

# DSVP11NHP



## DSVP11NHP DISPENSE VALVE

2-Way, direct-acting, solenoid valve designed to dispense water or similar media from 0 to 25 psi.

### Applications

- Hot & Cold drink dispensers
- Tank or boiler draining
- Potable water applications

### Features

- Multiple port options
- Multiple bracket options
- Able to dispense from 0 - 25 psi.

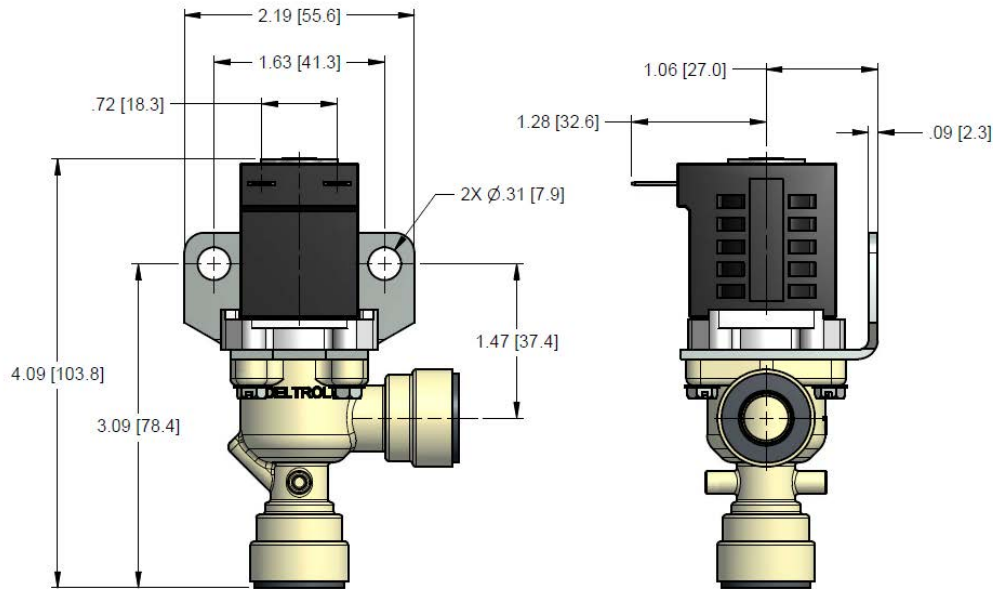


Electrical Specifications	
Coil Voltages	12, 24, 36 VDC
Coil Power	11W Cont
Coil Terminals	0.25" x 0.03" spade terminals (See additional options on page 5)
Duty Cycle	100% (Continuous)
Coil Treatment	Polyester encapsulated
Insulation Class	Class F (155° C)
Ambient Temperature	35° C max.
Mechanical Specifications	
Media	Water up to 99° C with Polysulfone body   77° C with Noryl <sup>®</sup> and Nylon bodies
Operating Pressure	0-25 psi facing up
Operating Position	Facing up
Cv (Flow Coefficient)	2.0
Mounting Bracket	See options on page 3
Inlet / Outlet Connections	See options on page 2
Valve Body Material	PSU - Polysulfone, PPE - Noryl <sup>®</sup> , PA66 - Nylon
Diaphragm Material	LSR - Liquid Silicone Rubber
Weight	8.0 oz.
Agency Approvals	
UR, cUR, NSF, (Agency approvals do not apply to every valve configuration)	

# DSVP11NHP

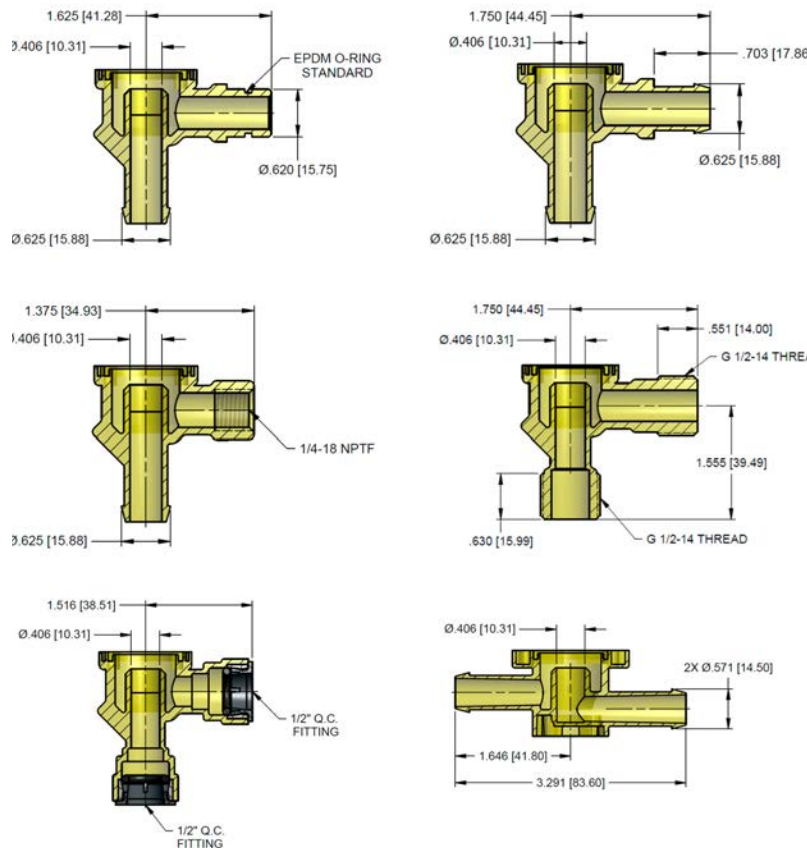
## Dimensional View

Units: Inches [mm]



## Valve Body Options

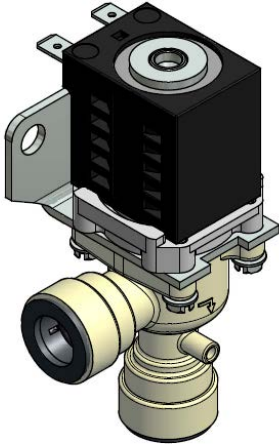
Units: Inches [mm]



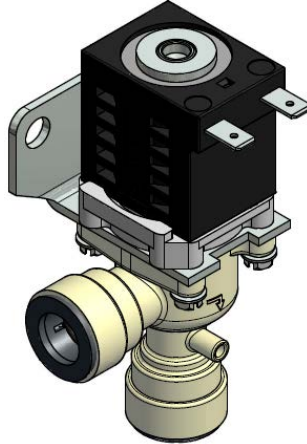
# DSVP11NHP

## Coil Terminal Position Options

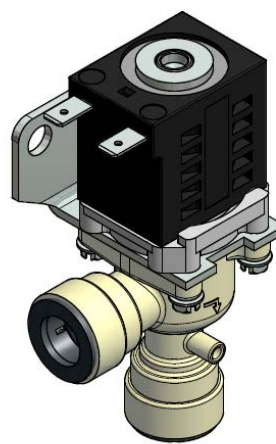
Left of inlet port



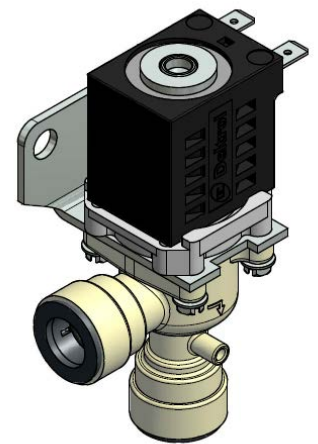
Right of inlet port



Over inlet port

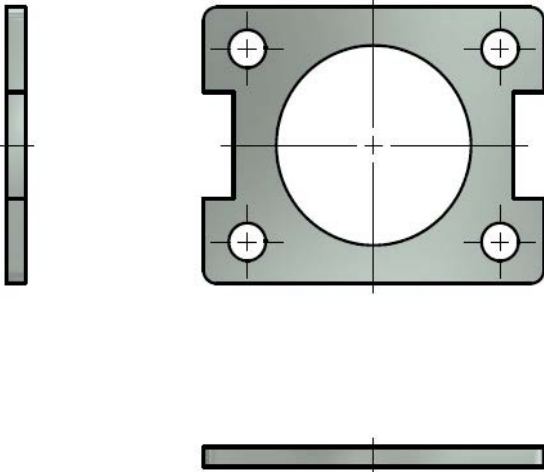


Opposite inlet port

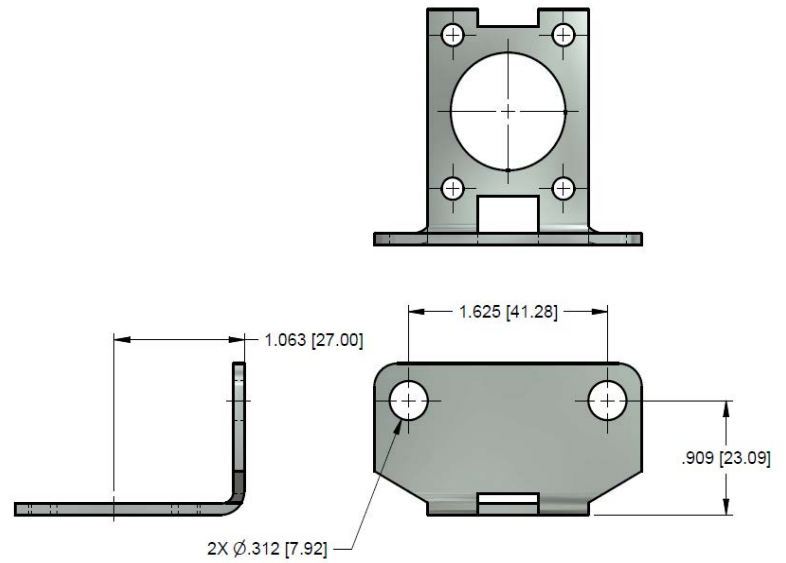


## Mounting Bracket Options

Units: Inches [mm]



#1 SPACER - NO MTG HOLES



#10L LEFT OVER INLET PORT  
#10R RIGHT OF INLET PORT

# DSVP11NHP

## Alternate Coil Options

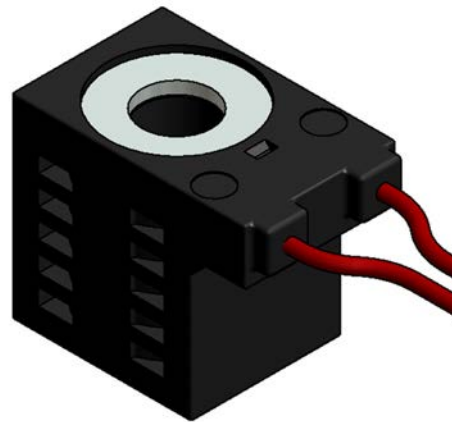
The coil termination options below are now available for our DSVP11 valve. Benefits include expanded connection options, improved ingress protection, and improved corrosion resistance.

### ISO 4400 (DIN 43650 FORM A)



- IP-67 Rating
- Encapsulated class F (155° C) coil construction

### MOLDED-IN 20 GA LEAD WIRES



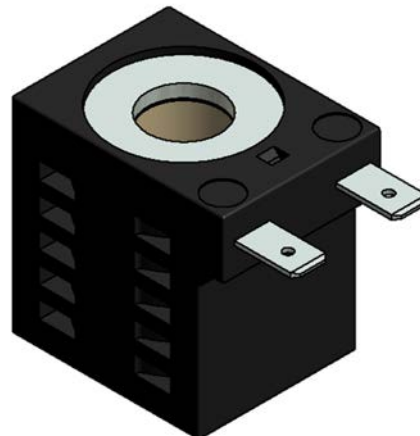
- Connectors can be assembled to lead wires
- Encapsulated class F (155° C) coil construction

### DEUTSCH DT04-2P



- IP-69 Rating
- Encapsulated class F (155° C) coil construction

### QUICK CONNECT 1/4" SPADE TERMINALS



- Encapsulated class F (155° C) coil construction