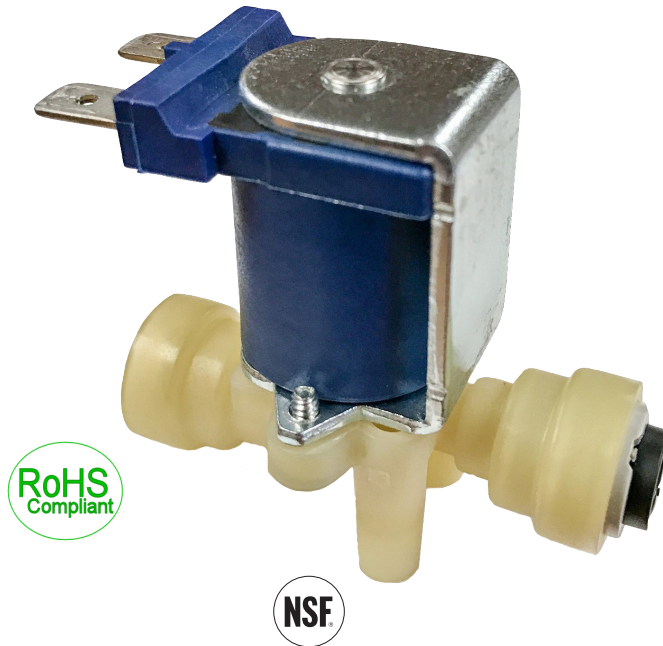


DSV28N-NC-S

2-WAY SOLENOID STEAM VALVE

2-way normally closed solenoid valve with wet plunger design.



Applications

- Beverage machines
- Vending equipment
- Water purification equipment
- Potable water applications

Features

- Up to 44 psi MOPD
- Push in fitting
- NSF certified
- Polyphthalamide body
- Class F (155°C) construction
- Suitable for water, air and steam

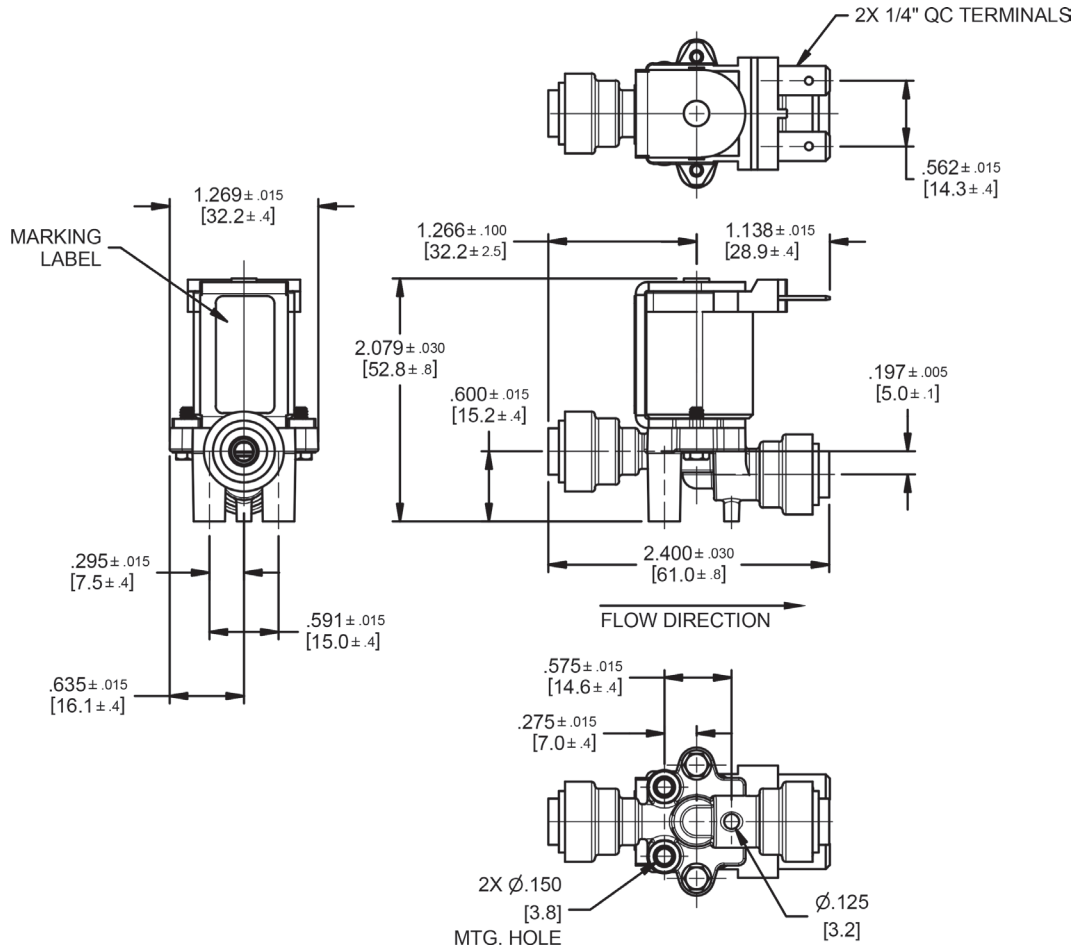
Electrical Specifications	
Coil Voltages	12, 24, 36 VDC
Coil Power	7 watts
Coil Terminals	0.25" Quick connect spade terminals
Duty Cycle	Continuous 100%
Coil Treatment	Polyester encapsulated
Insulation Class	Class F 311° F [155° C]
Ambient Temperature	77° F [25° C]
Mechanical Specifications	
Media	Water, air, steam [1]
Media Temperature	Up to 291°F [144° C] for QC fittings
Operating Pressure	44 psi [3 bar]
Burst Pressure	450 psi
Inlet / Outlet Connections (See page 5 for tube size and assy notes)	0.25" quick connect push in fittings
Mounting	2 Ø0.15 [3.8] holes on body for self tapping screw, 3/4-16 UNF-2A bulkhead mount option
Valve Body Material	PPA - Polyphthalamide
Seal Material	Fluorocarbon
Product Weight	4 oz.
Agency Certifications	
	NSF

[1] Saturated steam up to 44 PSI [3 bar]; 291°F [144° C]

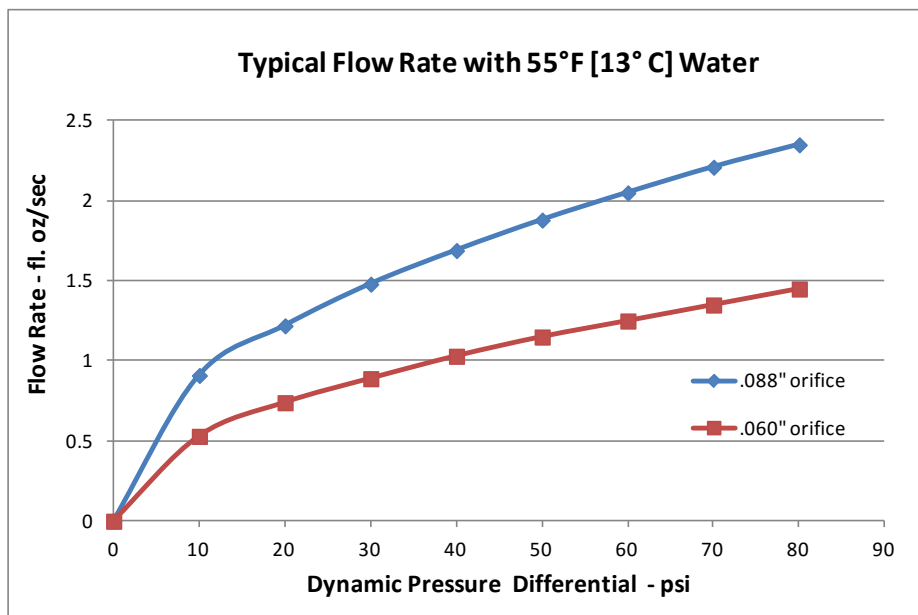
DSV28N-NC-S

Dimensional Drawing

Units: Inches [mm]



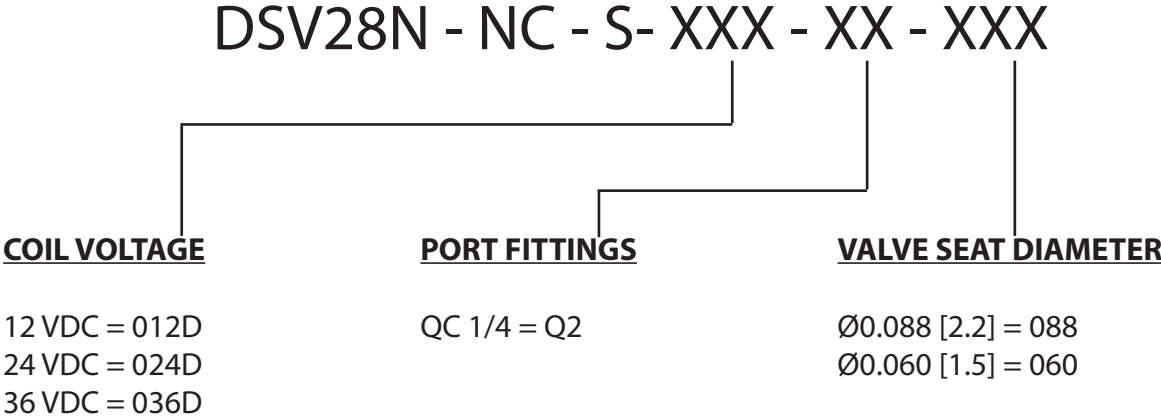
Flow Rate



DSV28N-NC-S



Ordering Information



DSV28N-NC-S



The cartridges used in these valves are Kynar cartridges.

Operating Temp:

+35° to 210° F [291° F to 144° C for Steam]

Tube Types:

Plastic Tube - Polyethylene, nylon, and polyurethane conforming to the tolerances below. For soft or thin walled tube we recommend the use of tube inserts. Not approved for steam.

Metal Tube (soft) - Brass, copper, or mild steel conforming to the tolerance shown below. Recommended for steam. Hard metal tubing is not recommended.

It is essential that the outside diameter is free from score marks and that the tube be deburred before inserting into the cartridges.

Tube Tolerances:

Size: 0.25"

Tolerance: +0.001/-0.004

Cleaners and Sanitizing of Kynar Fittings:

Cartridges incorporate kynar parts. Our advise to customers is to use cleaners and sanitizing agents that are above pH4 and low in hypochlorite level. Kynar fittings and parts that are cleaned and/ or sanitized should be rinsed immediately with copious amounts of clean tap water to remove all traces of the cleaners.

Warranty:

While we give a warranty against defects in manufacture or materials, it is the responsibility of the specifier to ensure that fittings and related products are suitable for their application. The installation must be carried out correctly in accordance with our recommendations complying with recognized codes of practice and relevant national standards, and be properly maintained. Please refer to our terms and conditions of sale.

Product Selection:

Due to the wide variety of operating conditions, applications, and uses of our products, it is the user's / specifiers responsibility, through their own testing analysis, to ensure correct product selection for their applications.

Side Loads:

Connections should not be subject to excessive side loads or used as support brackets. Tubing and fittings should be adequately supported to prevent excessive side loading.

Customers are advised to carry out appropriate testing to ensure cartridges are suitable for their application.