

# DSVP11N



## DSVP11N DISPENSE VALVE

2-Way, direct-acting, gravity fed solenoid valve designed to dispense water or similar media from a tank.

### Applications

- Hot & cold drink dispensers
- Tank or boiler draining
- Ice maker equipment
- Water purification equipment
- Potable water applications

### Features

- UR, cUR, NSF, & CE Cert.
- Up to 3 psi differential
- Multiple port options
- Multiple bracket options
- Rectified AC coils [1]
- Fixed or adjustable flow
- Normally open version available



Electrical Specifications	
Coil Voltages	24, 110/120, 220/240 VAC 50/60 Hz [1]   12, 24, 36 VDC
Coil Power	AC valves 12W Cont   DC valves 11W Cont
Coil Terminals	0.25" x 0.03" spade terminals (See additional options on page 5)
Coil Rectification	All AC coils are rectified - Full and half wave options available
Duty Cycle	100% (Continuous)
Coil Treatment	Polyester encapsulated
Insulation Class	Class F (155° C)
Ambient Temperature	35° C max
Mechanical Specifications	
Media	Water up to 99° C with Polysulfone   77° C with Nylon body
Operating Pressure	0-12 inches water column (up to 3 psi available upon request)
Operating Position	Any position between horizontal and facing up.
Mounting Bracket	See options on page 4
Inlet / Outlet Connections	See options on page 2
Vent Tube Option	See options on page 3
Valve Body Material	PSU - Polysulfone, PA66 - Nylon
Diaphragm Material	VMQ - Silicone
Weight	8.0 oz.
Agency Approvals	
UR, cUR, NSF, CE (Agency approvals do not apply to every configuration) [2]	

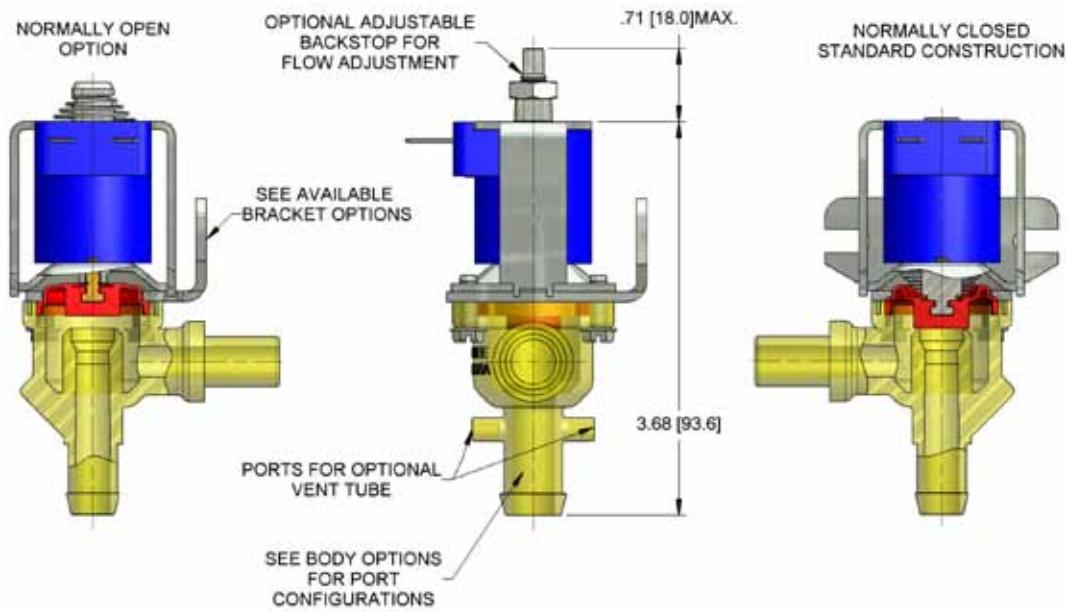
[1] AC coils are internally rectified. The rectifiers may require protection from transient voltages. It is recommended that a metal-oxide varistor (MOV) be placed in parallel at the coil.

[2] The CE Mark on Deltrol components indicates that the component is designed for use in a product required to comply with CE marking directives; certification to the LVD directive is only practical once the component is fully integrated into a finished product under the scope of either directive.

# DSVP11N

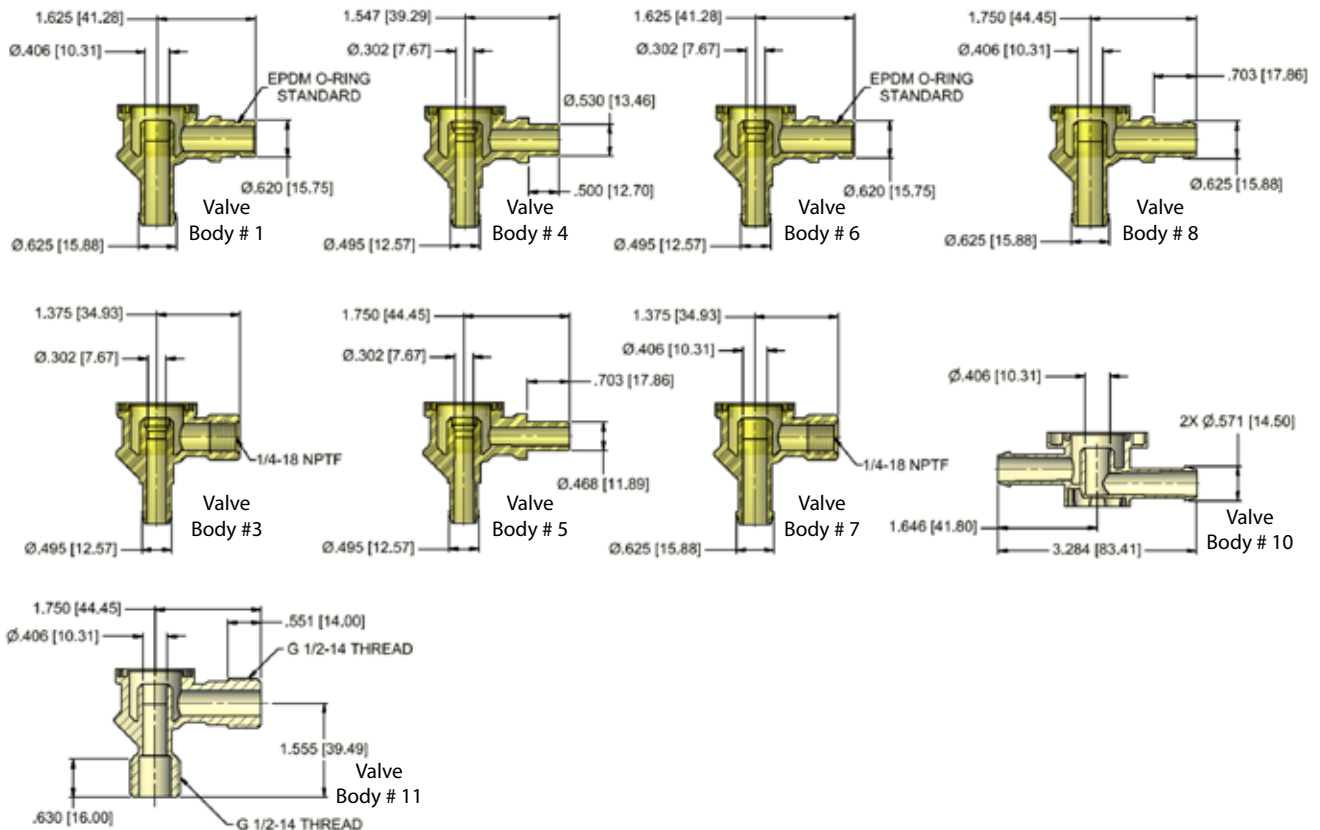
## Dimensional View

Units: Inches [mm]

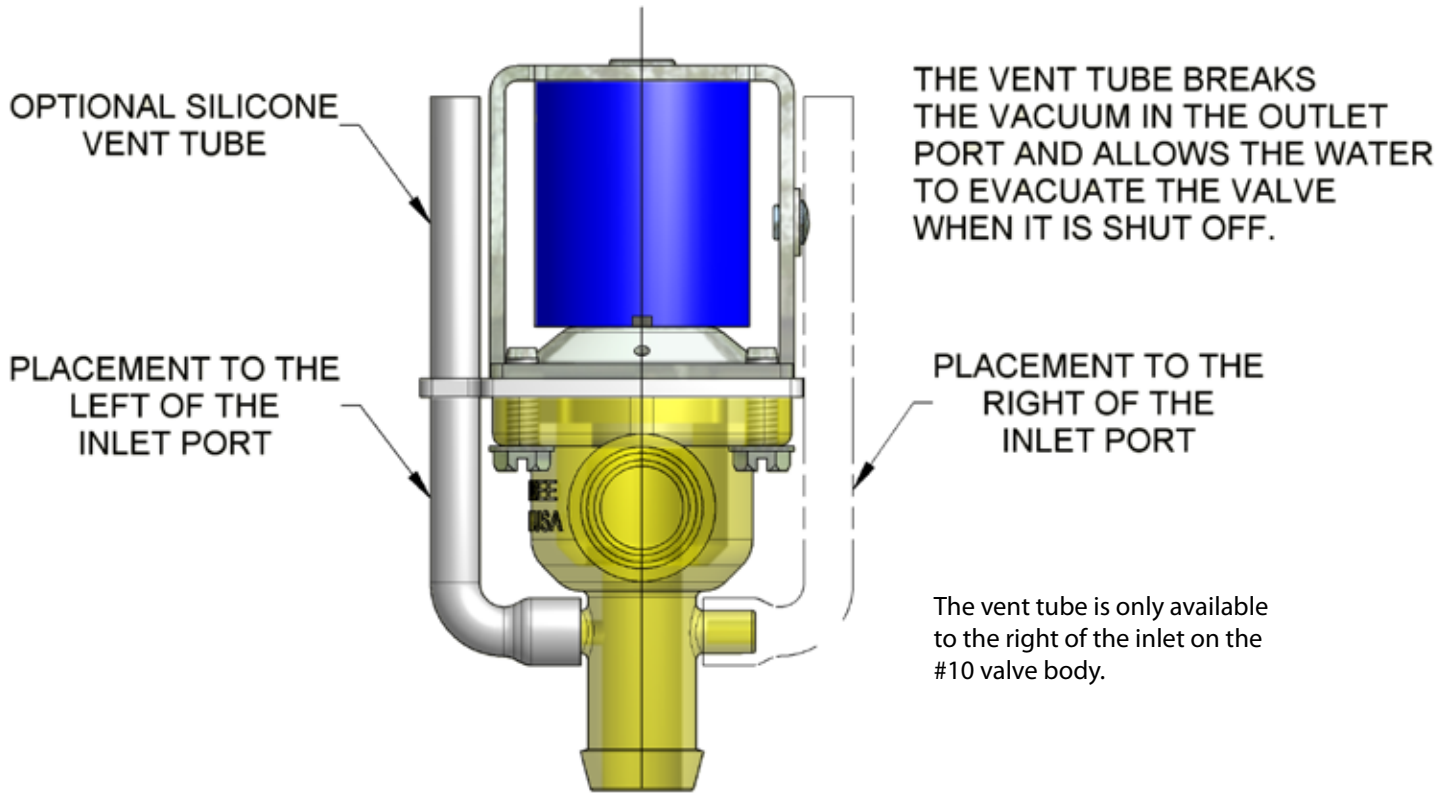


## Valve Body Options

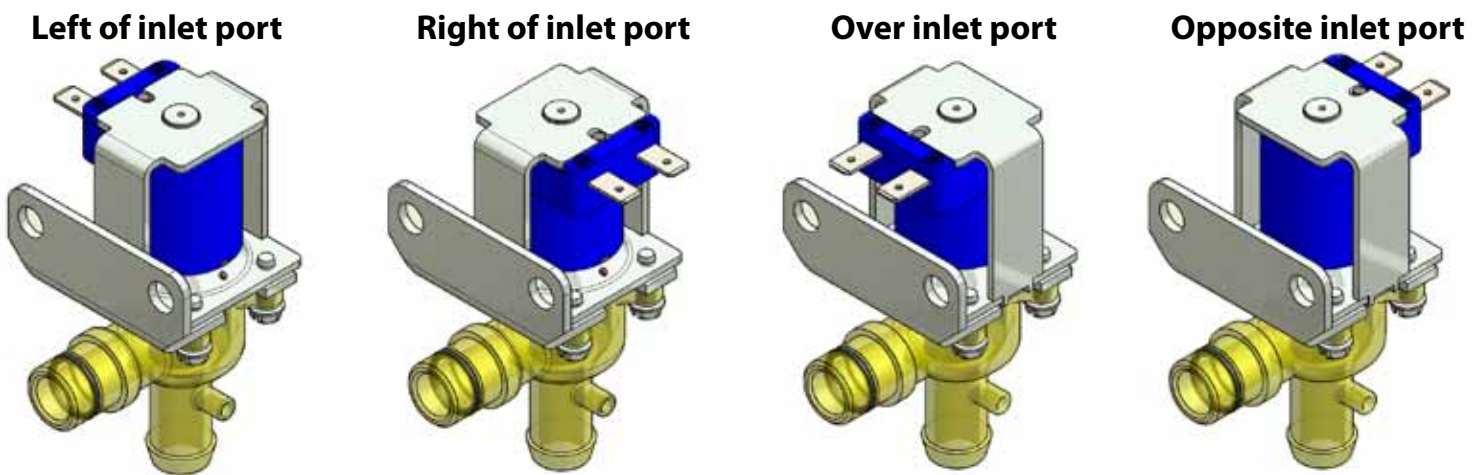
Units: Inches [mm]



## Vent Tube Options

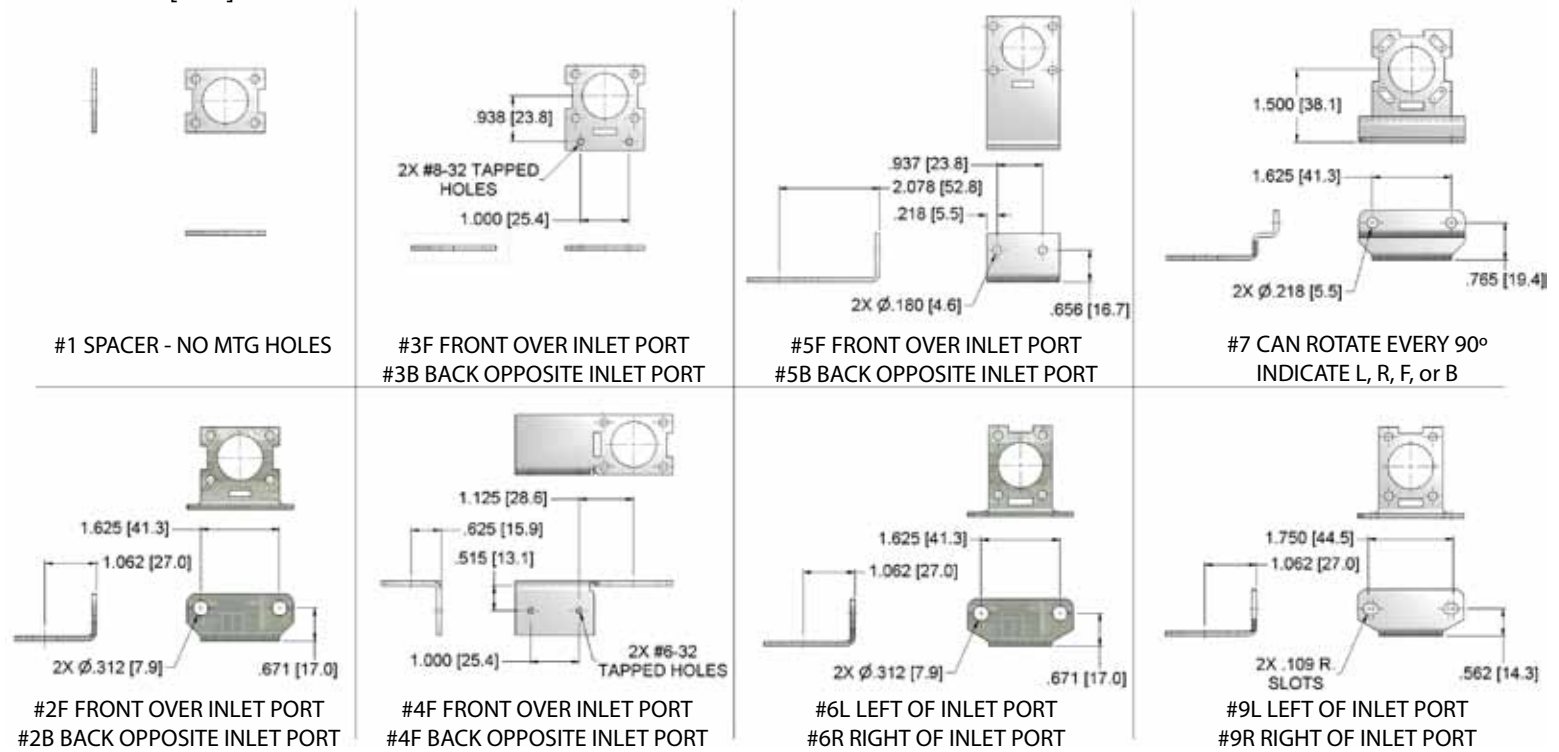


## Coil Terminal Position Options



## Mounting Bracket Options

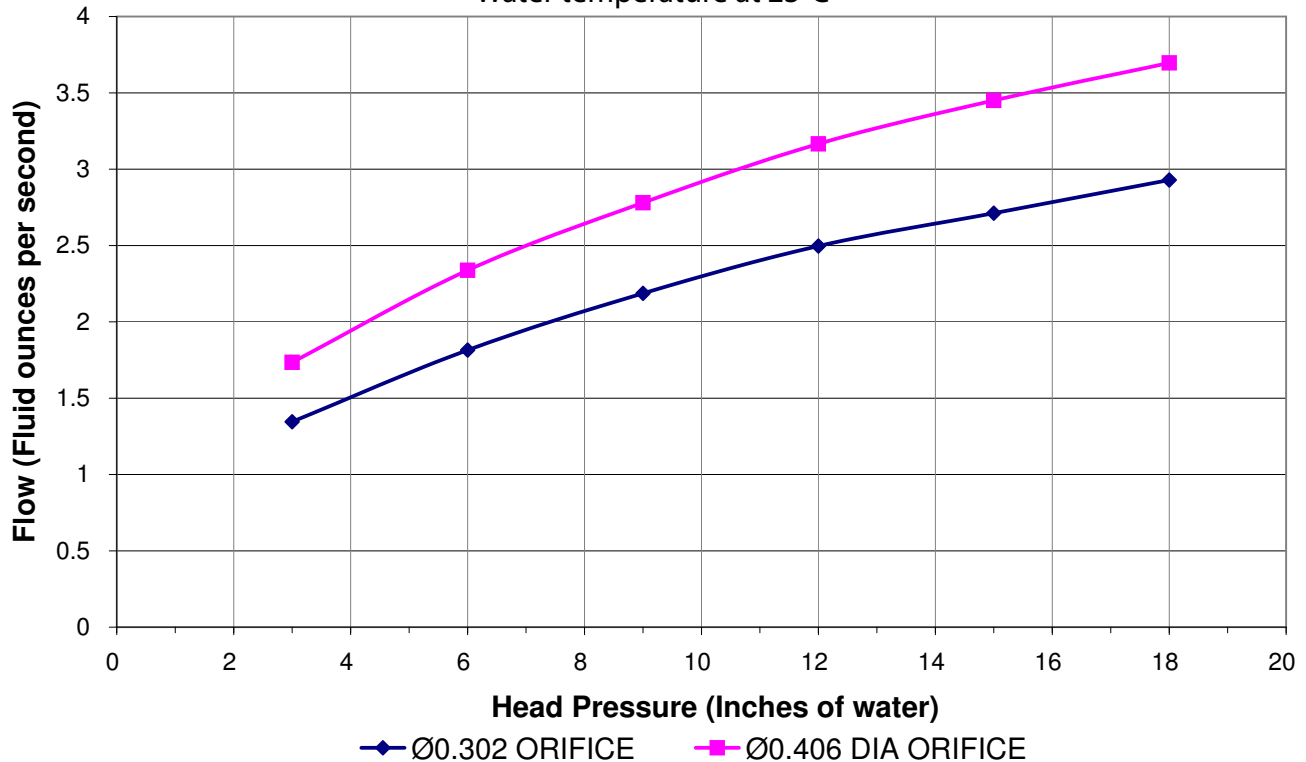
Units: Inches [mm]



## Flow Data

Flow data is approximate and will be affected by application variables.  
User must verify performance in their application.

Water temperature at 23°C



## Alternate Coil Options

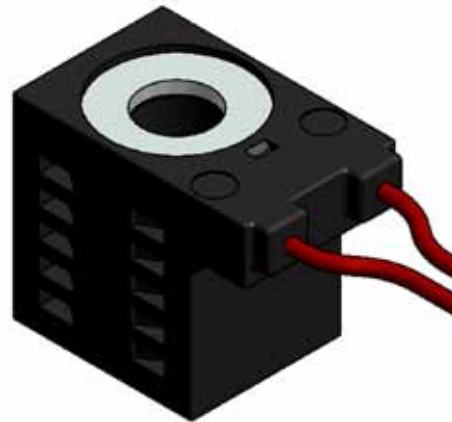
The coil termination options below are now available for our DSVP11N valve. Benefits include expanded connection options, improved ingress protection, and improved corrosion resistance.

### ISO 4400 (DIN 43650 FORM A)



- IP-67 Rating
- Encapsulated class F (155° C) coil construction

### MOLDED-IN 20 GA LEAD WIRES



- Connectors can be assembled to lead wires
- Encapsulated class F (155° C) coil construction

### DEUTSCH DT04-2P



- IP-69 Rating
- Encapsulated class F (155° C) coil construction

### QUICK CONNECT 1/4" SPADE TERMINALS



- Encapsulated class F (155° C) coil construction

## Ordering Information - Non-Standard Configurations

(Minimum Quantities Apply)

When ordering, please provide as much of the following information as possible to help specify the appropriate valve configuration for your application. If you require assistance, please contact a Deltrol Controls Sales Engineer:

1. What voltage will be supplied to the valve?
  - 12VDC • 24VAC 50/60Hz
  - 24VDC • 110/120VAC 50/60Hz
  - 36VDC • 220/240VAC 50/60Hz
2. Do you require fixed or adjustable flow? (See Dimensional View on page 2)
  - Fixed • Adjustable
3. What valve body option does your application require? (See Valve Body Options on page 2)
  - #1, #3, #4, #5, #6, #7, #8, #10, #11 (indicate Polysulfone or Nylon)
4. Do you require a vent tube? (See Vent Tube Options on page 3)
  - No • Yes, left of inlet port • Yes, right of inlet port
5. How do you want the coil terminals oriented? (See Coil Terminal Orientation Options on page 3)
  - Left of inlet port • Right of inlet port
  - Over inlet port • Opposite inlet port
6. What coil spade terminal configuration will your application require?
  - Straight, as shown in the Dimensional View on page 2
  - Bent up (either 45° or 90°), away from valve body
  - Bent down (either 45° or 90°), toward valve body
7. What type of mounting bracket do you require? (See Mounting Bracket Options on page 4)
  - #1, #2F, #2B, #3F, #3B, #4F, #4B, #5F, #5B, #6L, #6R, #7(L,R,F,B), #9L, or #9R
8. What is the head pressure in your application in inches of water column?
9. Do you require an alternate coil option shown on page 5?
  - ISO 4400 (DIN 43650 Form A) • Molded-in lead wires
  - Deutsch DT04-2P • 1/4" spade terminals

## Ordering Information - Standard Configurations

The parts listed below are standard configurations that are typically available through distribution. Please contact your nearest Deltrol distributor for small volume pricing.

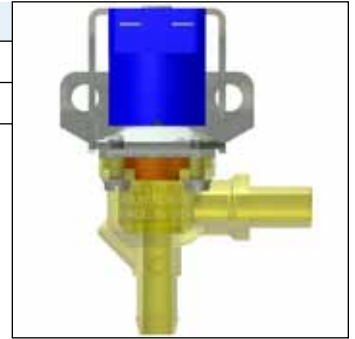
Part Number	Model	Voltage
70032-80	DSVP11N-1PX-8SL-6R5	24 VDC
70033-80	DSVP11N-1PX-8SL-6R5	110/120 VAC 50/60 HZ
70033-81	DSVP11N-1PX-8SL-6R5	220/240 VAC 50/60 HZ

- COIL TERMINATION: 0.25x0.03 TERMINALS (ORIENTED TO LEFT OF INLET PORT)
- FIXED FLOW
- VALVE BODY #1 - SEE PAGE 2 FOR DETAILS
- NO VENT TUBE
- VALVE BODY MATERIAL: PSU - POLYSULFONE
- DIAPHRAGM MATERIAL: VMQ - SILICONE
- #6 BRACKET - SEE PAGE 4 FOR DETAILS (ORIENTED TO RIGHT OF INLET PORT)
- AC COILS ARE INTERNALLY RECTIFIED



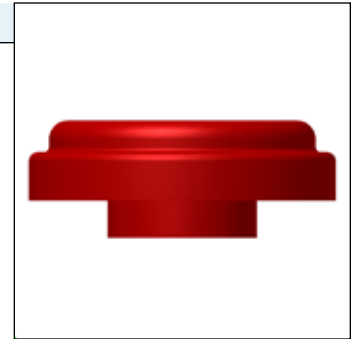
Part Number	Model	Voltage
70034-80	DSVP11N-5PX-8SL-6R5	24 VDC
70035-80	DSVP11N-5PX-8SL-6R5	110/120 VAC 50/60 HZ
70035-81	DSVP11N-5PX-8SL-6R5	220/240 VAC 50/60 HZ

- COIL TERMINATION: 0.25x0.03 TERMINALS (ORIENTED TO LEFT OF INLET PORT)
- FIXED FLOW
- VALVE BODY #5 - SEE PAGE 2 FOR DETAILS
- NO VENT TUBE
- VALVE BODY MATERIAL: PSU - POLYSULFONE
- DIAPHRAGM MATERIAL: VMQ - SILICONE
- #6 BRACKET - SEE PAGE 4 FOR DETAILS (ORIENTED TO RIGHT OF INLET PORT)
- AC COILS ARE INTERNALLY RECTIFIED



Part Number	Description
70043-09	SILICONE DIAPHRAGM

- SILICONE MATERIAL FOR POTABLE WATER APPLICATIONS



For other part inquiries please call our factory.