



DSVP11 DISPENSE VALVE

2-Way, direct-acting, gravity fed solenoid valve designed to dispense water or similar media from a tank.

Applications

- Floor scrubbers
- Tank or boiler draining
- Not for potable water applications
- For potable water applications, see our DSVP11N valve

Features

- UR, cUR, & CE Cert.
- Up to 3 psi differential
- Multiple port options
- Multiple bracket options
- Rectified AC coils [1]
- Fixed or adjustable flow
- Normally open version available



Electrical Specifications	
Coil Voltages	24, 110/120, 220/240 VAC 50/60 Hz [1] 12, 24, 36 VDC
Coil Power	AC valves 12W Cont DC valves 11W Cont
Coil Terminals	0.25" x 0.03" spade terminals (See additional options on page 5)
Coil Rectification	All AC coils are rectified - Full and half wave options available
Duty Cycle	100% (Continuous)
Coil Treatment	Polyester encapsulated
Insulation Class	Class F (155° C)
Ambient Temperature	35° C max.
Mechanical Specifications	
Media	Water up to 99° C with Polysulfone 77° C with Nylon body
Operating Pressure	0-12 inches water column (up to 3 psi available upon request)
Operating Position	Any position between horizontal and facing up
Mounting Bracket	See options on page 4
Inlet / Outlet Connections	See options on page 2
Vent Tube Option	See options on page 3
Valve Body Material	PA66 - Nylon
Diaphragm Material	FKM - Viton®, VMQ - Silicone
Weight	8.0 oz.
Agency Approvals	
UR, cUR, CE (Agency approvals do not apply to every configuration) [2]	

[1] AC coils are internally rectified. The rectifiers may require protection from transient voltages. It is recommended that a metal-oxide varistor (MOV) be placed in parallel at the coil.

[2] The CE Mark on Deltrol components indicates that the component is designed for use in a product required to comply with CE marking directives; certification to the LVD directive is only practical once the component is fully integrated into a finished product under the scope of either directive.

VITON® is a registered trademark of DuPont

Specifications subject to change without notice

1 of 9

Rev 08/10/12

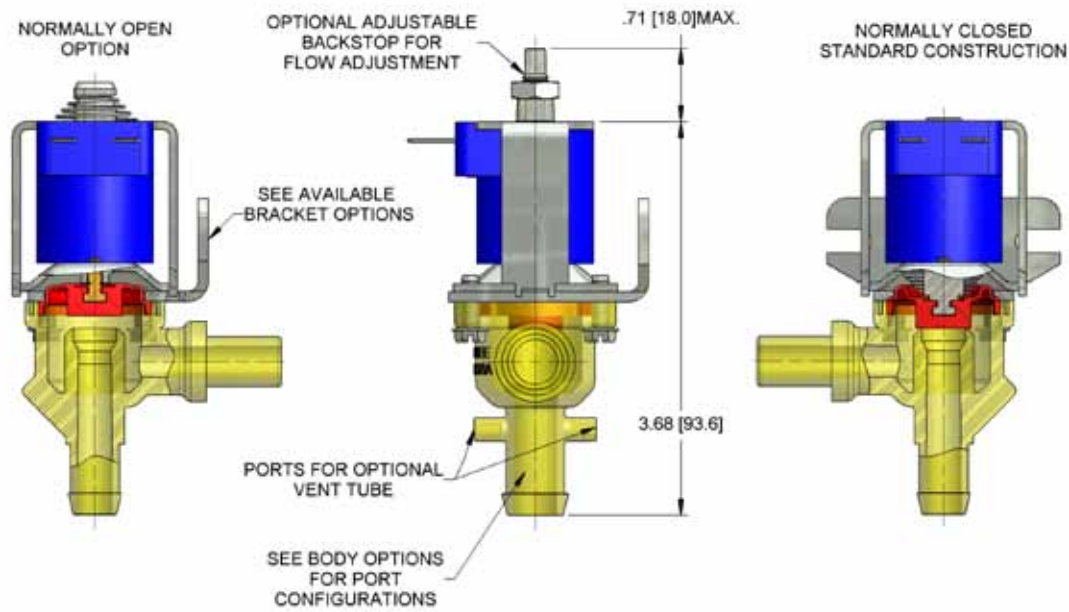
©2011 Deltrol Controls - A Division of Deltrol Corp.

2740 South 20th Street Milwaukee, WI 53215 USA | P: 414.671.6800 | F: 414.671.6809 | www.deltrol-controls.com | sales@deltrol.com

DSVP11

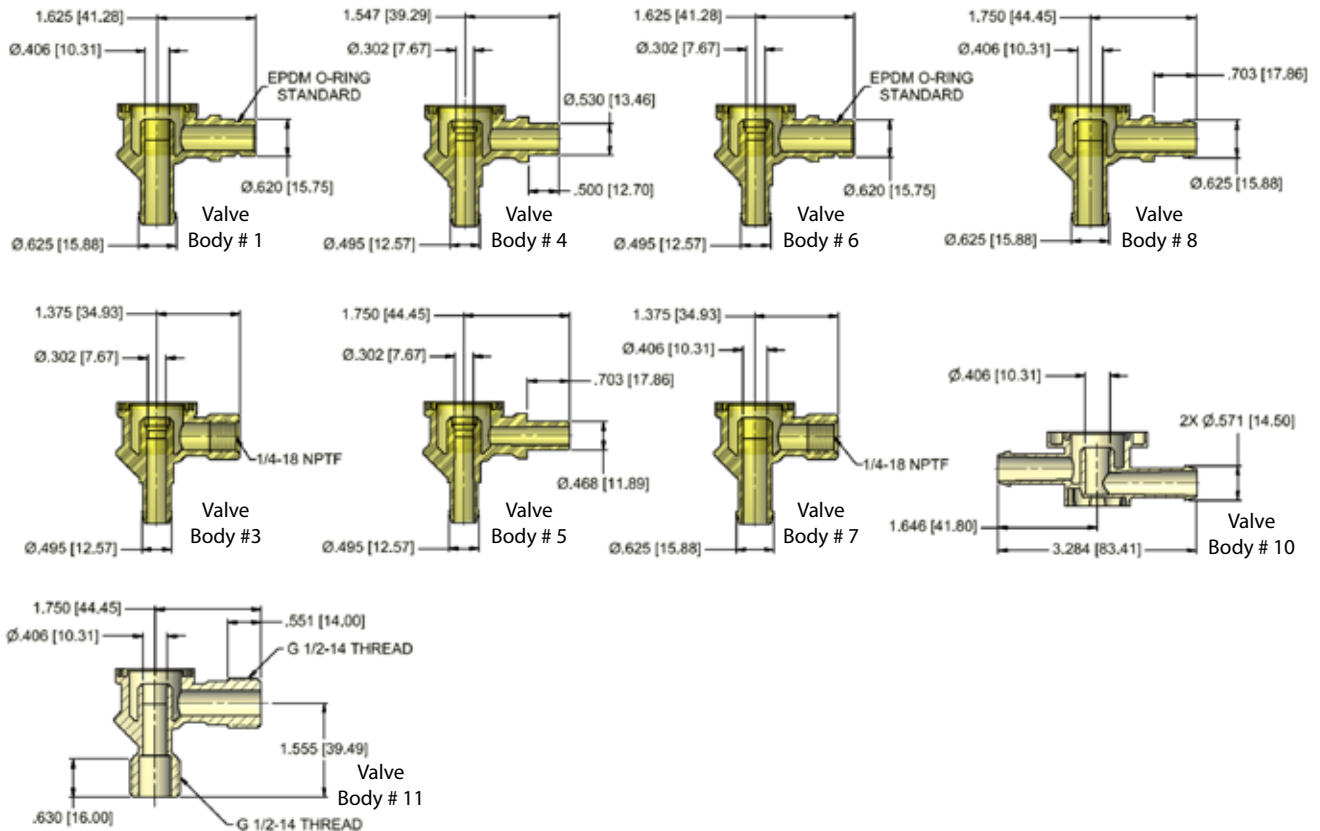
Dimensional View

Units: Inches [mm]

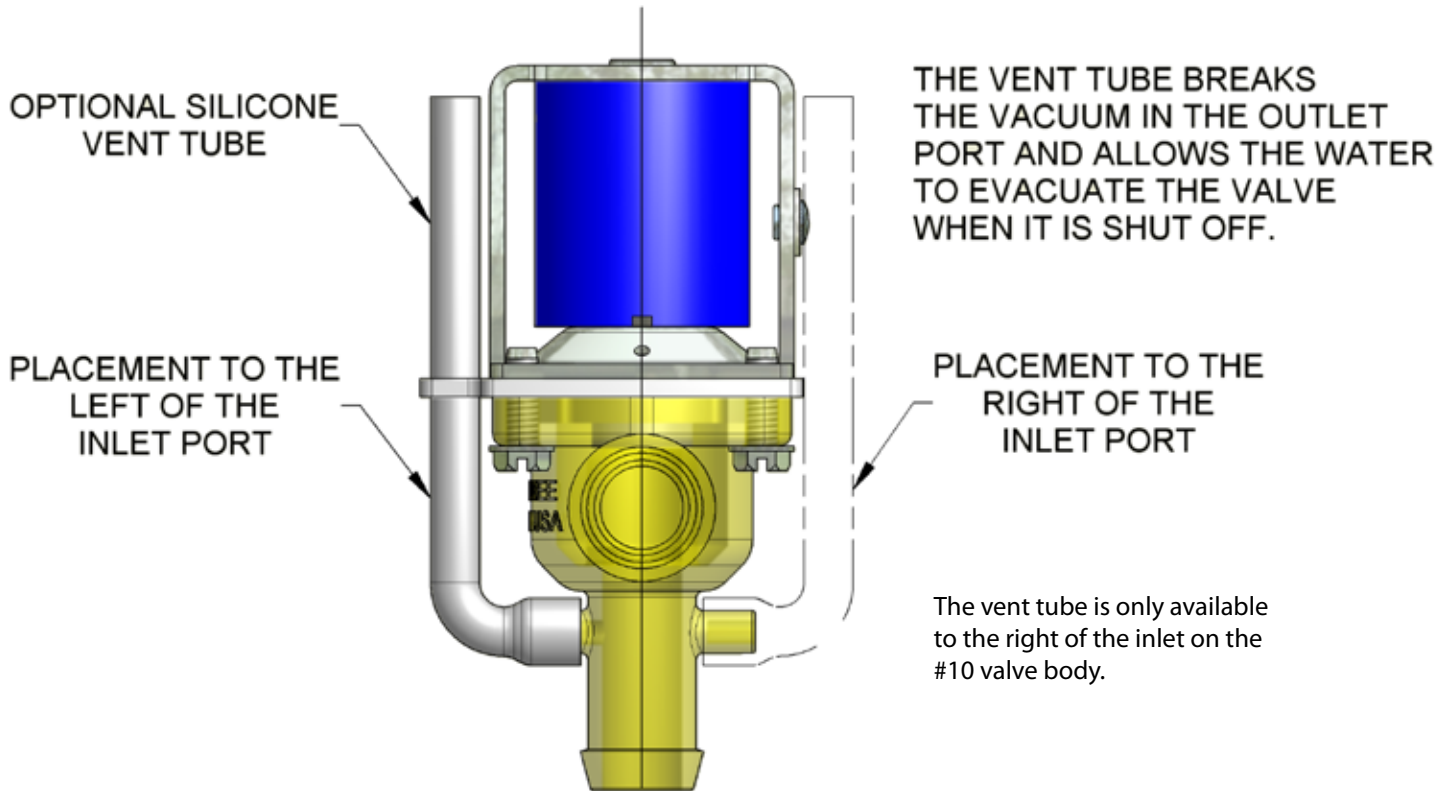


Valve Body Options

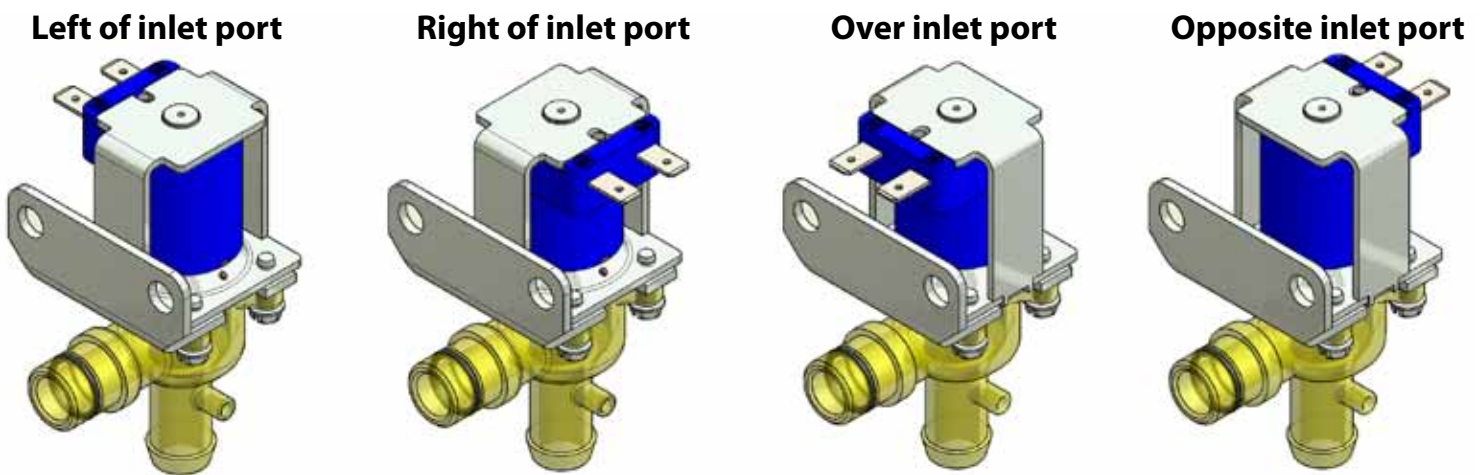
Units: Inches [mm]



Vent Tube Options

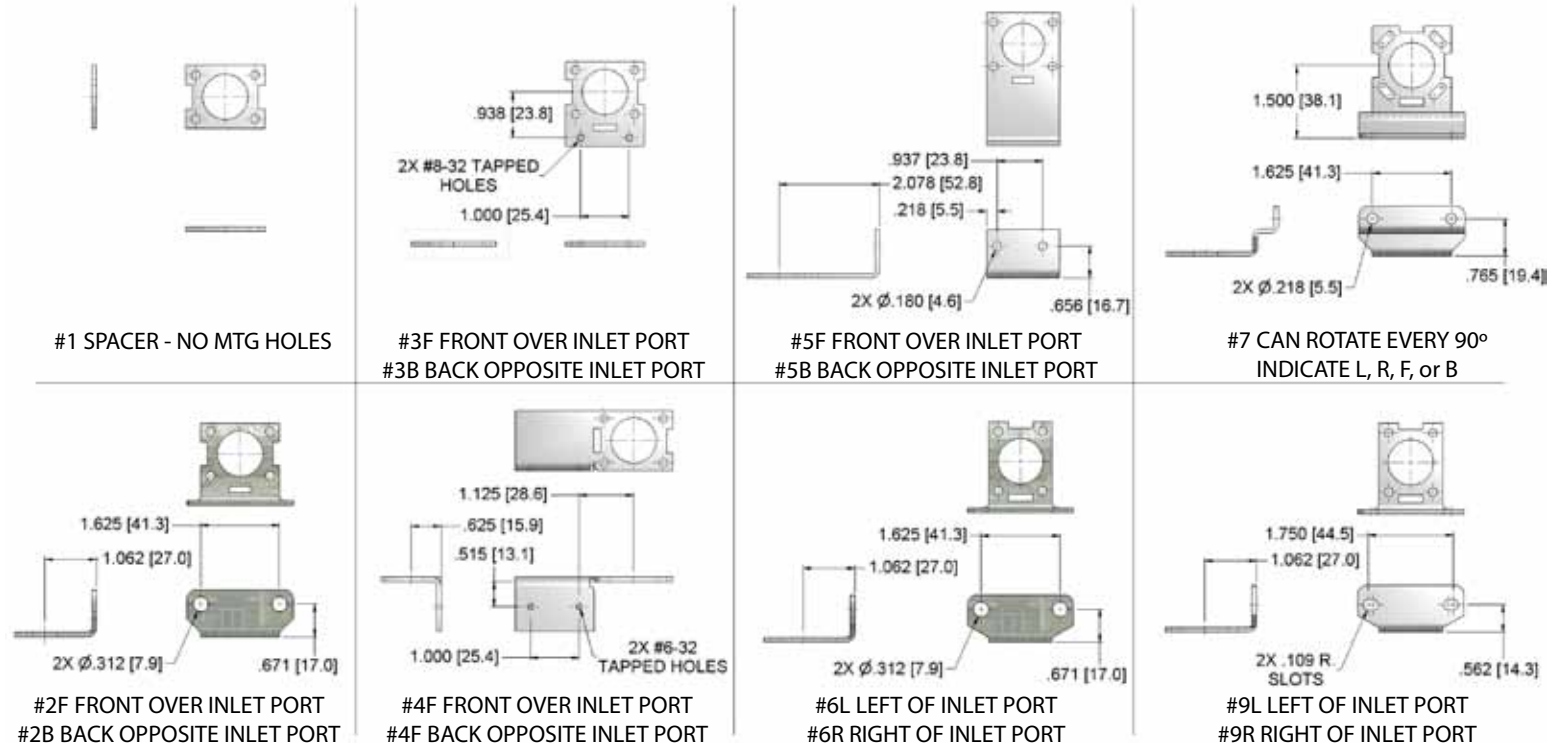


Coil Terminal Position Options



Mounting Bracket Options

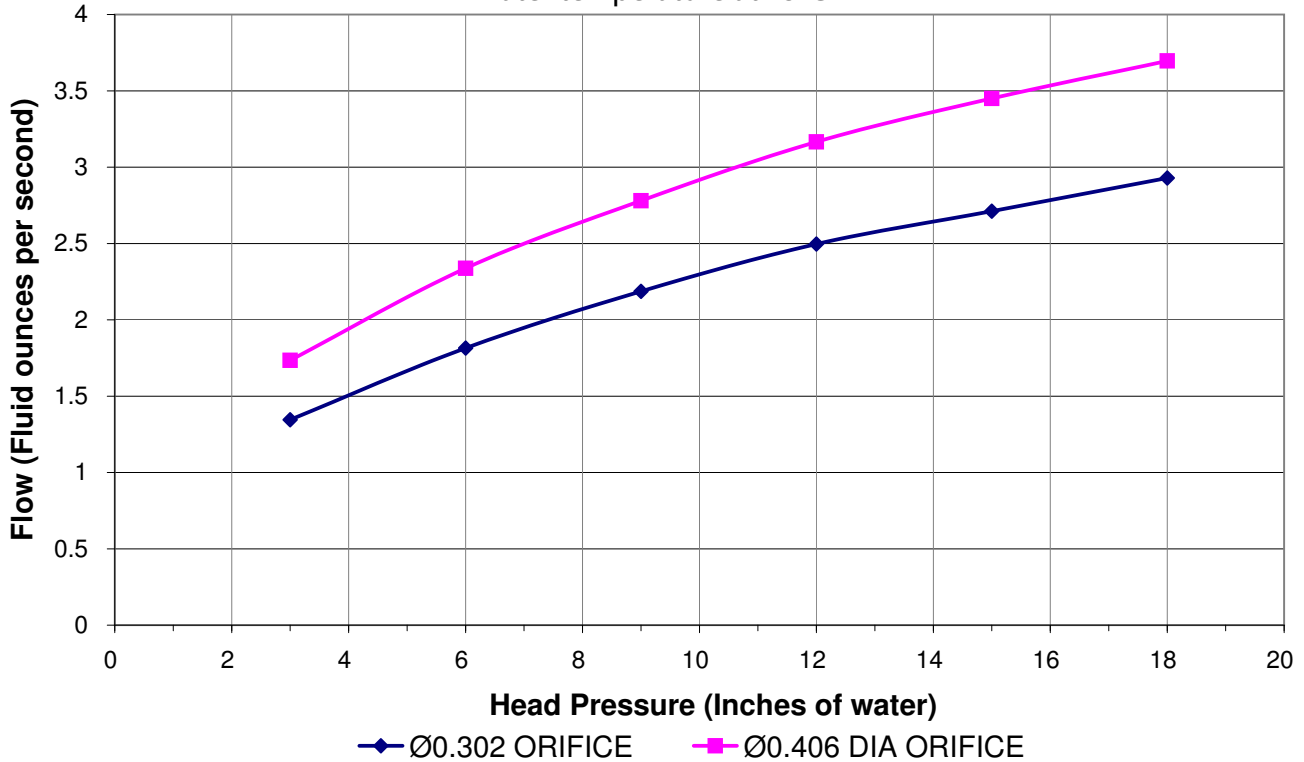
Units: Inches [mm]



Flow Data

Flow data is approximate and will be affected by application variables.
User must verify performance in their application.

Water temperature at 23°C



Alternate Coil Options

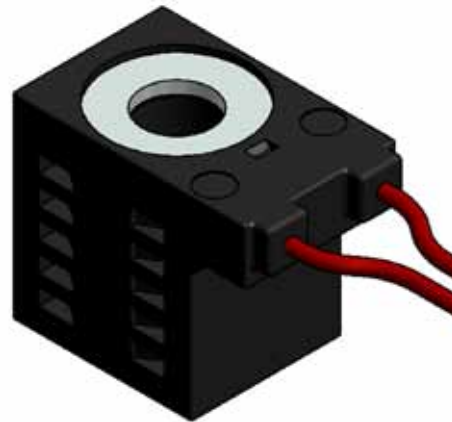
The coil termination options below are now available for our DSVP11 valve. Benefits include expanded connection options, improved ingress protection, and improved corrosion resistance.

ISO 4400 (DIN 43650 FORM A)



- IP-67 Rating
- Encapsulated class F (155° C) coil construction

MOLDED-IN 20 GA LEAD WIRES



- Connectors can be assembled to lead wires
- Encapsulated class F (155° C) coil construction

DEUTSCH DT04-2P



- IP-69 Rating
- Encapsulated class F (155° C) coil construction

QUICK CONNECT 1/4" SPADE TERMINALS



- Encapsulated class F (155° C) coil construction

Ordering Information - Non-Standard Configurations

(Minimum Quantities Apply)

When ordering, please provide as much of the following information as possible to help specify the appropriate valve configuration for your application. If you require assistance, please contact a Deltrol Controls Sales Engineer:

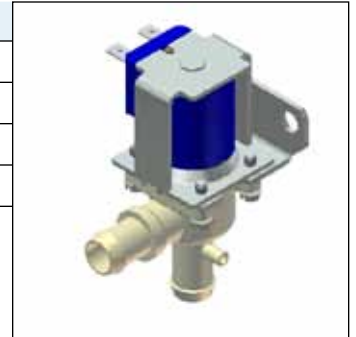
1. What voltage will be supplied to the valve?
 - 12VDC • 24VAC 50/60Hz
 - 24VDC • 110/120VAC 50/60Hz
 - 36VDC • 220/240VAC 50/60Hz
2. Do you require fixed or adjustable flow? (See Dimensional View on page 2)
 - Fixed • Adjustable
3. What valve body option does your application require? (See Valve Body Options on page 2)
 - #1, #3, #4, #5, #6, #7, #8, #10, #11 (indicate Polysulfone or Nylon)
4. Do you require a vent tube? (See Vent Tube Options on page 3)
 - No • Yes, left of inlet port • Yes, right of inlet port
5. How do you want the coil terminals oriented? (See Coil Terminal Orientation Options on page 3)
 - Left of inlet port • Right of inlet port
 - Over inlet port • Opposite inlet port
6. What coil spade terminal configuration will your application require?
 - Straight, as shown in the Dimensional View on page 2
 - Bent up (either 45° or 90°), away from valve body
 - Bent down (either 45° or 90°), toward valve body
7. What type of mounting bracket do you require? (See Mounting Bracket Options on page 4)
 - #1, #2F, #2B, #3F, #3B, #4F, #4B, #5F, #5B, #6L, #6R, #7(L,R,F,B), #9L, or #9R
8. What is the head pressure in your application in inches of water column?
9. Do you require an alternate coil option shown on page 5?
 - ISO 4400 (DIN 43650 Form A) • Molded-in lead wires
 - Deutsch DT04-2P • 1/4" spade terminals

Ordering Information - Standard Configurations

The parts listed below are standard configurations that are typically available through distribution. Please contact your nearest Deltrol distributor for small volume pricing.

Part Number	Model	Voltage
70039-80	DSVP11-8PX-8SL-2B5	12 VDC
70039-81	DSVP11-8PX-8SL-2B5	24 VDC
70039-82	DSVP11-8PX-8SL-2B5	36 VDC
70040-81	DSVP11-8PX-8SL-2B5	110/120 VAC 50/60 HZ
70040-82	DSVP11-8PX-8SL-2B5	220/240 VAC 50/60 HZ

- COIL TERMINATION: 0.25x0.03 TERMINALS (ORIENTED TO LEFT OF INLET PORT)
- FIXED FLOW
- VALVE BODY #8 - SEE PAGE 2 FOR DETAILS
- NO VENT TUBE
- VALVE BODY MATERIAL: PA66 - NYLON
- DIAPHRAGM MATERIAL: FKM - VITON®
- #2 BRACKET - SEE PAGE 4 FOR DETAILS (ORIENTED TO BACK OF INLET PORT)
- AC COILS ARE INTERNALLY RECTIFIED



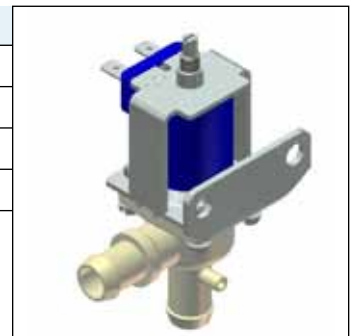
Part Number	Model	Voltage
70041-80	DSVP11-8PX-8SL-2B5-L	12 VDC
70041-81	DSVP11-8PX-8SL-2B5-L	24 VDC
70041-82	DSVP11-8PX-8SL-2B5-L	36 VDC
70042-81	DSVP11-8PX-8SL-2B5-L	110/120 VAC 50/60 HZ
70042-82	DSVP11-8PX-8SL-2B5-L	220/240 VAC 50/60 HZ

- COIL TERMINATION: ISO 4400 (DIN 43650 FORM A) (ORIENTED TO LEFT OF INLET PORT)
- FIXED FLOW
- VALVE BODY #8 - SEE PAGE 2 FOR DETAILS
- NO VENT TUBE
- VALVE BODY MATERIAL: PA66 - NYLON
- DIAPHRAGM MATERIAL: FKM - VITON®
- #2 BRACKET - SEE PAGE 4 FOR DETAILS (ORIENTED TO BACK OF INLET PORT)
- AC COILS ARE INTERNALLY RECTIFIED



Part Number	Model	Voltage
70043-80	DSVP11-8PX-7SL-6R5	12 VDC
70043-81	DSVP11-8PX-7SL-6R5	24 VDC
70043-82	DSVP11-8PX-7SL-6R5	36 VDC
70044-81	DSVP11-8PX-7SL-6R5	110/120 VAC 50/60 HZ
70044-82	DSVP11-8PX-7SL-6R5	220/240 VAC 50/60 HZ

- COIL TERMINATION: 0.25x0.03 TERMINALS (ORIENTED TO LEFT OF INLET PORT)
- ADJUSTABLE FLOW
- VALVE BODY #8 - SEE PAGE 2 FOR DETAILS
- NO VENT TUBE
- VALVE BODY MATERIAL: PA66 - NYLON
- DIAPHRAGM MATERIAL: VMQ - SILICONE
- #6 BRACKET - SEE PAGE 4 FOR DETAILS (ORIENTED TO RIGHT OF INLET PORT)
- AC COILS ARE INTERNALLY RECTIFIED



VITON® is a registered trademark of DuPont

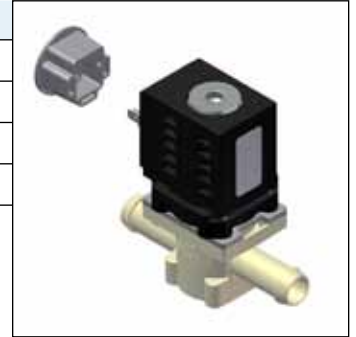
Specifications subject to change without notice

Ordering Information - Standard Configurations

The parts listed below are standard configurations that are typically available through distribution. Please contact your nearest Deltrol distributor for small volume pricing.

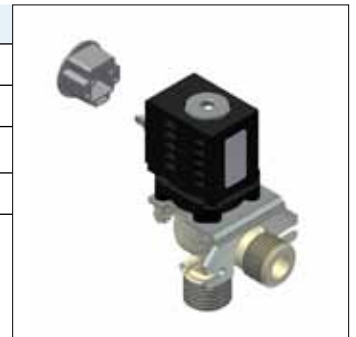
Part Number	Model	Voltage
70045-80	DSVP11-10PX-8SF-1X5-L	12 VDC
70045-81	DSVP11-10PX-8SF-1X5-L	24 VDC
70045-82	DSVP11-10PX-8SF-1X5-L	36 VDC
70046-81	DSVP11-10PX-8SF-1X5-L	110/120 VAC 50/60 HZ
70046-82	DSVP11-10PX-8SF-1X5-L	220/240 VAC 50/60 HZ

- COIL TERMINATION: ISO 4400 (DIN 43650 FORM A) (ORIENTED TO FRONT OF INLET PORT)
- VALVE BODY MATERIAL: PA66 - NYLON
- DIAPHRAGM MATERIAL: VMQ - SILICONE
- #1 SPACER - SEE PAGE 4 FOR DETAILS
- AC COILS ARE INTERNALLY RECTIFIED
- FIXED FLOW
- VALVE BODY #10 - SEE PAGE 2 FOR DETAILS
- NO VENT TUBE

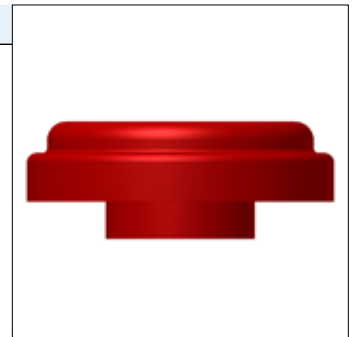


Part Number	Model	Voltage
70047-80	DSVP11-11PX-8SB-10F5-L	12 VDC
70047-81	DSVP11-11PX-8SB-10F5-L	24 VDC
70047-82	DSVP11-11PX-8SB-10F5-L	36 VDC
70048-81	DSVP11-11PX-8SB-10F5-L	110/120 VAC 50/60 HZ
70048-82	DSVP11-11PX-8SB-10F5-L	220/240 VAC 50/60 HZ

- COIL TERMINATION: ISO 4400 (DIN 43650 FORM A) (ORIENTED TO BACK OF INLET PORT)
- VALVE BODY MATERIAL: PA66 - NYLON
- DIAPHRAGM MATERIAL: VMQ - SILICONE
- #10 BRACKET - SEE PAGE 4 FOR DETAILS (ORIENTED TO FRONT OF INLET PORT)
- AC COILS ARE INTERNALLY RECTIFIED
- FIXED FLOW
- VALVE BODY #11 - SEE PAGE 2 FOR DETAILS
- NO VENT TUBE




Part Number	Description
70043-09	SILICONE DIAPHRAGM



Ordering Information - Standard Configurations

The parts listed below are standard configurations that are typically available through distribution. Please contact your nearest Deltrol distributor for small volume pricing.

Part Number	Description	
70043-02	VITON® DIAPHRAGM	

For other part inquiries please call our factory.