



## DSVP14N DISPENSE VALVE

2-Way, direct-acting, gravity fed solenoid valve designed to dispense water or similar media from a tank.

### Applications

- Hot & cold drink dispensers
- Tank or boiler draining
- Water purification equipment
- Potable water applications

### Features

- UR, cUR & NSF Cert.
- Integral flow adjuster
- Excellent flow consistency
- Internally rectified AC coils for quiet operation [1]



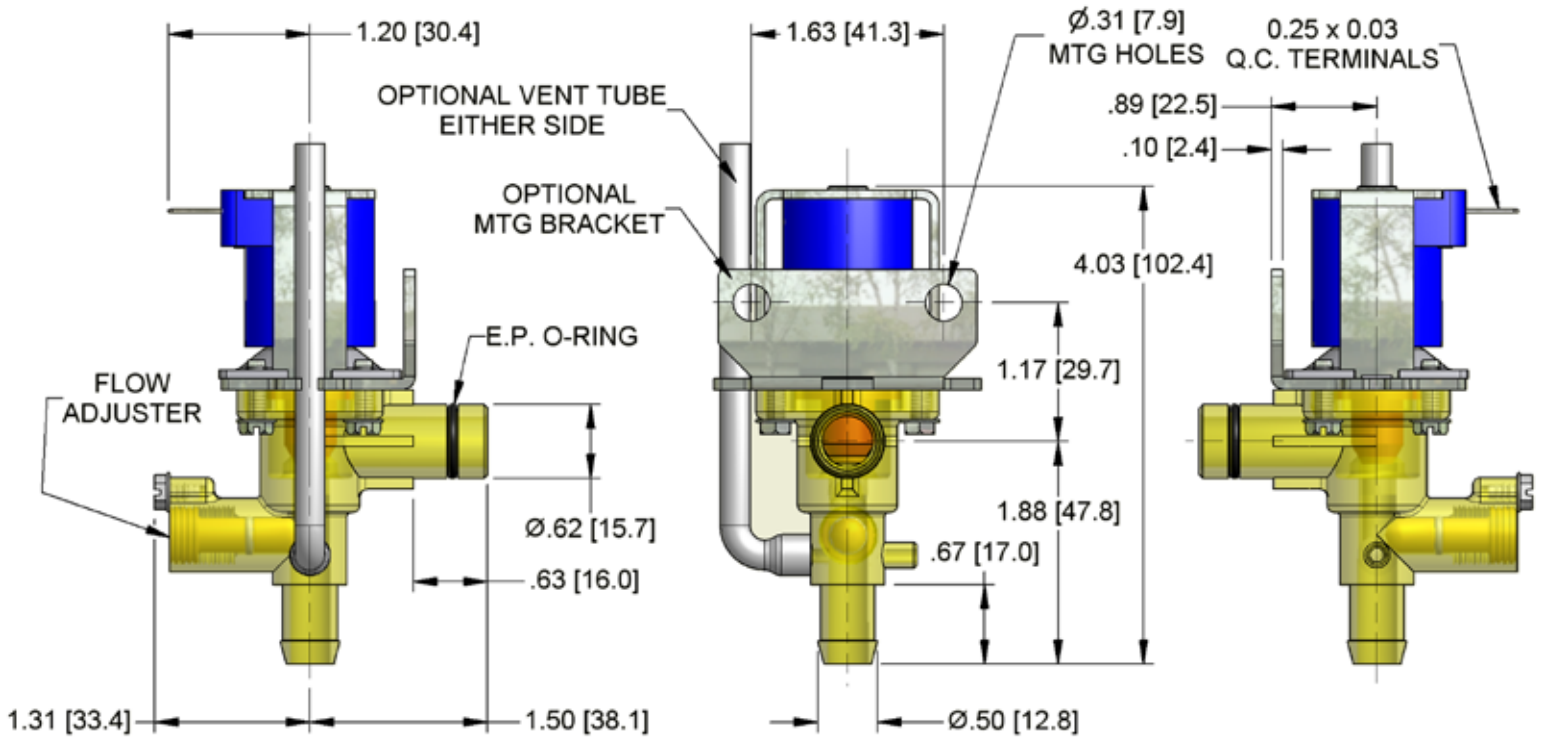
| Electrical Specifications  |   |
|----------------------------|---|
| Coil Voltages              | 12, 24 VAC 60 Hz   110/120, 220/240 VAC 50/60 Hz [1]   12, 24, 36 VDC               |
| Coil Power                 | AC valves 12W   DC valves 11W   |
| Coil Terminals             | 0.25" x 0.03" spade terminals   |
| Coil Rectification         | Half wave rectified available for AC coils  |
| Duty Cycle                 | 100% (Continuous)   |
| Coil Treatment             | Polyester encapsulated  |
| Insulation Class           | Class F (155° C)  |
| Ambient Temperature        | 35° C max.  |
| Mechanical Specifications  |   |
| Media                      | Water up to 98° C   |
| Operating Pressure         | 0-12 inches water column  |
| Operating Position         | Any position between horizontal and facing up. Use of vent tube limits orientation. |
| Mounting Bracket           | Available on request - See drawing on subsequent pages.                             |
| Inlet / Outlet Connections | Inlet port Ø0.62 OD with O-ring   Outlet port Ø0.50 barb                            |
| Vent Tube Option           | Available on request - See drawing on subsequent pages.                             |
| Valve Body Material        | PSU - Polysulfone   |
| Diaphragm Material         | VMQ - Silicone  |
| Weight                     | 7.6 oz.   |
| Agency Approvals           |   |
|                            | UR, cUR, NSF  |

[1] AC coils are internally rectified. The rectifiers may require protection from transient voltages. It is recommended that a metal-oxide varistor (MOV) be placed in parallel at the coil.

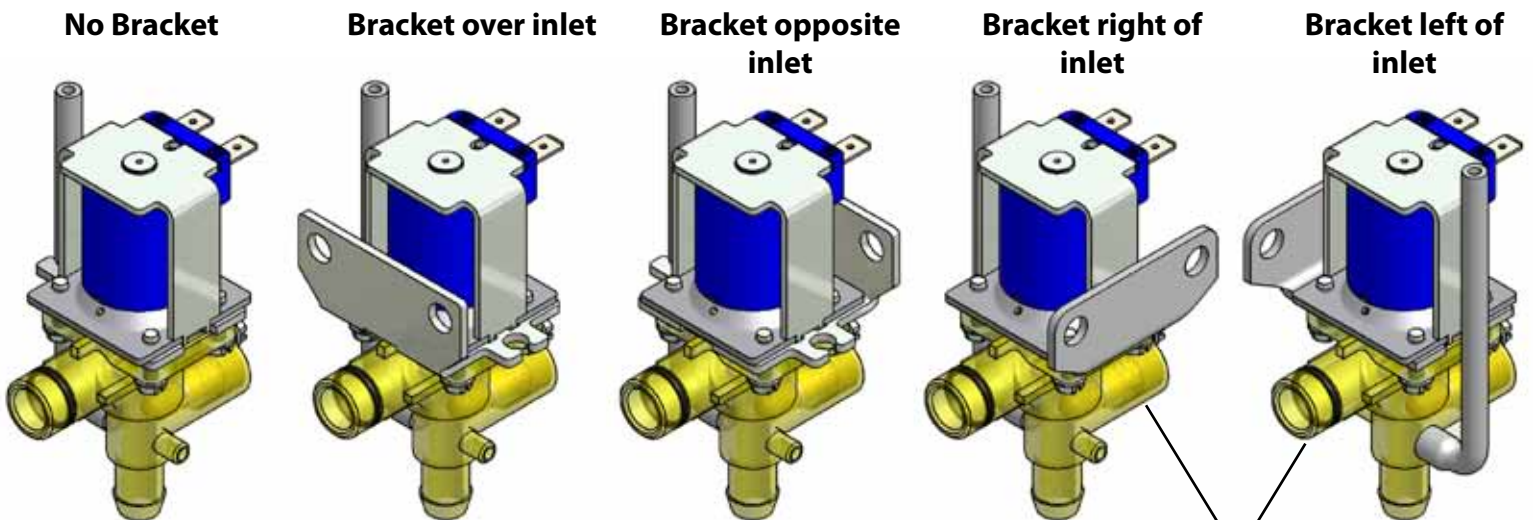
# DSVP14N

## Dimensional View

Units: Inches [mm]

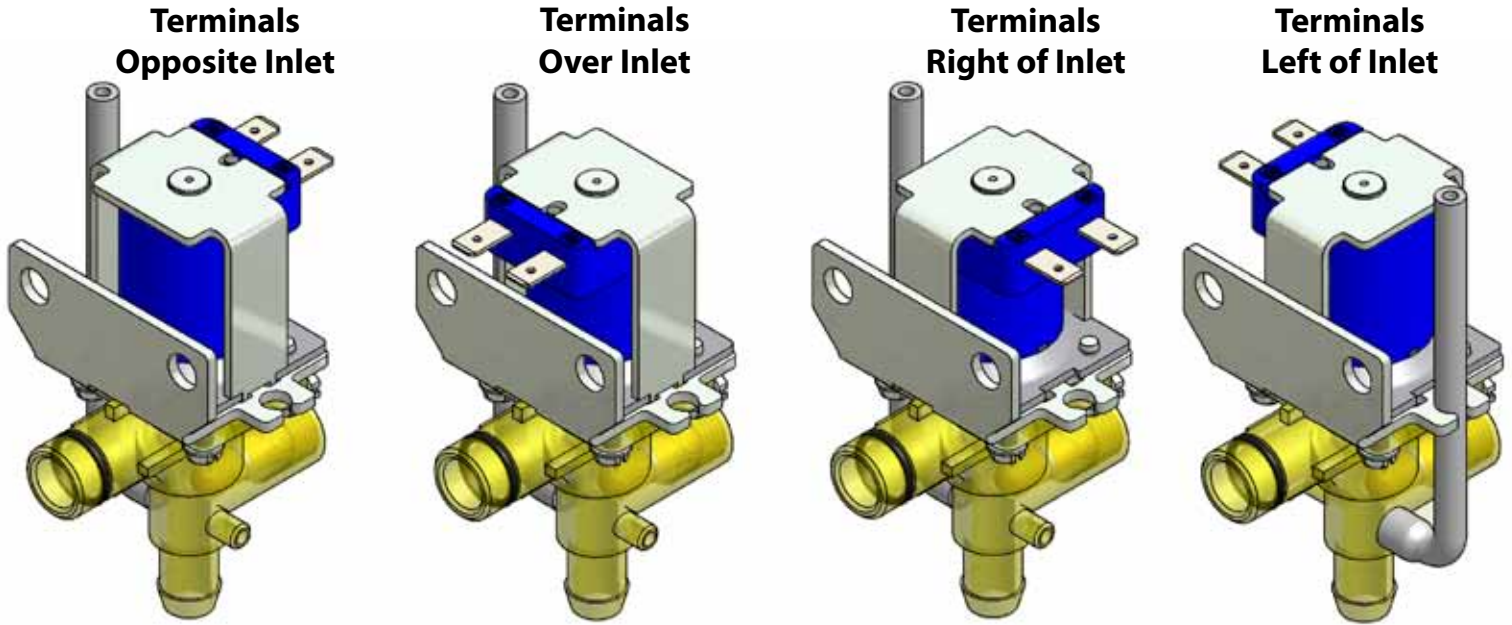


## Bracket Options



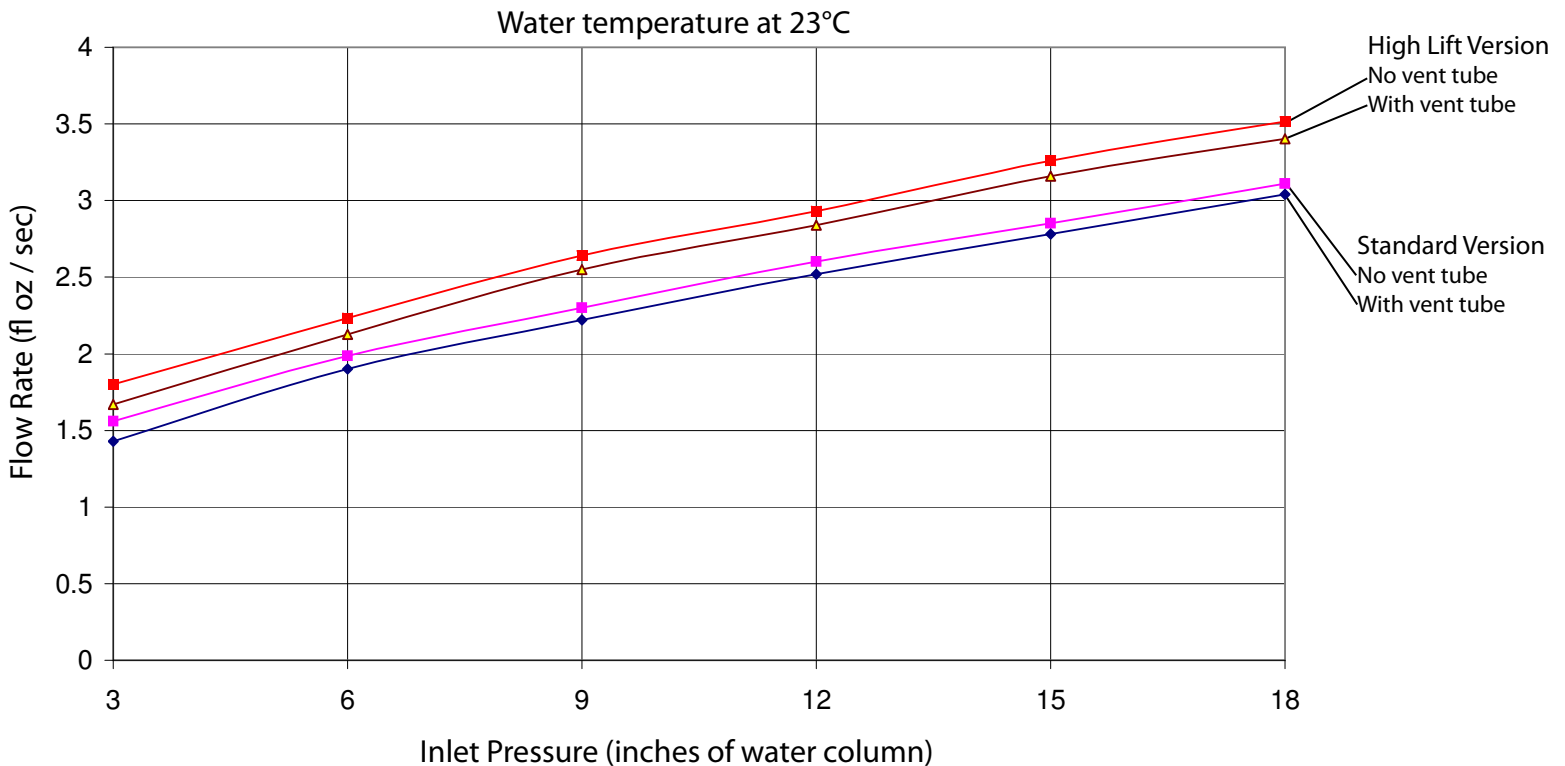
No clip on bracket for vent tube with these options

## Coil Positions Options



## Flow Data

Flow data is approximate and will be affected by application variables. User must verify performance in their application.



## Ordering Information - Non-Standard Configurations

(Minimum Quantities Apply)

When ordering, please provide as much of the following information as possible to help specify the appropriate valve configuration for your application. If you require assistance, please contact a Deltrol Controls Sales Engineer:

1. What voltage will be supplied to the valve?

- 12VDC • 12VAC 60 Hz
- 24VDC • 24VAC 60 Hz
- 36VDC • 110/120VAC 50/60 Hz
- 220/240VAC 50/60 Hz

2. Will your application require a vent tube? (See Dimensional View on page 2)

- No
- Yes, to the left of the inlet port
- Yes, to the right of the inlet port

3. Will your application require a mounting bracket? (See Bracket Options View on page 2)

- No
- Yes, over the inlet port
- Yes, opposite the inlet port
- Yes, to the right of the inlet port
- Yes, to the left of the inlet port

4. How should the coil terminals be positioned? (See Coil Position Options on page 3)

- Over the inlet port
- To the right of the inlet port
- Opposite the inlet port
- To the left of the inlet port

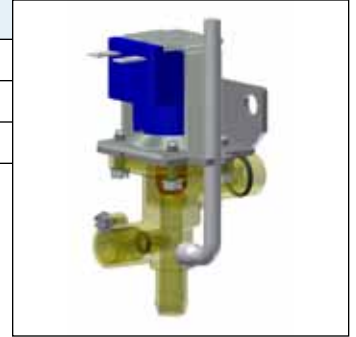
5. What coil spade terminal configuration will your application require?

- Straight, as shown in the Dimensional View on page 2
- Bent up, away from valve body (45° or 90°)
- Bent down, towards valve body (45° or 90°)

## Ordering Information - Standard Configurations

The parts listed below are standard configurations that are typically available through distribution. Please contact your nearest Deltrol distributor for small volume pricing.

| Part Number | Model              | Voltage              |
|-------------|--------------------|----------------------|
| 70050-80    | DSVP14N-6PV-8SB-2F | 24 VAC               |
| 70050-81    | DSVP14N-6PV-8SB-2F | 110/120 VAC 50/60 HZ |
| 70050-82    | DSVP14N-6PV-8SB-2F | 220/240 VAC 50/60 HZ |
| 70049-81    | DSVP14N-6PV-8SB-2F | 24 VDC               |



- COIL TERMINATION: 0.25x0.03 TERMINALS (ORIENTED TO BACK OF INLET PORT)
- ADJUSTABLE FLOW
- VALVE BODY #6
- VENT TUBE
- VALVE BODY MATERIAL: PSU - POLYSULFONE
- DIAPHRAGM MATERIAL: VMQ - SILICONE
- #2 BRACKET (BRACKET ORIENTED OVER INLET PORT)
- AC COILS ARE INTERNALLY RECTIFIED

| Part Number | Description        |
|-------------|--------------------|
| 70084-03    | SILICONE DIAPHRAGM |

- SILICONE MATERIAL FOR POTABLE WATER APPLICATIONS



For other part inquiries please call our factory.