

3-WAY DISPENSE VALVE

3-Way, direct-acting, solenoid valve designed to dispense water or similar media

Applications

- Drink dispensers
- Potable water applications
- Mixing
- Flow diversion

Features

- NSF, Cert.
- Up to 2 psi differential
- Multiple port options



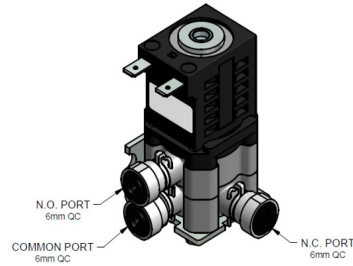
Electrical Specifications	
Coil Voltages	12, 24, 36 VDC
Coil Power	16W Intermittent
Coil Terminals	0.25" x 0.03" spade terminals
Duty Cycle	50% (Intermittent)
Coil Treatment	Polyester encapsulated
Insulation Class	Class F (155° C)
Ambient Temperature	50° C max
Mechanical Specifications	
Media	Water up to 77° C
Operating Pressure	0-2 psi [1]
Operating Position	All ports horizontal, coil facing up
Inlet / Outlet Connections	See options on page 2
Valve Body Material	Celcon M90
Diaphragm Material	Silicone
Weight	8.9 oz.
Agency Approvals	
	NSF

[1] Operating pressures only verified when no back pressure applied to N.O. & N.C. outlet ports.

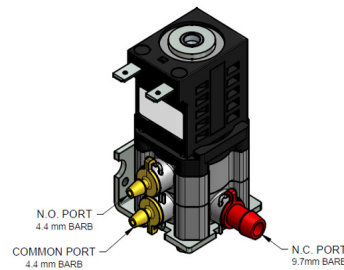
DSVP16N

Valve Body Options

Quick Connect Fittings

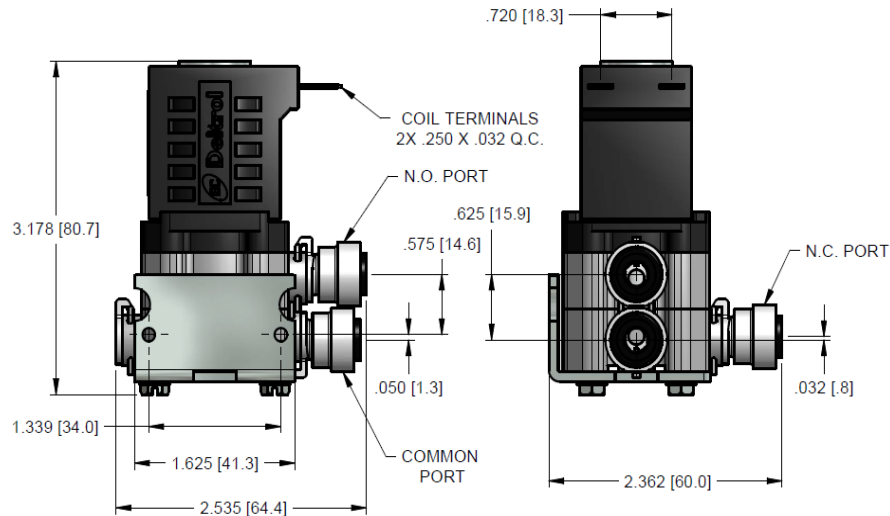


Barbed Fittings



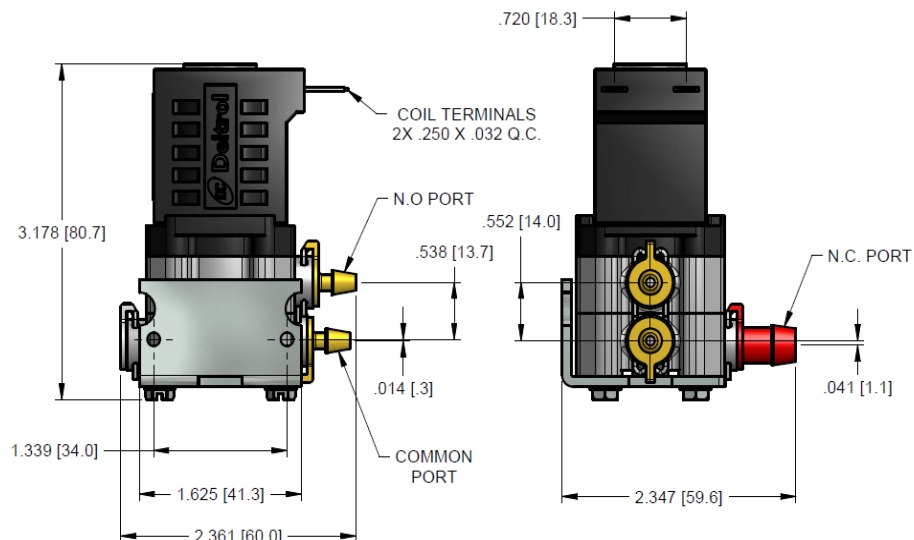
Dimensional View QC Connections

Units: Inches [mm]



Dimensional View Barb Connections

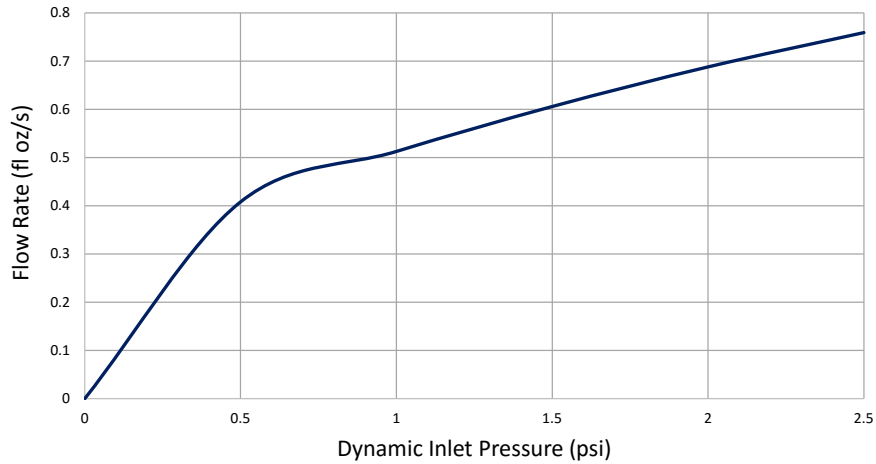
Units: Inches [mm]



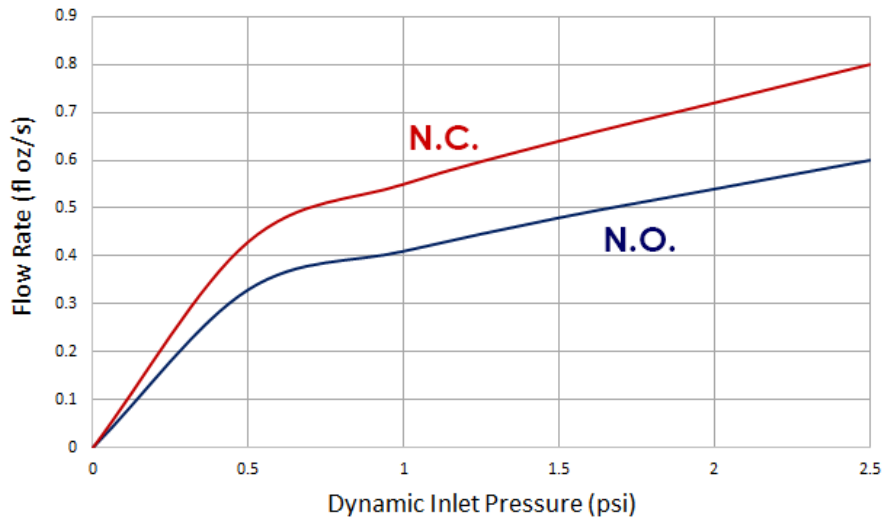
DSVP16N

Flow Data

Quick Connect Fittings



Barbed Fittings



Flow data is approximate and will be affected by application variables.
User must verify performance in their application.
Water temperature at 23°C

Standard Valve Part Numbers

Part Number	Voltage	Connection Fittings
70055-80	12	6mm QC
70055-81	24	6mm QC
70055-82	36	6mm QC
70058-80	12	Barb
70058-81	24	Barb
70058-82	36	Barb