

DSVP42-R



DSVP42-R SOLENOID VALVE

Dual pilot-operated solenoid valve designed to control the flow of water.

Applications

- Coffee machines
- Vending equipment
- Ice maker equipment
- Water purification equipment
- Potable water applications

Features

- UL & NSF certified
- Dual outlet ports
- Economical construction
- Encapsulated coil
- Multiple flow washer options



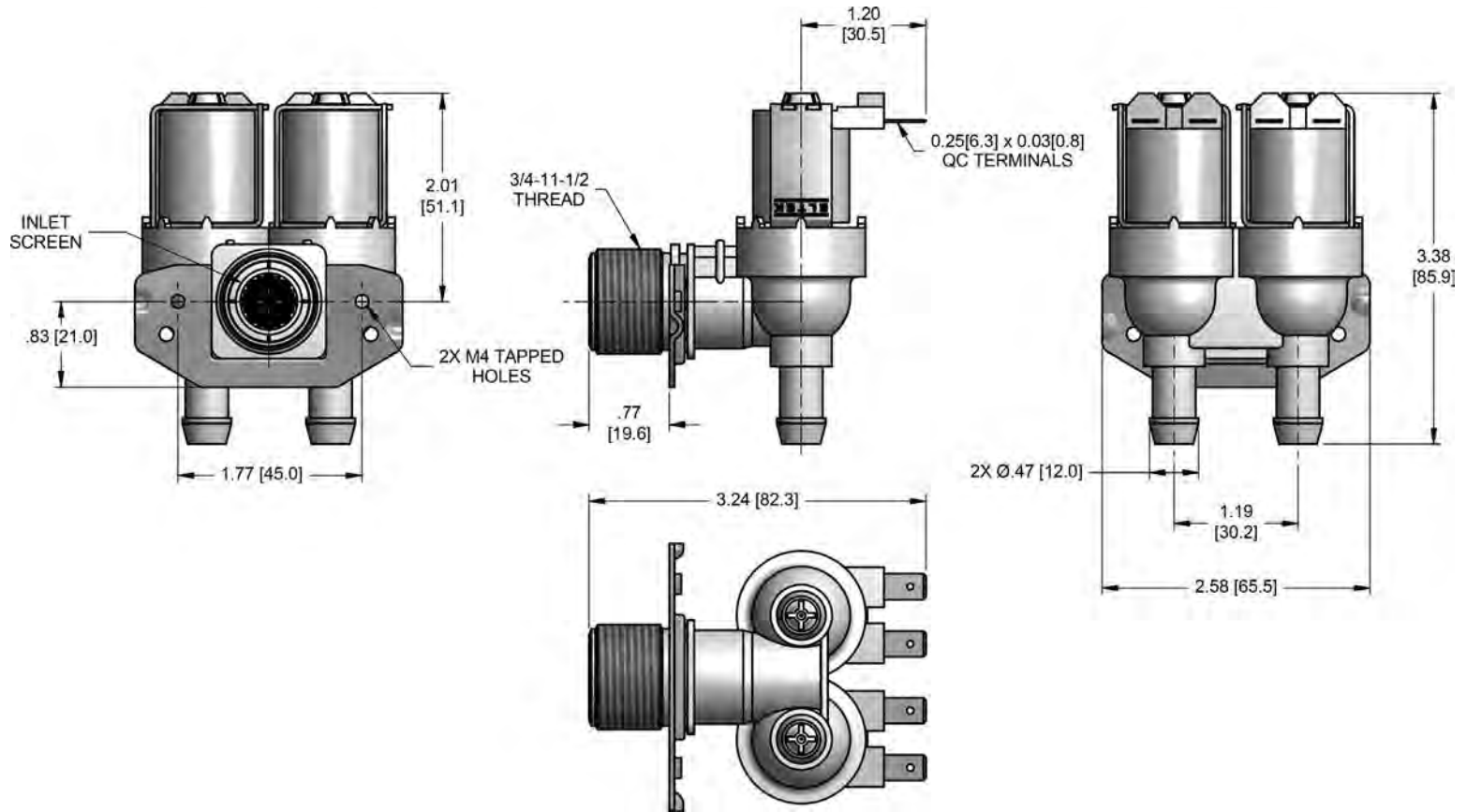
SELECT MODELS

Electrical Specifications	
Coil Voltages	24, 120, 240 VAC 50,60 Hz 12, 24 VDC
Coil Power	24 VAC 8W, 120 VAC 9VA, 240 VAC 6 VA 12 VDC 6.9W, 24 VDC 8W
Coil Terminals	0.25" spade terminals
Duty Cycle	Intermittent •10 min on / 5 min off @25° C media / ambient •3 min on / 5 min off @90° C media / ambient
Coil Treatment	Nylon encapsulated
Insulation Class	Class A (105° C)
Ambient Temperature	5-60° C
Mechanical Specifications	
Media	Water
Operating Pressure	5-145 psi
Burst Pressure	870 psi
Flow Regulator Options	0.26, 0.53, 0.8, 1.3, 2.0, 3.7 gpm
Inlet / Outlet Connections	Inlet: 3/4- 11 1/2 hose thread Outlet: Ø0.47 barb
Mounting	Bracket available in 90° increments
Filter Screen	Removable plastic screen in inlet port
Valve Body Material	Glass filled nylon
Seal Material	EPDM
Product Weight	6.0 oz.
Agency Approvals	
	UR, cUR, NSF

DSVP42-R

Dimensional View

Units: Inches [mm]



Ordering Information

DSVP42 - R - 1 - B - 3.7 / 3.7-3
1 2 2 3

1. Coil voltage

- 1 = 120 VAC
- 2 = 240 VAC
- 3 = 24 VAC
- 4 = 24 VDC
- 5 = 12 VDC

2. Flow regulator

- N/A = None
- 0.26 = 0.26 gpm (1.0 lpm)
- 0.53 = 0.53 gpm (2.0 lpm)
- 0.80 = 0.80 gpm (3.0 lpm)
- 1.3 = 1.3 gpm (5.0 lpm)
- 2.0 = 2.0 gpm (7.5 lpm) (Inlet only)
- 3.7 = 3.7 gpm (14.0 lpm) (Inlet only)

3. Bracket

- 3 = Standard mounting bracket (as shown in drawing)
- X = No bracket