

MED 19x2.700



TUBULAR FRAME SOLENOID

Two position linear solenoid with tubular frame construction.



Features

- High performance construction
- DC solenoids applications only
- Standard pull versions available
- UL approval on many models



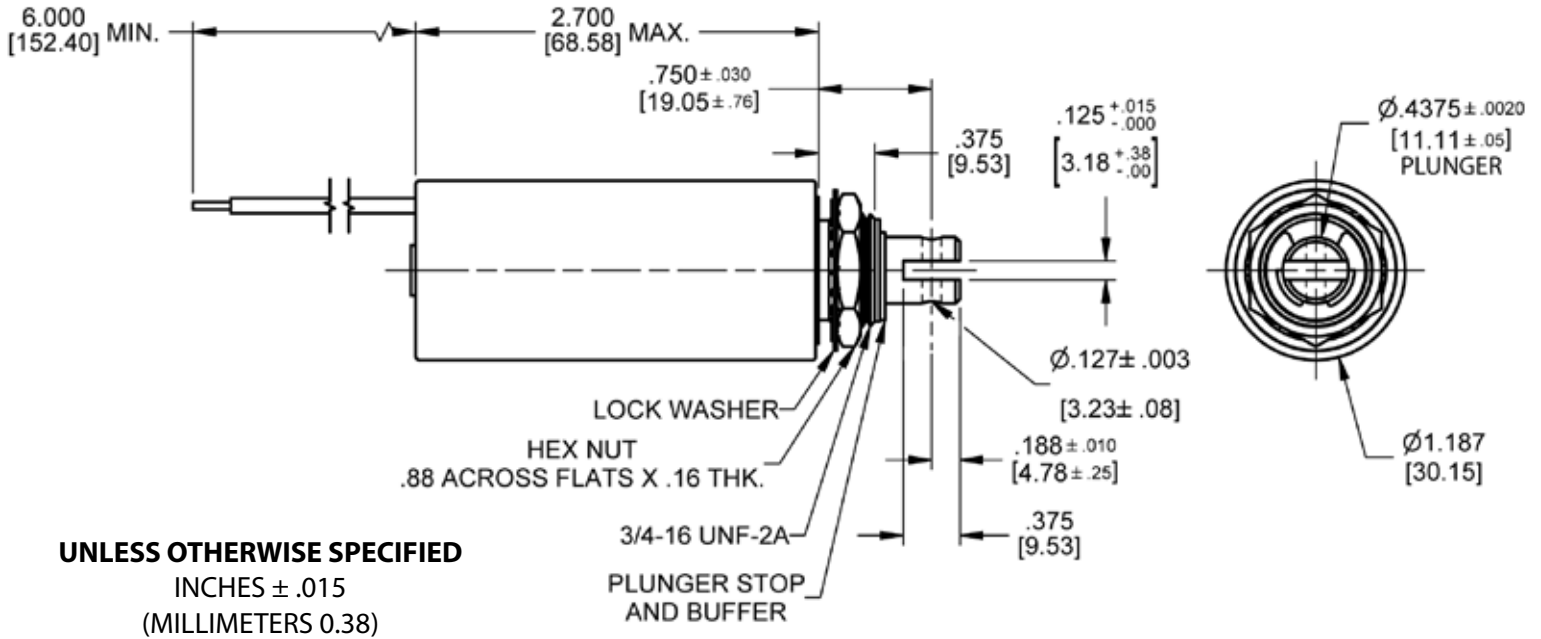
Electrical Specifications	
Coil Voltages	6, 12, 24, 115 VDC
Coil Power	12 Watts Continuous, 30 Watts Intermittent, 116 Watts Pulse
Coil Termination	Wire leads 20 AWG (standard)
Duty Cycle	Continuous, intermittent, pulse (see standard part numbers on page 4)
Coil Treatment	Tape Wrapped
Insulation Class	Class F Rating - 155°C (311°F) Max.
Dielectric Strength	30 Volts and Under: 500 VRMS Over 30 Volts: 1000 VRMS plus 2X rated voltage for 1 minute
Mechanical Specifications	
Size	2.700" [68.6] (L) x Ø 1.187" [30.1] (D)
Forces	See force curves on page 3
Plunger Diameter	Ø 0.4375" [11.1]
Plunger Guide Material	Plastic
Mounting	0.88" [22.4] x 0.16" [4.1] Hex Nut
Weight	Plunger - 2.1 oz [59.5 gms], Total - 10.4 oz [294.8 gms]
Life Expectancy	250,000 Cycles (Dependent on load conditions)
Agency Approvals	
	UL File No. E74443 For Insulation Systems S155

Dimensions: inches [mm]

MED 19x2.700

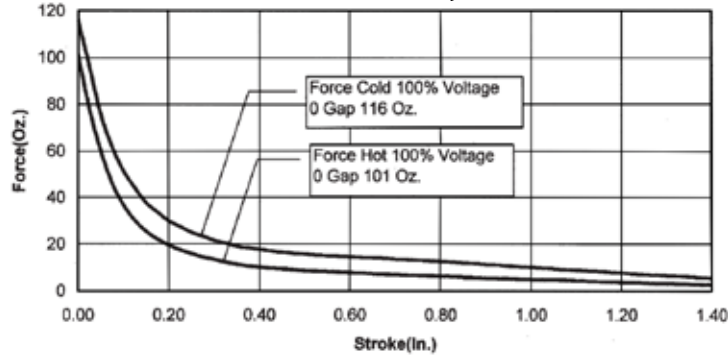
Dimensional View

Units: Inches [mm]

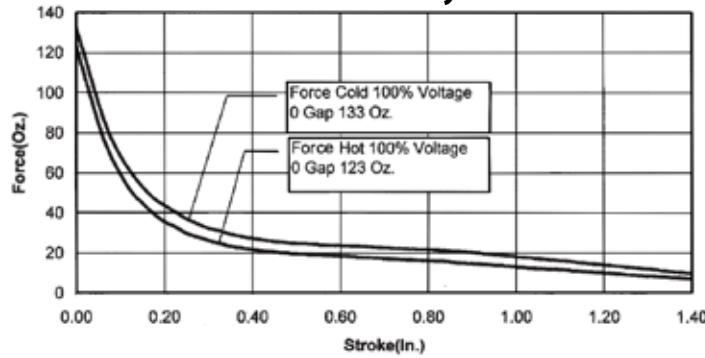


Force Curves

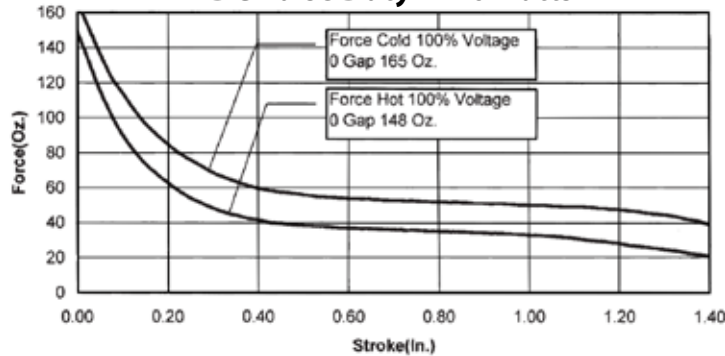
DC Continuous Duty - 12 Watts



DC Intermittent Duty - 30 Watts



DC Pulse Duty - 116 Watts



Standard intermittent duty cycle at nominal voltage is one (1) minute "ON" and three (3) minutes "OFF". Standard pulse duty cycle is 100 milliseconds "ON" and 900 milliseconds "OFF".

Note:

Cold Force @ 25°C (77°F) Cold Temperature
Hot Force @ 130°C (266°F) Coil Temperature
Approx. 36 sq. in. Heat Sink Required

MED 19x2.700



Standard Part Numbers

Parts No.	Voltage	Duty Cycle	Power	Resistance (Ohms)	Operation	Typical Force oz [N] 100% Voltage, 77°F [25°C], Stroke @				
						0.000"	0.125"	0.250"	0.500"	0.750"
53792-80	6 VDC	Continuous	12 Watts	3	Pull	116 [32.2]	40 [11.1]	25 [7.0]	16 [4.4]	14 [3.9]
53792-81	12 VDC			12						
53792-82	24 VDC			48						
53792-84	115 VDC			1102						
53792-86	6 VDC	Intermittent	30 Watts	1.2	Pull	133 [37.0]	58 [16.1]	35 [9.7]	25 [7.0]	22 [6.1]
53792-87	12 VDC			4.8						
53792-88	24 VDC			19.2						
53792-90	115 VDC			441						
53792-92	6 VDC	Pulse	116 Watts	0.31	Pull	165 [45.9]	100 [27.8]	75 [20.9]	56 [15.6]	52 [14.5]
53792-93	12 VDC			1.24						
53792-94	24 VDC			4.97						
53792-96	115 VDC			114						

(*) Normally Stocked

Non stocked items require a minimum order