

A Leader in the Design & Manufacture of Electro-Mechanical Products

DSVP41 SOLENOID VALVE

Pilot-operated solenoid valve designed to control the flow of water.

Applications

- Coffee machines
- Vending equipment
- Ice maker equipment
- Water purification equipment

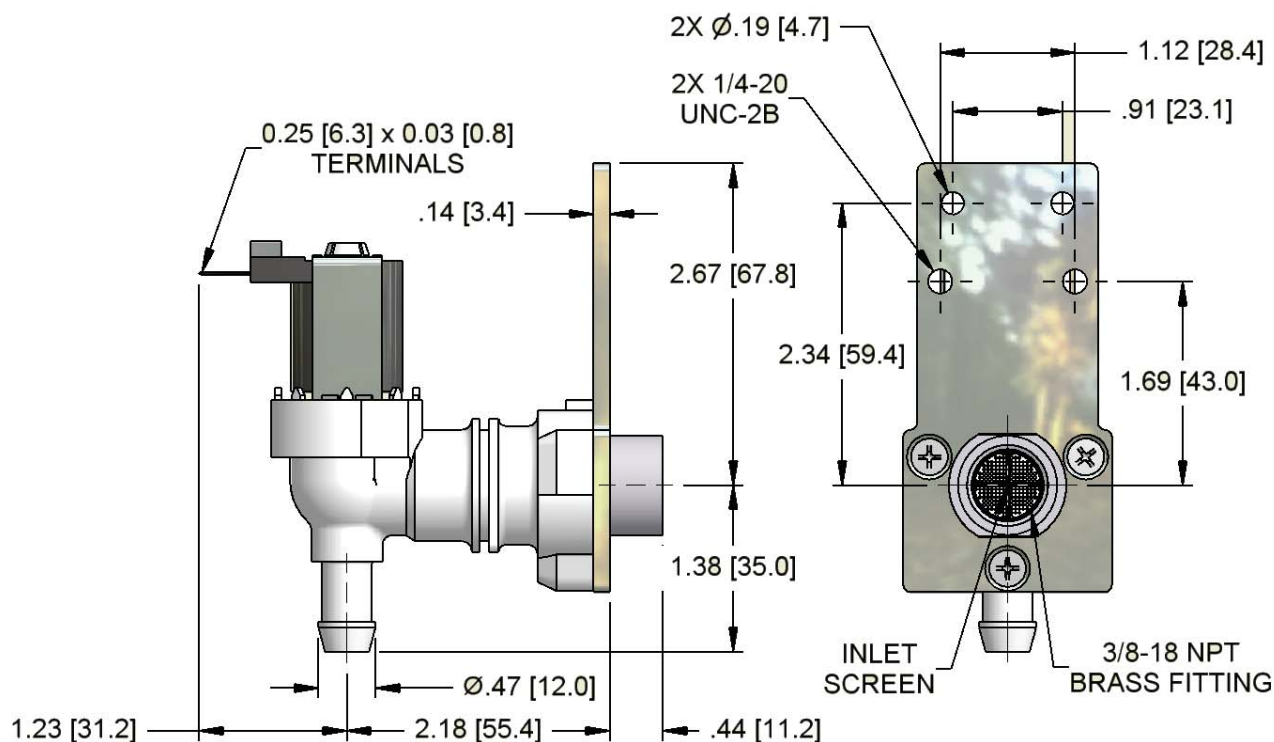
Features

- UL & NSF certified
- Robust mounting bracket and inlet fitting
- Encapsulated coil
- Multiple flow washer options



Electrical Specifications	
Coil Voltages	24, 120, 240 VAC 50,60 Hz 24 VDC
Coil Power	24 VAC 8W, 120 VAC 9VA, 240 VAC 6 VA 24 VDC 8W
Coil Terminals	0.25" spade terminals
Duty Cycle	Intermittent •10 min on / 5 min off @25° C media / ambient •3 min on / 5 min off @90° C media / ambient
Coil Treatment	Nylon encapsulated
Insulation Class	Class A (105° C)
Ambient Temperature	5-60° C
Mechanical Specifications	
Media	Water
Operating Pressure	5-145 psi
Burst Pressure	870 psi
Flow Regulator Options	0.26, 0.53, 0.8, 1.3, 2.0, 3.7 gpm
Inlet / Outlet Connections	Inlet: 3/8-18 NPT Brass fitting Outlet: Ø0.47 barb
Mounting	Bracket available in 90° increments
Filter Screen	Plastic screen in inlet port
Valve Body Material	Glass filled nylon
Seal Material	EPDM
Agency Approvals	UR, cUR, NSF

A Leader in the Design & Manufacture of Electro-Mechanical Products



Ordering Information

DSVP41 - R - 1 - B - 3.7 - 3
 1 2 3 4

- Coil voltage
 - 1 = 120 VAC
 - 2 = 240 VAC
 - 3 = 24 VAC
 - 4 = 24 VDC
- Coil terminal position
 - B = Back, opposite inlet port (standard)
 - L = Left of inlet port (when viewing valve with inlet facing you)
 - R = Right of inlet port (when viewing valve with inlet facing you)
- Flow regulator
 - N/A = None
 - 0.25 = 0.25 gpm (1.0 lpm)
 - 0.50 = 0.50 gpm (2.0 lpm)
 - 0.80 = 0.80 gpm (3.0 lpm)
 - 1.3 = 1.3 gpm (5.0 lpm)
 - 2.0 = 2.0 gpm (7.5 lpm)
 - 3.7 = 3.7 gpm (14.0 lpm)
- Bracket
 - 2 = Standard mounting bracket (as shown in drawing)
 - 1 = No bracket

Specifications subject to change without notice

Page 1 of 2