

DSVP10 DISPENSE VALVE

2-Way, direct-acting, gravity fed solenoid valve designed to dispense water or similar media from a tank.

Applications

- Floor scrubbers
- Tank or boiler draining
- Not for potable water applications
- For potable water applications see our DSVP10N

Features

- UR & cUR Cert.
- 18 inches w.c. head pressure
- High flow capacity
- Fixed or adjustable flow

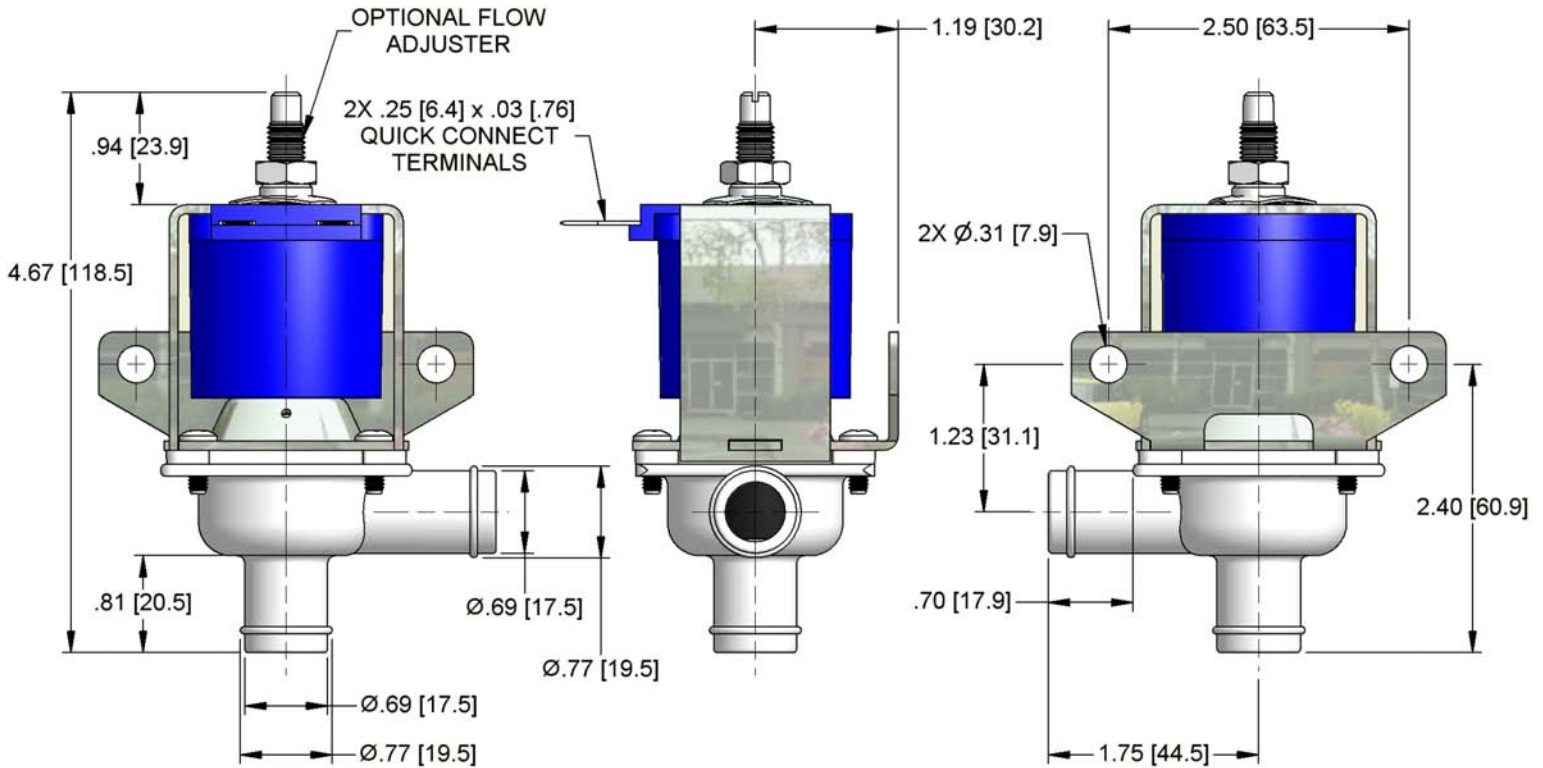


Electrical Specifications	
Coil Voltages	24 VAC 60 Hz, 110/120, 220/240 VAC 50/60 Hz 12, 24, 36 VDC
Coil Power	11W Continuous 30W Intermittent
Coil Terminals	0.25" x 0.03" spade terminals
Coil Rectification	Not available
Duty Cycle	Cont = 100% Int = 9 s on, 13 s off (min)
Coil Treatment	Polyester encapsulated
Insulation Class	Class F (155° C)
Ambient Temperature	35° C
Mechanical Specifications	
Media	Water up to 77° C with Nylon body
Operating Pressure	0-18 inches water column (higher pressure available on request)
Operating Position	Any position between horizontal and facing up.
Mounting Bracket	Available in any 90° increment - see details on subsequent pages
Inlet / Outlet Connections	For Ø.625 ID tubing
Vent Tube Option	Not available
Valve Body Material	PA66 - Nylon
Diaphragm Material	FKM - Viton®, VMQ - Silicone
Weight	14 oz.
Agency Approvals	
	UR, cUR

DSVP10

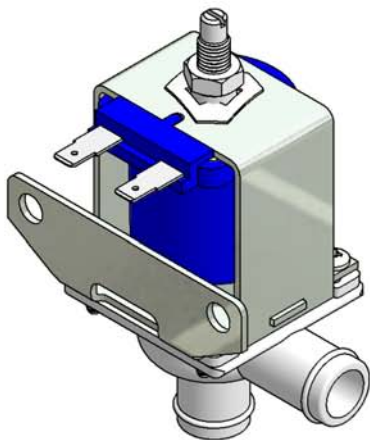
Dimensional View

Units: Inches [mm]

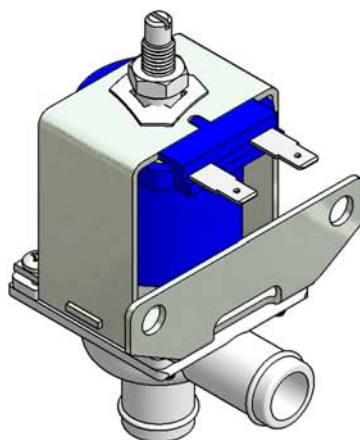


Mounting Bracket Orientation Options

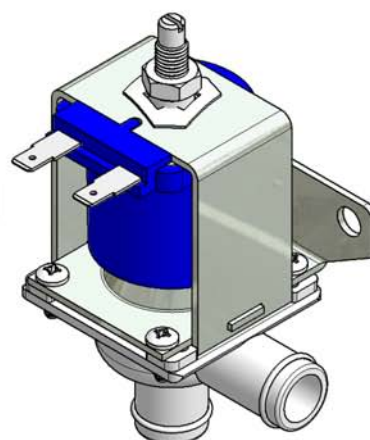
Left of inlet port



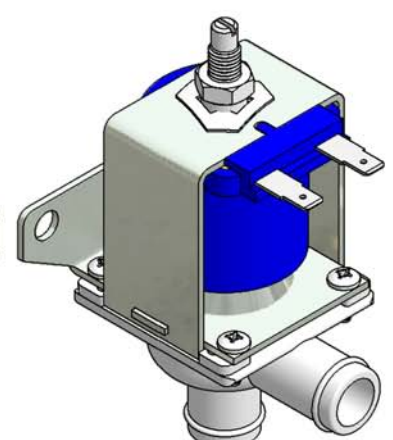
Front over inlet port



Right of inlet port



Back opposite of inlet port

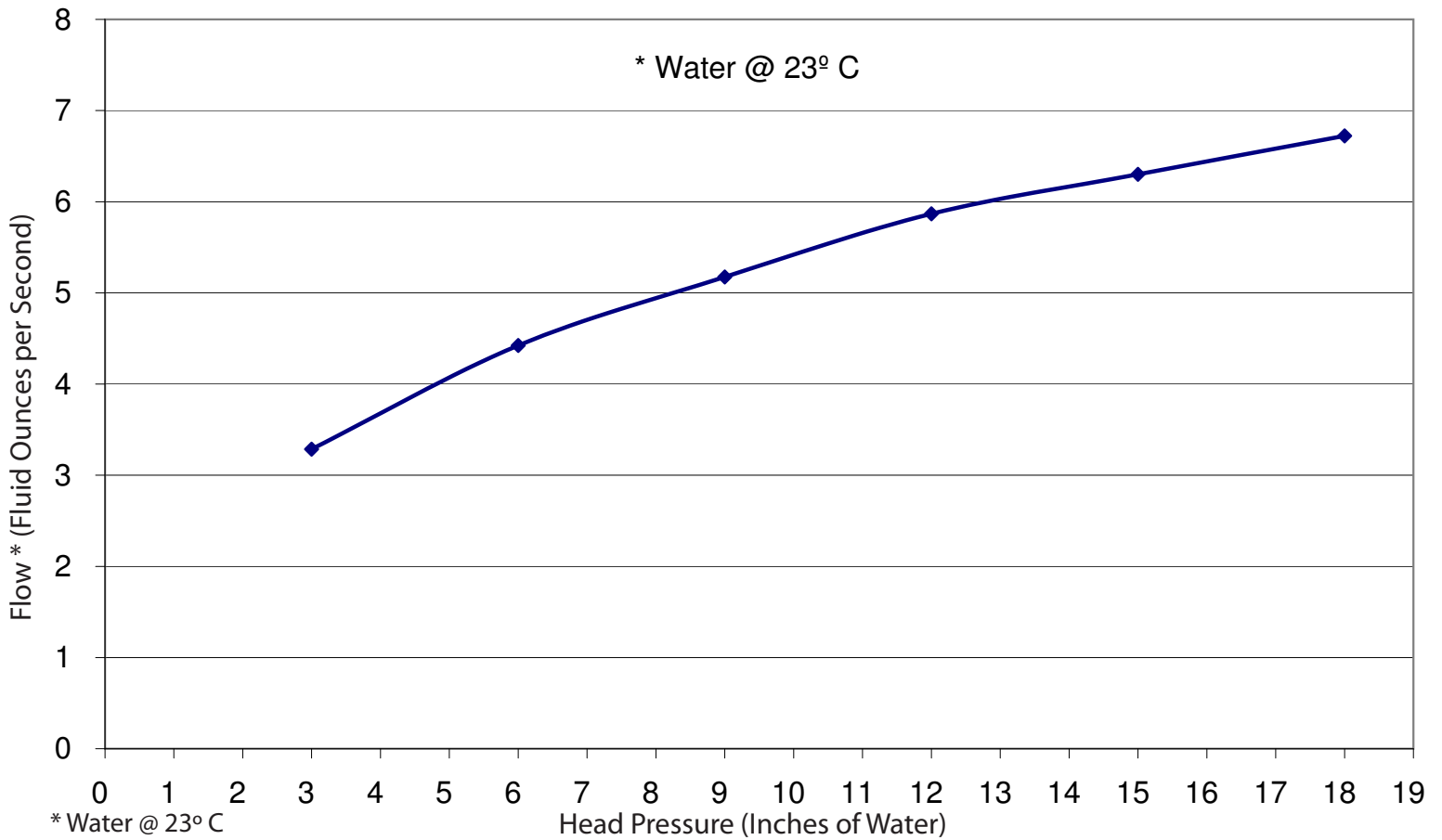


DSVP10



Flow Data

Flow data is approximate and will be affected by application variables.
User must verify performance in their application.



Ordering Information - Non-Standard Configurations (Minimum Quantities Apply)

When ordering, please provide as much of the following information as possible to help specify the appropriate valve configuration for your application. If you require assistance, please contact a Deltrol Controls Sales Engineer:

1. What voltage will be supplied to the valve?

- 12VDC • 24VAC 50/60Hz
- 24VDC • 110/120VAC 50/60Hz
- 36VDC • 220/240VAC 50/60Hz

2. What duty cycle do you require?

- Intermittent (standard) • Continuous

3. What diaphragm material do you require

- Viton® • Silicone

4. What valve body material do you require?

- Nylon

5. Do you require a flow adjuster? (See Dimensional View on page 2)

- No • Yes

6. How do you want the mounting bracket oriented? (See Mounting Bracket Orientation Options on page 2)

- Front over inlet port • Right of inlet port
- Left of inlet port • Back opposite inlet port

7. How do you want the terminals oriented?

- Opposite the mounting bracket
- Over the mounting bracket

8. What coil spade terminal configuration do you require?

- Straight as shown in the Dimensional View on page 2
- Bent up (either 45° or 90°), away from valve body
- Bent down (either 45° or 90°), towards valve body

9. What is the head pressure in your application in inches of water column?

Ordering Information - Standard Configurations

The parts listed below are standard configurations that are typically available through distribution. Please contact your nearest Deltrol distributor for small volume pricing.

Part Number	Model	Voltage
70051-80	DSVP10-40-8S3F	12 VDC
70052-81	DSVP10-40-2S3F	110/120 VAC 50/60 HZ
70052-82	DSVP10-40-3S3F	220/240 VAC 50/60 HZ

- COIL TERMINATION: 0.25x0.03 TERMINALS (ORIENTED TO LEFT OF INLET PORT)
- FIXED FLOW
- INLET PORT: Ø0.69 WITH Ø0.77 BARB
- OUTLET PORT: Ø0.69 WITH Ø0.77 BARB

- VALVE BODY MATERIAL: PA66 - NYLON
- DIAPHRAGM MATERIAL: FKM - VITON®
- STANDARD MOUNTING BRACKET (ORIENTED TO RIGHT OF INLET PORT)
- NO VENT TUBE



Part Number	Description
70007-00	SILICONE DIAPHRAGM



Part Number	Description
70007-01	VITON® DIAPHRAGM



For other part inquiries please call our factory.