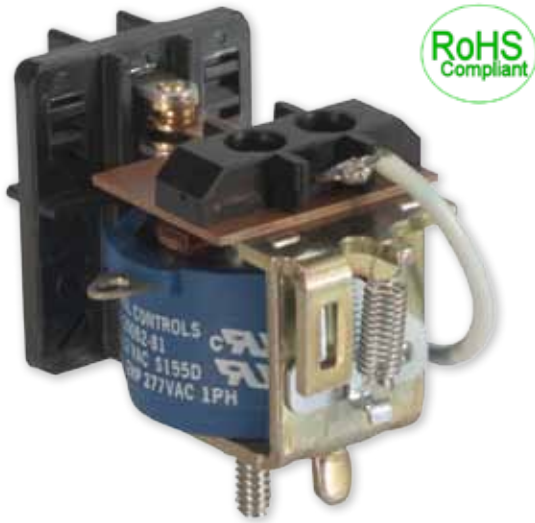


100 Series



100 Series 5 and 10 Amp General Purpose Relay



General purpose relay that controls electrical loads

Features

- Class F Coil Insulation System for 155° C Total Temperature
- Coil Molded in Rynite® PET for Environmental Protection
- Unique Armature Stop Maintains Adjustment

Typical Applications

- Lighting Controls • Time Delay Controls

Models

- 100:** 5 & 10 Amp with Solder Lug Terminals
- 100RF:** With Diallyl Phthalate Panel For Switching RF
- 100U:** 5 Amp Unit with UL and CSA Recognition
- 101U:** 10 Amp Unit with UL and CSA Recognition
- 101UP:** 10 Amp Unit with Printed Circuit Terminals

Contact Data		
Configuration	Thru 3PDT	
Materials	5 Amp: 1/8" Diameter Moveable Fine Silver 3/16" Diameter Stationary Fine Silver 10 Amp: 3/16" Diameter Moveable Silver Cadmium Oxide 3/16" Diameter Stationary Fine Silver Gold Flash is Standard on all Contacts Gold Diffused Available on Special Order - Min. Qty. Req'd	
Contact Ratings		
Movable Contact Size	Pole Configuration	UL Ratings*
1/8" Diameter	Thru 3PDT	1/8 HP or 5 Amp at 120 VAC 1/4 HP or 5 Amp at 277 VAC 5 Amp at 28 VDC
3/16" Diameter	Thru 3PDT	1/3 HP or 10 Amp at 120 VAC** 1/2 HP or 10 Amp at 277 VAC 10 Amp at 28 VDC
Expected Life	Electrical at Rated Load (Min.) 100,000 Operations Mechanical Life 10,000,000 Operations	
Dielectric Strength	800 VRMS, 60 Hz Between Contacts 1500 VRMS (Model 100), 2200 VRMS (Model 100U/101U), 60 Hz Between Other Elements	
Agency Approvals	UL Recognized File No. E37066 (100U/101U Only) CSA Certified File No. LR20690 (100U/101U Only)	

*UL/CSA on 100U/101U Series Only

**3 Pole Devices Rated at 6-2/3 Amp When Switching Greater Than 150 VAC, Unless Polarity is the Same on All Poles

All dimensions in Inches

Rynite® is a registered trademark of DuPont

100 Series

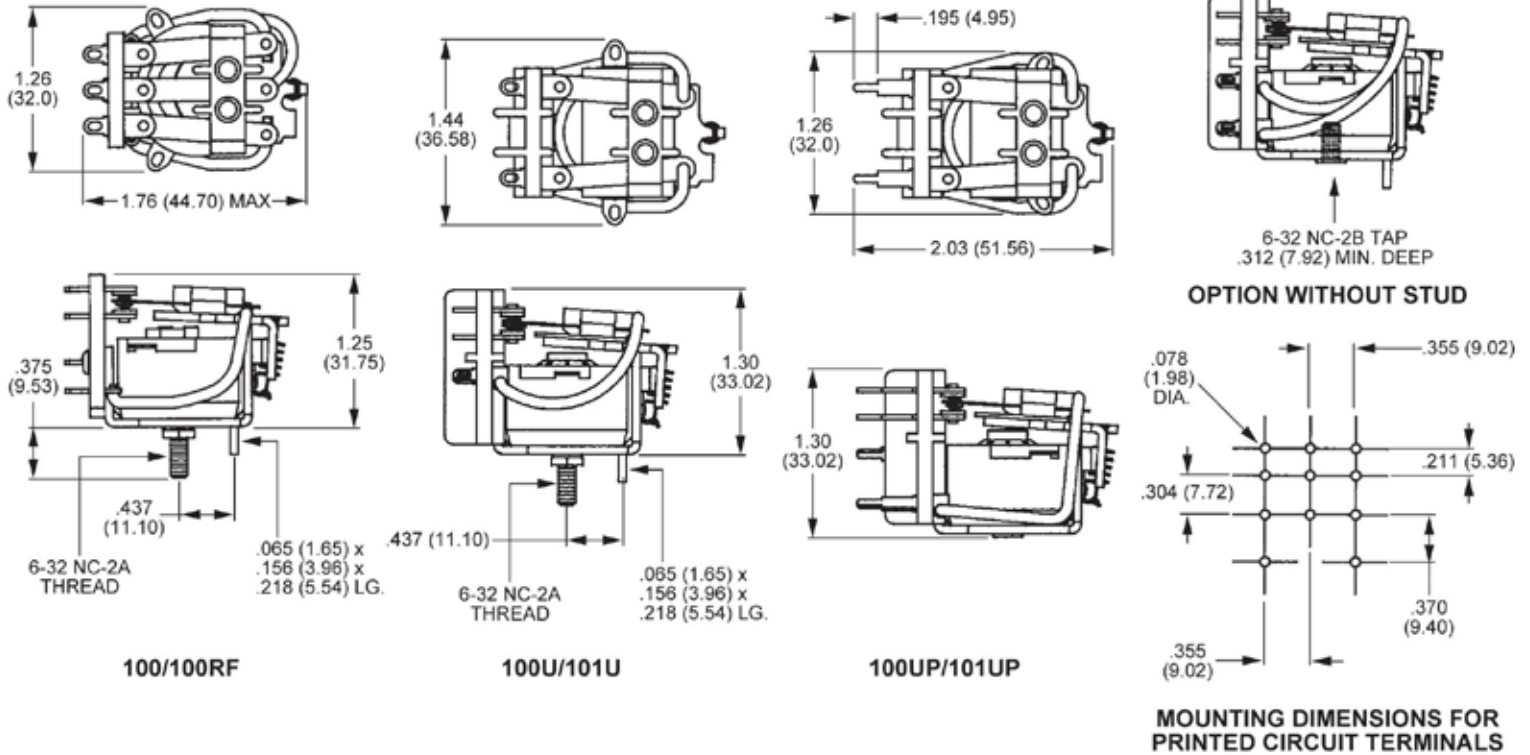


Coil Data			
	Nominal Voltage	Resistance in OHMS ± 10%	Nominal Coil Power
AC Coils Single Pole Units	6 VAC	5	2.0 VA
	12 VAC	20	
	24 VAC	80	
	48 VAC	315	
	120 VAC	2025	
	240 VAC	8000	
AC Coils 2 & 3 Pole Units	6 VAC	4.5	2.2 VA
	12 VAC	18	
	24 VAC	72	
	48 VAC	285	
	120 VAC	1850	
	240 VAC	7200	
DC Coils 1-3 Pole Units	6 VDC	30	1.2 W
	12 VDC	120	
	24 VDC	480	
	48 VDC	1850	
	110 VDC	10,000	
Coil Voltages	AC: Up to 277 Volts/60 Hz DC: Up to 125 Volts		
Coil Treatment	Molded Rynite® PET Std. Class F		
Insulation Resistance	100 Megohms Minimum		
UL Insulation System File No.	E74443 S155D 155°C Total Temperature Std. (Covers S105 Class A and S130D Class B Requirements)		
Operate Data			
Pick Up (at 25°C)	AC Volts 85% or Less of Nominal DC Volts 75% or Less of Nominal		
Operate Time	Approx. 15 Milliseconds		
Release Time	Approx. 15 Milliseconds		
Environmental Data			
Operating Ambient	AC: -45° to 70°C DC: -45° to 85°C		
Coil Temperature Rise	(25°C Ambient - Continuous Duty) AC: 45°C Approx. @ 60Hz - Use at 50 Hz will cause slight increase in Coil Rise DC: 25°C Approx.		
Mechanical Data			
Terminals	100/100U/101U Pierced Solder Lugs .125" x 0.032" 100UP/101UP Printed Circuit Pins		
Weight	All Versions Approx. 2.0 oz. (57 g)		

100 Series

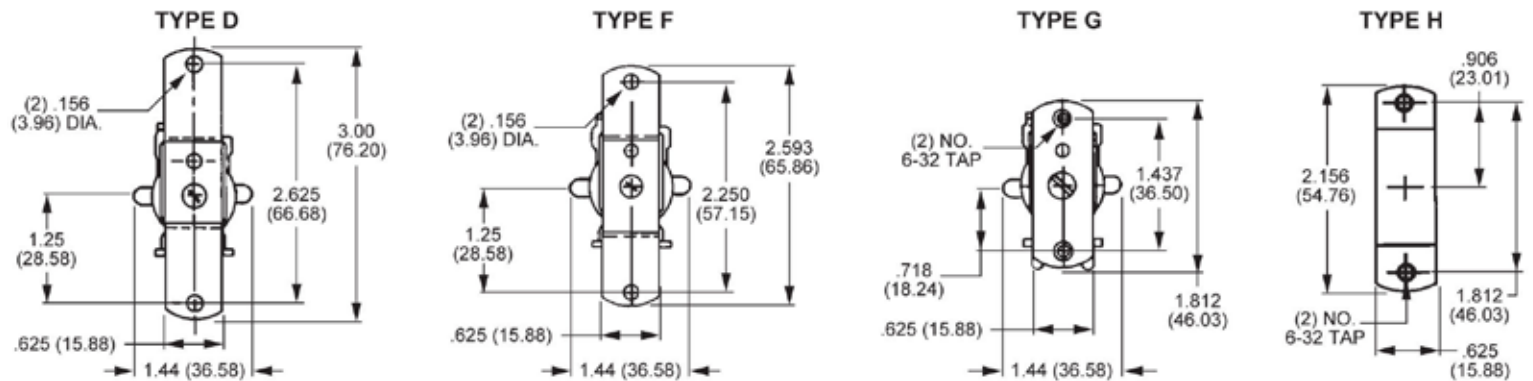
Dimensional View

Units: Inches [mm]



Optional Mounting Brackets

Units: Inches [mm]



100 Series

Ordering Information

5 Amp Part Numbers

Model	Pole Config.	AC Coils				DC Coils		
		12 VAC	24 VAC	120 VAC	240 VAC	12 VDC	24 VDC	110 VDC
100	SPDT	20001-81	20001-82	20001-84	20001-85	20007-81	20007-82	20007-84
	DPDT	20003-81	20003-82	20003-84	20003-85	20009-81	20009-82	20009-84
	3PDT	20005-81	20005-82	20005-84	20005-85	20011-81	20011-82	20011-84
100U	SPDT	20061-81	20061-82	20061-84	20061-85	20067-81	20067-82	20067-84
	DPDT	20063-81	20063-82	20063-84*	20063-85	20069-81	20069-82	20069-84
	3PDT	20065-81	20065-82	20065-84	20065-85	20071-81	20071-82	20071-84
100UP	SPDT	20792-81	20792-82	20792-84	20792-85	20798-81	20798-82	20798-84
	DPDT	20794-81	20794-82	20794-84	20794-85	20800-81	20800-82	20800-84
	3PDT	20796-81	20796-82	20796-84	20796-85	20802-81	20802-82	20802-84

10 Amp Part Numbers

100	SPDT	20002-81	20002-82	20002-83	20002-85	20008-81	20008-82	20008-84
	DPDT	20004-81	20004-82	20004-83	20004-85	20010-81	20010-82	20010-84
	3PDT	20006-81	20006-82	20006-83	20006-85	20012-81	20012-82	20012-84
101U	SPDT	20062-81*	20062-82	20062-84*	20062-85	20068-81*	20068-82	20068-84
	DPDT	20064-81	20064-82*	20064-84*	20064-85	20070-81*	20070-82*	20070-84*
	3PDT	20066-81	20066-82	20066-84	20066-85	20072-81	20072-82	20072-84
101UP	SPDT	20793-81	20793-82	20793-84	20793-85	20799-81	20799-82	20799-84
	DPDT	20795-81	20795-82	20795-84	20795-85	20801-81	20801-82	20801-84
	3PDT	20797-81	20797-82	20797-84	20797-85	20803-81	20803-82	20803-84

(*) Normally Stocked

Non stocked items require a minimum order

Part Number	Description
20256-80	OPTIONAL B-4 DUST COVER FOR SERIES 100 RELAY

- Sealed knock-out holes for standard conduit fittings.
- Relay mounts on pre-drilled base.
- Aluminum construction
- Snap action cover release.
- Accommodates relay series 100 and 100RF
- Size: 4"W x 2 -1/4" H x 2-1/4" D

