

# BREW BASKET LOCKOUT SOLENOID



## BREW BASKET LOCKOUT SOLENOID

### Applications

- To prevent the removal of the brew basket during a coffee brewing cycle.

### Features

- $\frac{3}{16}$ -inch diameter stainless steel lock bolt
- Low-friction bearing support
- Lock position sensor
- Rolling diaphragm to protect solenoid from moisture



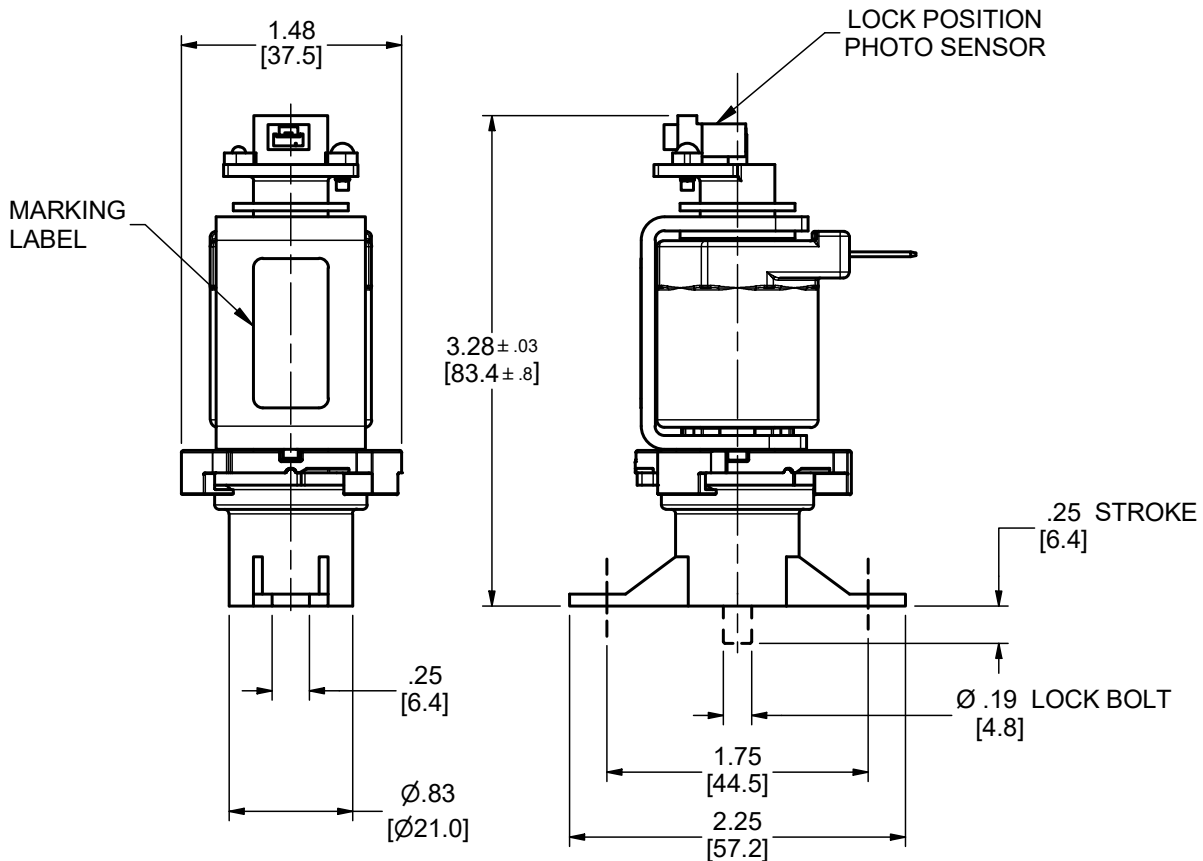
Electrical Specifications	
Coil Voltages	12, 24, 36 VDC
Coil Power	12 watts
Coil Terminals	0.25" x 0.03" spade terminals
Duty Cycle	Continuous
Coil Treatment	Polyester encapsulated (Flame retardant grade)
Insulation Class	Class F 311° F [155° C]
Ambient Temperature	40° C
Mechanical Specifications	
Operating Position	Coil Facing up
Mounting	Mounting boss integrated into housing
Body Material	Glass-filled Nylon
Lock Bolt Material	$\frac{3}{16}$ -inch diameter stainless steel
Diaphragm Material	VMQ - Silicone
Product Weight	5.5 oz
Agency Approvals	
	Pending
Patents	
	Patent Pending

# BREW BASKET LOCKOUT SOLENOID



## Dimensional Drawing

Units: Inches [mm]



***Deltrol Brew Basket Lockout Solenoid is offered as a standard product with the options listed in this data sheet. If customer technical specifications require different features not offered as a standard, the solenoid design allows for customization. Examples include, but are not limited to, mounting geometry, coil voltages and coil termination. Please contact Deltrol Sales Department for additional information, sample or quote requests.***