

# DSVP12NHF



## DSVP12NHF DISPENSE VALVE

2-Way, direct-acting, gravity fed solenoid valve designed to dispense water or similar media from a tank.

### Applications

- Ice maker equipment
- Tank or boiler draining
- Potable water applications,

### Features

- UR, cUR, & ENEC\* Cert.
- Up to 3 psi differential
- Multiple connection options
- Service & configure without tools
- Rotatable coil
- Rectified AC coils [1]
- \*Select Models



Electrical Specifications	
Coil Voltages	24, 110/120, 220/240 VAC 50/60 Hz [1]   12, 24, 36 VDC
Coil Power	AC valves 12W Cont / 16W Int   DC valves 11W Cont
Coil Termination	0.25" x 0.03" spade terms std. (See additional options on page 5)
Coil Rectification	AC coils are rectified - Full and half wave options available [1] (Non-rectified version available)
Duty Cycle	Cont = 100%   Int = 4 minutes on / 5 minutes off
Coil Treatment	Polyester encapsulated
Insulation Class	Class F (155° C)
Ambient Temperature	25° C
Mechanical Specifications	
Media	Water up to 99° C with Polysulfone bodies   80° C with Noryl® body
Operating Pressure	0-45 inches water column (up to 3 psi available upon request)
Operating Position	Any position between horizontal and facing up.
Mouting Bracket	Available in any 90° increment - see details on subsequent pages
Inlet / Outlet Connections	See dimensional drawing
Valve Body Material	PSU - Polysulfone, PPE - Noryl®
Diaphragm Material	VMQ - Silicone
Weight	7.5 oz.
Agency Approvals	
UR, cUR, NSF, ENEC, WRAS (Agency approvals do not apply to every valve configuration)	
Patents	
US Patent 6,684,901	

[1] AC coils are internally rectified. The rectifiers may require protection from transient voltages. It is recommended that a metal-oxide varistor (MOV) be placed in parallel at the coil.

VITON® is a registered trademark of Dupont

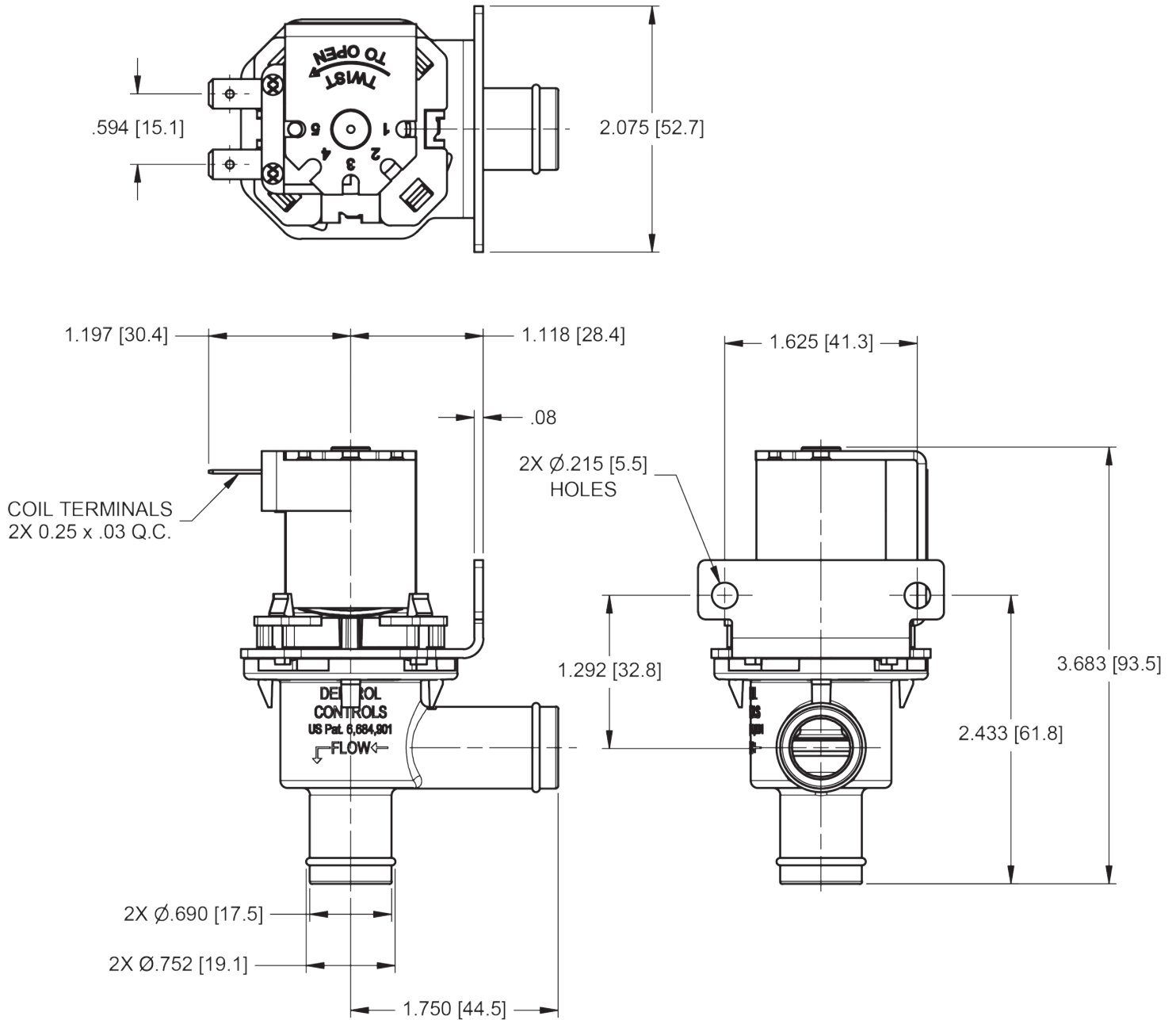
NORYL® is a registered trademark of SABIC

Specifications subject to change without notice

# DSVP12NHF

## Dimensional View

Units: Inches [mm]



NORYL® is a registered trademark of SABIC

Specifications subject to change without notice

2 of 6

Rev 08/29/17

©2011 Deltrol Controls - A Division of Deltrol Corp.

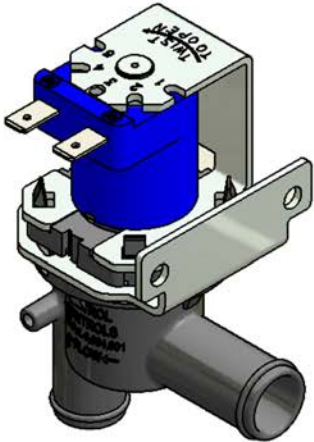
2740 South 20<sup>th</sup> Street Milwaukee, WI 53215 USA | P: 414.671.6800 | F: 414.671.6809 | www.deltrol-controls.com | sales@deltrol.com

## Mounting Bracket Orientation Options

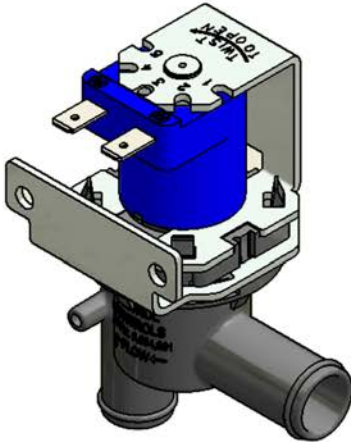
Bracket will be set at specified position during assembly.

Bracket position may also be set to desired position by customer after assembly.

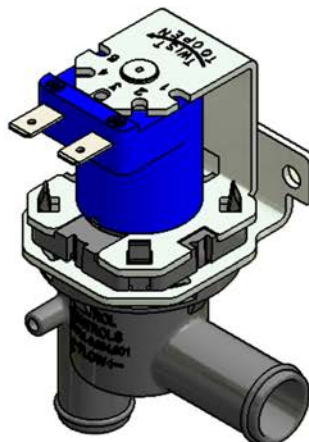
Front over inlet port



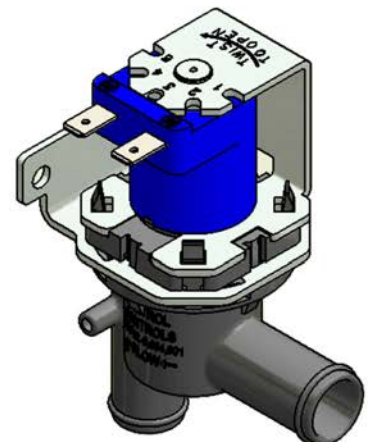
Left of inlet port



Right of inlet port



Back opposite inlet port

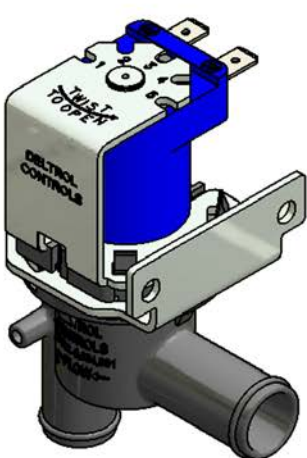


## Frame Orientation Options

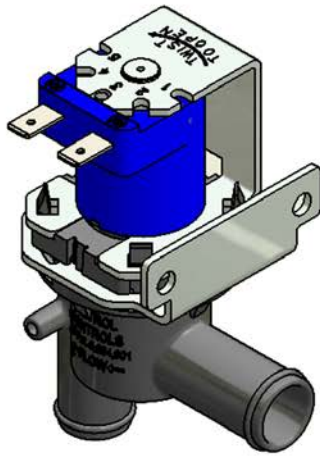
Frame will be set at specified position during assembly.

Frame position may also be set to desired position by customer after assembly.

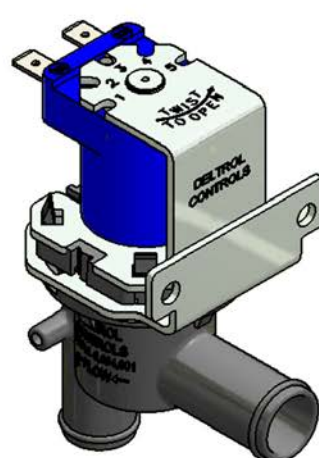
Left of inlet port



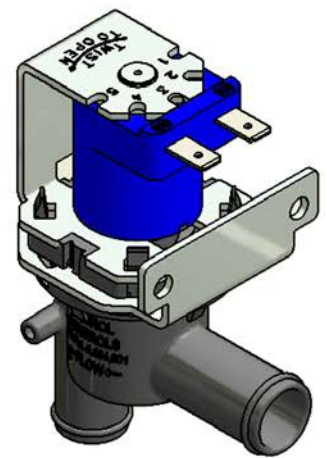
Right of inlet port



Front over inlet port



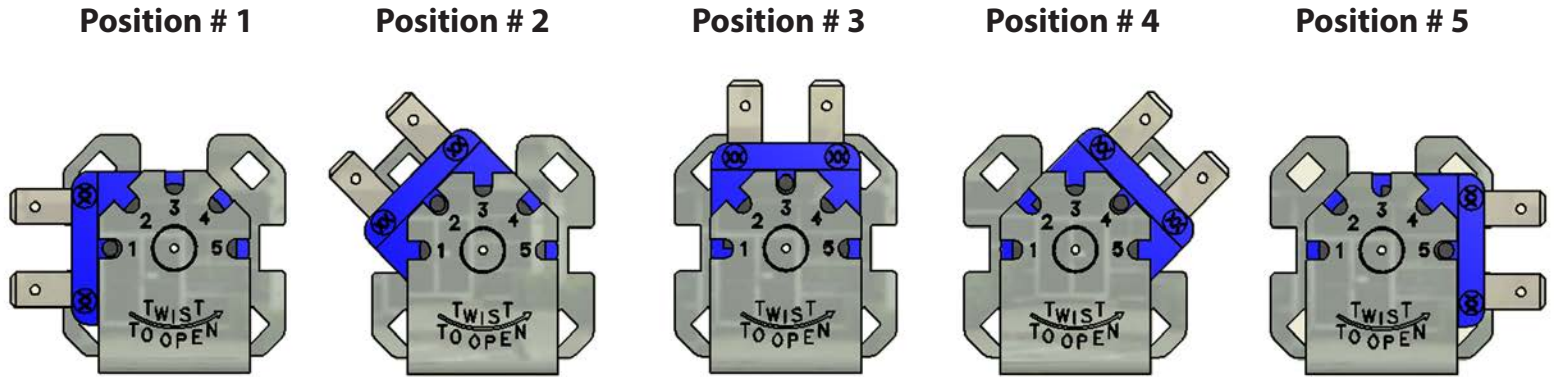
Back opposite inlet port



## Coil Terminal Orientation Options

Coil terminal orientation will be set at specified position during assembly.

Coil terminal orientation may also be set to desired position by customer after assembly.



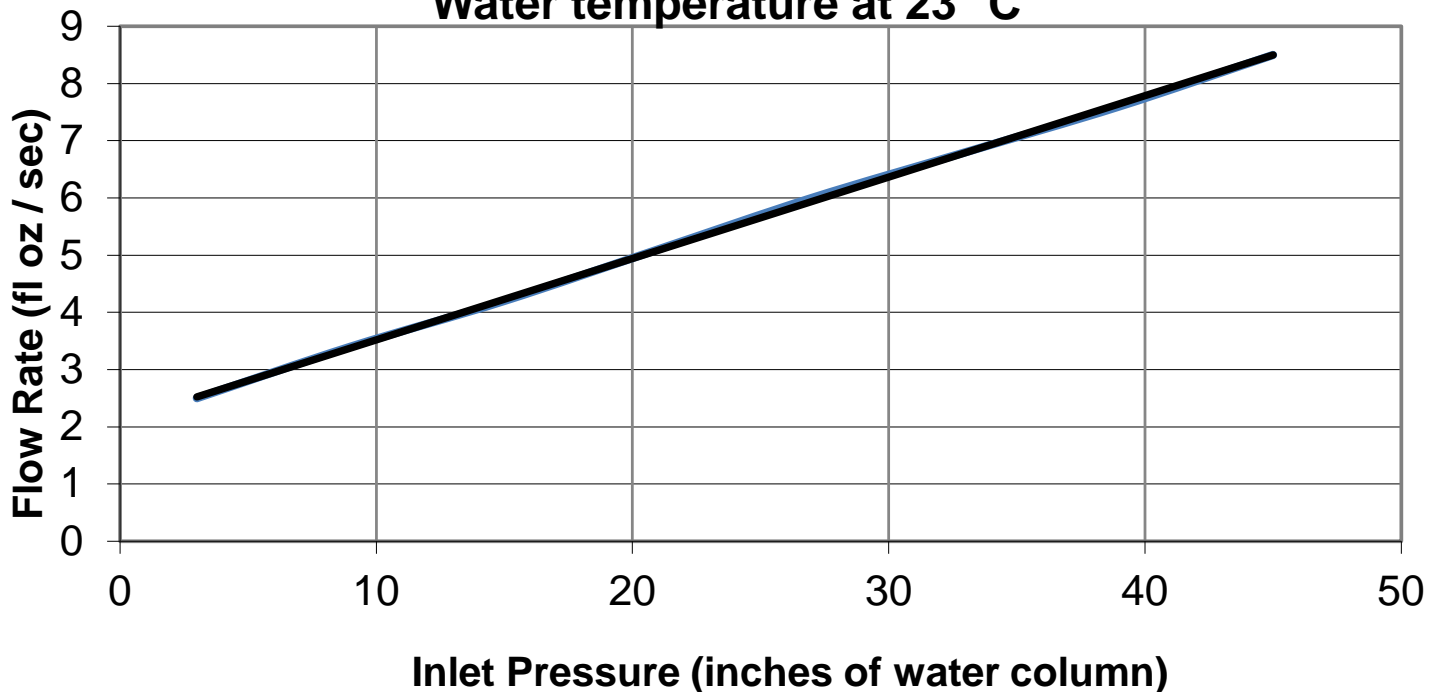
## Flow Data

Flow data is approximate and will be affected by application variables.  
User must verify performance in their application.

Water temperature at 23°C

### DSVP12HF

### Water temperature at 23 °C



# DSVP12NHF

## Alternate Coil Options

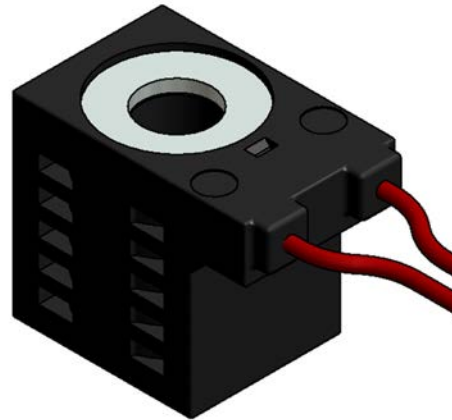
The coil termination options below are now available for our DSVP12 valve. Benefits include expanded connection options, improved ingress protection, and improved corrosion resistance.

### ISO 4400 (DIN 43650 FORM A)



- IP-67 Rating
- Encapsulated class F (155° C) coil construction

### MOLDED-IN 20 GA LEAD WIRES



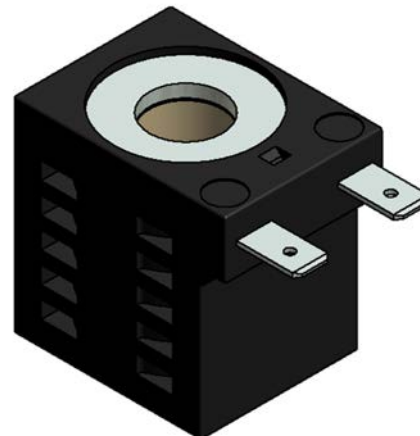
- Connectors can be assembled to lead wires
- Encapsulated class F (155° C) coil construction

### DEUTSCH DT04-2P



- IP-69 Rating
- Encapsulated class F (155° C) coil construction

### QUICK CONNECT 1/4" SPADE TERMINALS



- Encapsulated class F (155° C) coil construction

## Ordering Information - Non-Standard Configurations

(Minimum Quantities Apply)

When ordering, please provide as much of the following information as possible to help specify the appropriate valve configuration for your application. If you require assistance, please contact a Deltrol Controls Sales Engineer:

1. What voltage will be supplied to the valve?

- 12VDC • 24VAC 50/60Hz
- 24VDC • 110/120VAC 50/60Hz
- 36VDC • 220/240VAC 50/60Hz

2. How do you want the mounting bracket oriented? (See Mounting Bracket Orientation Options on page 3)

- Front over inlet port • Right of inlet port
- Left of inlet port • Back opposite inlet port

3. How do you want the frame leg oriented? (See Frame Orientation Options on page 3)

- Front over inlet port • Right of inlet port
- Left of inlet port • Back opposite inlet port

4. How do you want the coil terminals oriented? (See Coil Terminal Orientation Options on page 4)

- Position #1 • Position #4
- Position #2 • Position #5
- Position #3

5. What coil spade terminal configuration will your application require?

- Straight, as shown in the Dimensional View on page 2
- Bent up (either 45° or 90°), away from valve body
- Bent down (either 45° or 90°), towards valve body

6. What is the head pressure in your application in inches of water column?

7. Do you require an alternate coil option shown on page 5?

- ISO 4400 (DIN 43650 Form A) • Molded-in lead wires
- Deutsch DT04-2P • 1/4" spade terminals