



DSVP14N DISPENSE VALVE

2-Way, direct-acting, gravity fed solenoid valve designed to dispense water or similar media from a tank.

Applications

- Hot & cold drink dispensers
- Tank or boiler draining
- Water purification equipment
- Potable water applications

Features

- UR, cUR & NSF Cert.
- Integral flow adjuster
- Excellent flow consistency
- Internally rectified AC coils for quiet operation [1]



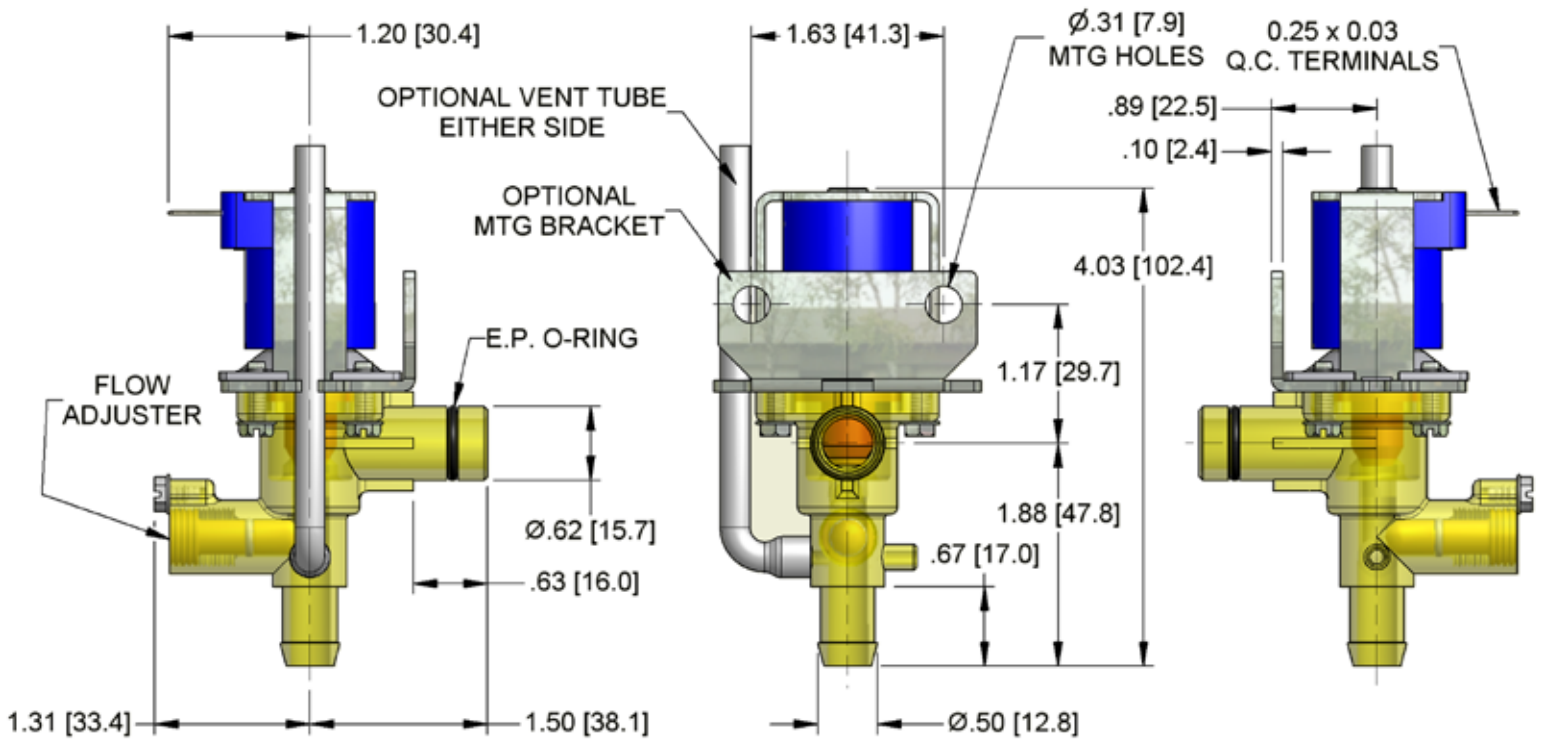
Electrical Specifications	
Coil Voltages	12, 24 VAC 60 Hz 110/120, 220/240 VAC 50/60 Hz [1] 12, 24, 36 VDC
Coil Power	AC valves 12W DC valves 11W
Coil Terminals	0.25" x 0.03" spade terminals
Coil Rectification	Half wave rectified available for AC coils
Duty Cycle	100% (Continuous)
Coil Treatment	Polyester encapsulated
Insulation Class	Class F (155° C)
Ambient Temperature	35° C max.
Mechanical Specifications	
Media	Water up to 98° C
Operating Pressure	0-12 inches water column
Operating Position	Any position between horizontal and facing up. Use of vent tube limits orientation.
Mounting Bracket	Available on request - See drawing on subsequent pages.
Inlet / Outlet Connections	Inlet port Ø0.62 OD with O-ring Outlet port Ø0.50 barb
Vent Tube Option	Available on request - See drawing on subsequent pages.
Valve Body Material	PSU - Polysulfone
Diaphragm Material	VMQ - Silicone
Weight	7.6 oz.
Agency Approvals	
	UR, cUR, NSF

[1] AC coils are internally rectified. The rectifiers may require protection from transient voltages. It is recommended that a metal-oxide varistor (MOV) be placed in parallel at the coil.

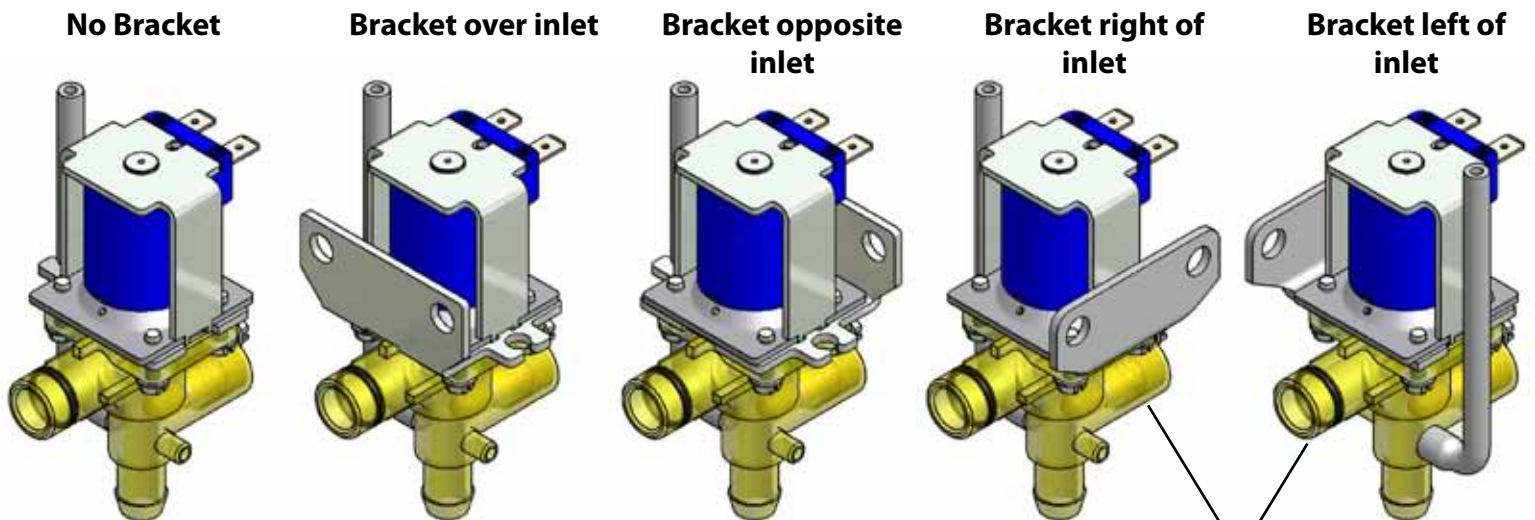
DSVP14N

Dimensional View

Units: Inches [mm]

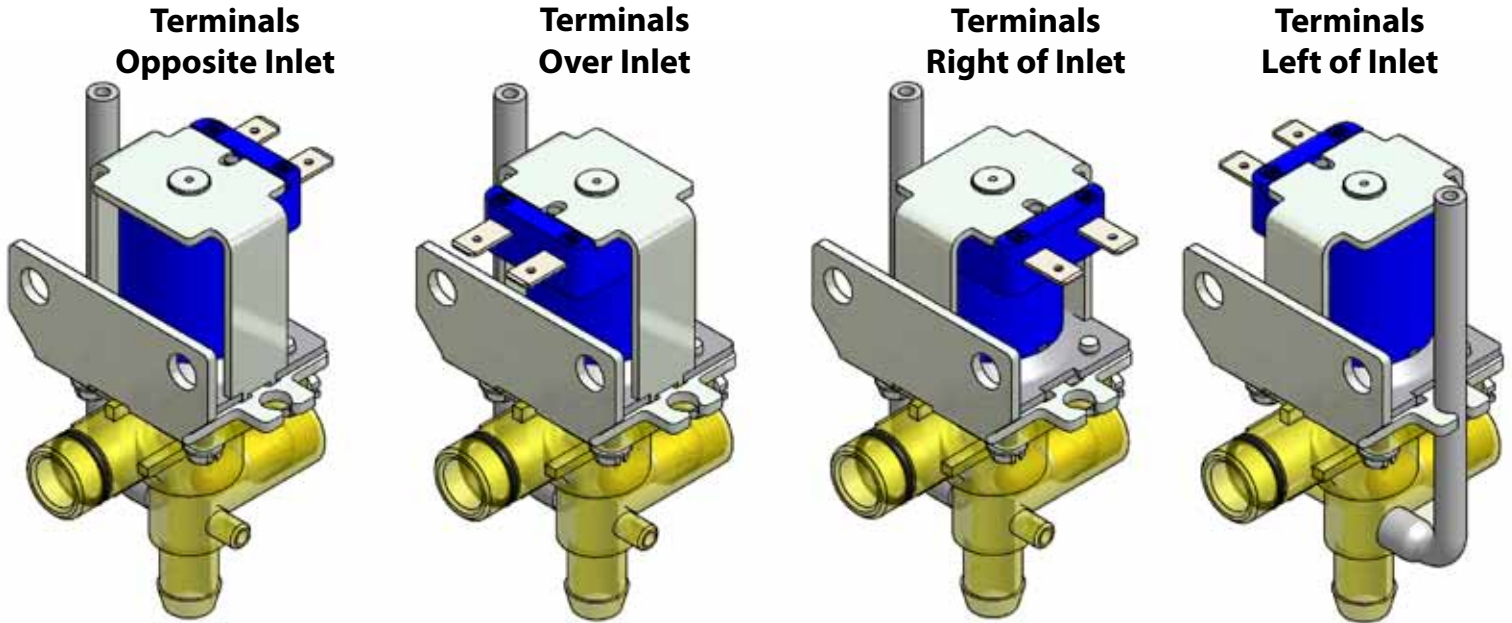


Bracket Options



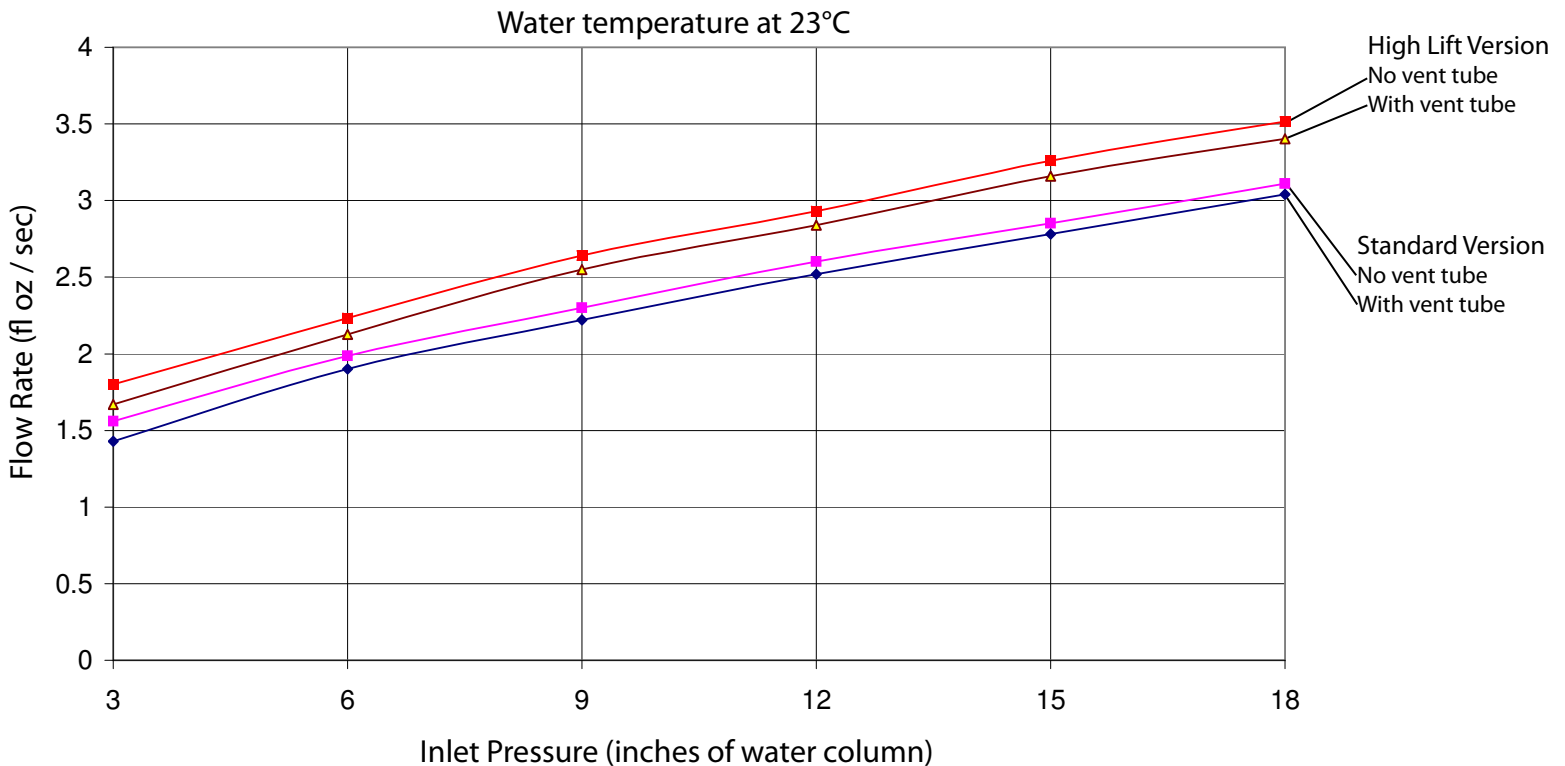
No clip on bracket for vent tube with these options

Coil Positions Options



Flow Data

Flow data is approximate and will be affected by application variables. User must verify performance in their application.



Ordering Information - Non-Standard Configurations

(Minimum Quantities Apply)

When ordering, please provide as much of the following information as possible to help specify the appropriate valve configuration for your application. If you require assistance, please contact a Deltrol Controls Sales Engineer:

1. What voltage will be supplied to the valve?

- 12VDC • 12VAC 60 Hz
- 24VDC • 24VAC 60 Hz
- 36VDC • 110/120VAC 50/60 Hz
- 220/240VAC 50/60 Hz

2. Will your application require a vent tube? (See Dimensional View on page 2)

- No
- Yes, to the left of the inlet port
- Yes, to the right of the inlet port

3. Will your application require a mounting bracket? (See Bracket Options View on page 2)

- No
- Yes, over the inlet port
- Yes, opposite the inlet port
- Yes, to the right of the inlet port
- Yes, to the left of the inlet port

4. How should the coil terminals be positioned? (See Coil Position Options on page 3)

- Over the inlet port
- To the right of the inlet port
- Opposite the inlet port
- To the left of the inlet port

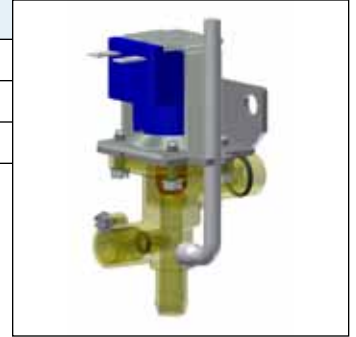
5. What coil spade terminal configuration will your application require?

- Straight, as shown in the Dimensional View on page 2
- Bent up, away from valve body (45° or 90°)
- Bent down, towards valve body (45° or 90°)

Ordering Information - Standard Configurations

The parts listed below are standard configurations that are typically available through distribution. Please contact your nearest Deltrol distributor for small volume pricing.

Part Number	Model	Voltage
70050-80	DSVP14N-6PV-8SB-2F	24 VAC
70050-81	DSVP14N-6PV-8SB-2F	110/120 VAC 50/60 HZ
70050-82	DSVP14N-6PV-8SB-2F	220/240 VAC 50/60 HZ
70049-81	DSVP14N-6PV-8SB-2F	24 VDC



- COIL TERMINATION: 0.25x0.03 TERMINALS (ORIENTED TO BACK OF INLET PORT)
- ADJUSTABLE FLOW
- VALVE BODY #6
- VENT TUBE
- VALVE BODY MATERIAL: PSU - POLYSULFONE
- DIAPHRAGM MATERIAL: VMQ - SILICONE
- #2 BRACKET (BRACKET ORIENTED OVER INLET PORT)
- AC COILS ARE INTERNALLY RECTIFIED

Part Number	Description
70084-03	SILICONE DIAPHRAGM

- SILICONE MATERIAL FOR POTABLE WATER APPLICATIONS



For other part inquiries please call our factory.