



## DSVP15N DISPENSE VALVE

2-Way, direct-acting, gravity fed solenoid valve designed to dispense water or similar media from a tank.

### Applications

- Hot & cold drink dispensers
- Tank or boiler draining
- Water purification equipment
- Potable water applications

### Features

- UR, cUR, NSF, ENEC, & WRAS Cert. (select models)
- Removable outlet port
- Multiple connection options
- Flow adjuster option
- Coil orientation every 45°
- Rectified AC coils [1]



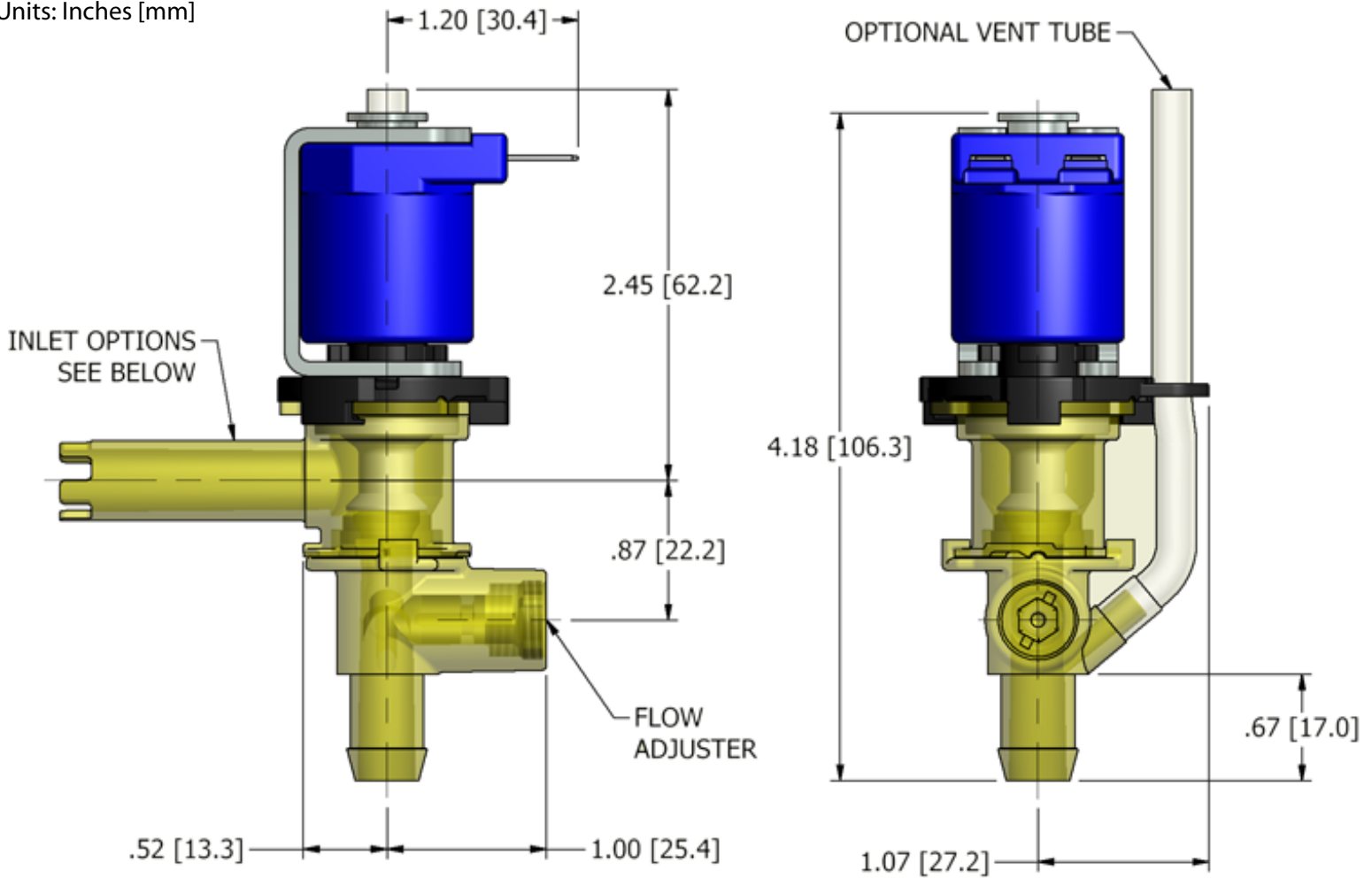
Electrical Specifications	
Coil Voltages	24, 100, 120, 200, 240 VAC 50,60 Hz [1]   12, 24, 36 VDC
Coil Power	AC valves 12W   DC valves 11W
Coil Terminals	0.25" x 0.03" spade terminals
Coil Rectification	Full wave rectifier available for AC coils (may impact certifications)
Duty Cycle	50%, 1 minute on
Coil Treatment	Polyester encapsulated
Insulation Class	Class F (155° C)
Ambient Temperature	45° C max.
Mechanical Specifications	
Media	Water up to 210° F
Operating Pressure	0-24 inches (0-60 mbar)
Operating Position	Any position between horizontal and facing up. Use of vent tube limits orientation.
Mounting Bracket	No
Inlet / Outlet Connections	See options on subsequent pages.
Vent Tube Option	Available on request - See drawing on subsequent pages.
Valve Body Material	PSU - Polysulfone
Diaphragm Material	VMQ - Silicone
Weight	5.5 oz.
Agency Approvals	
UR, cUR, NSF, ENEC, WRAS on Select Models	
Patents	
US Patent 7,938,383	

[1] AC coils are internally rectified. The rectifiers may require protection from transient voltages. It is recommended that a metal-oxide varistor (MOV) be placed in parallel at the coil.

# DSVP15N

## Dimensional View

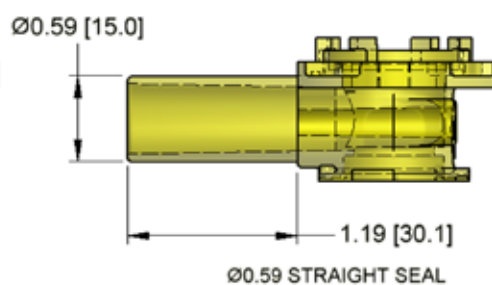
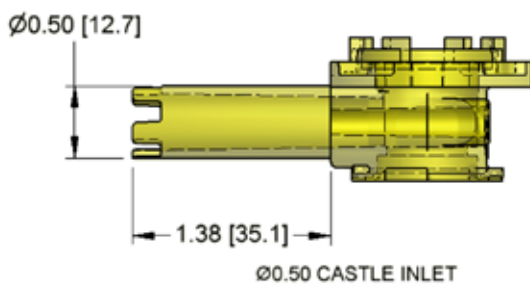
Units: Inches [mm]



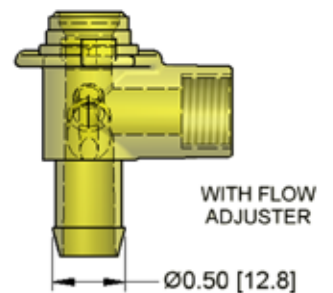
## Port Options

Units: Inches [mm]

### INLET PORTS



### OUTLET PORT

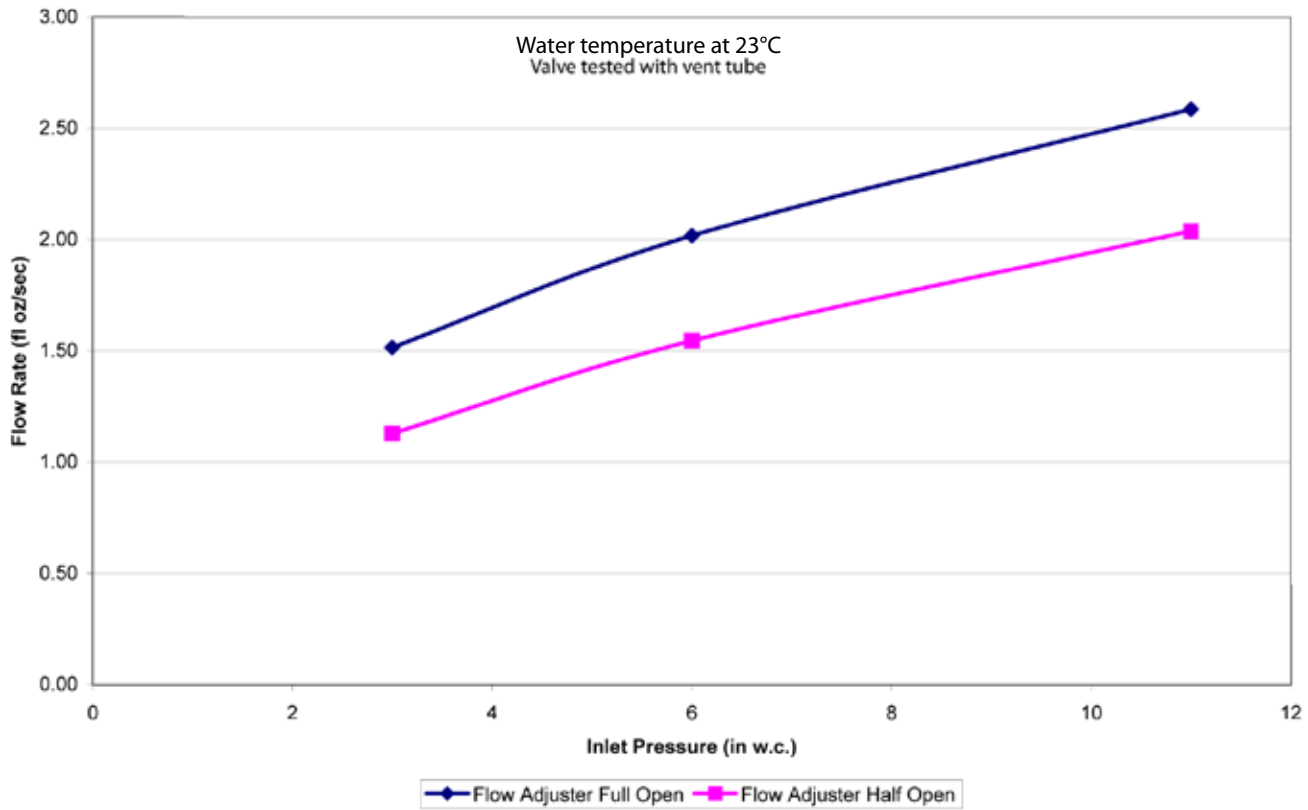


Custom port options available. Tooling charges apply.

# DSVP15N

## Flow Data

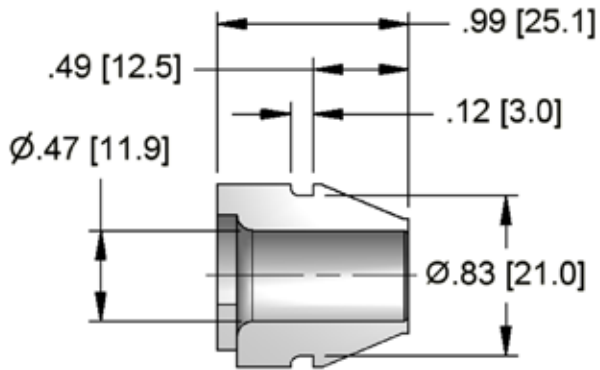
Flow data is approximate and will be affected by application variables.  
User must verify performance in their application.



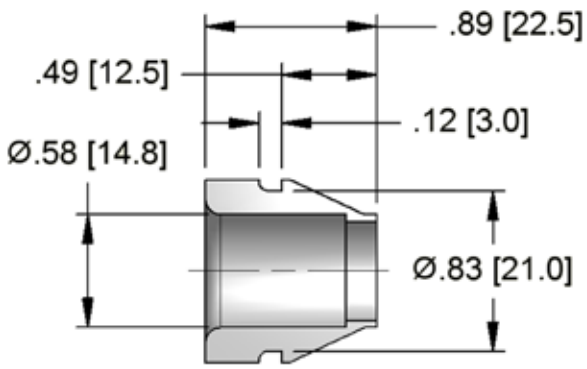
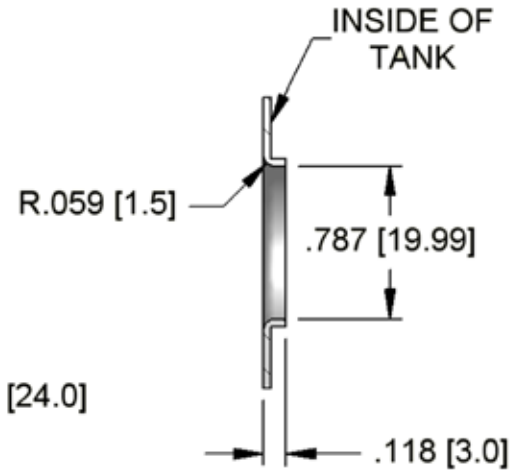
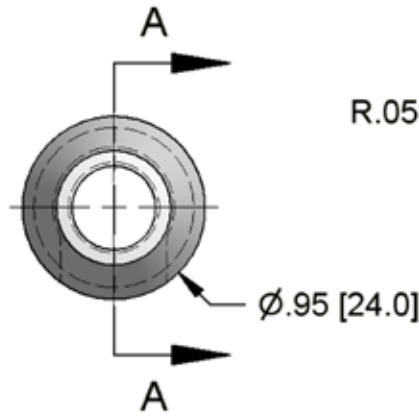
# DSVP15N

## Grommet Seal Options (Silicone)

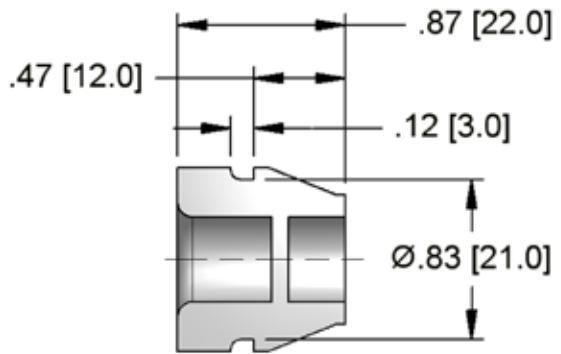
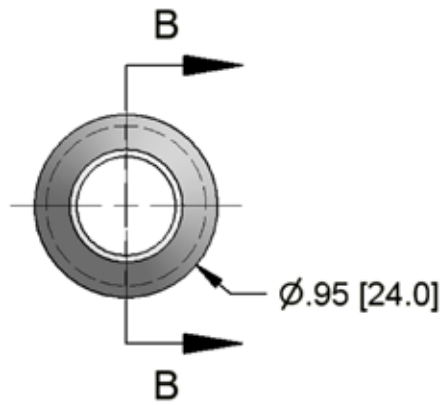
Units: Inches [mm]



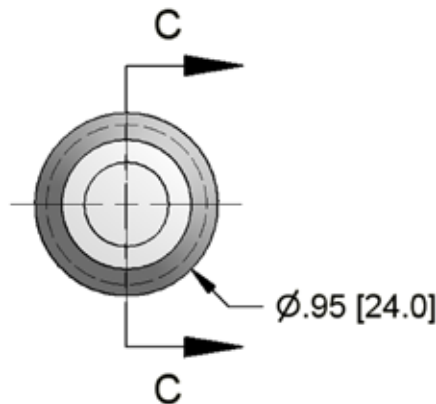
PART NO.: 70127-00  
SECTION A-A



PART NO.: 70127-02  
SECTION B-B



PART NO.: 70127-01  
SECTION C-C



## Ordering Information - Non-Standard Configurations

(Minimum Quantities Apply)

When ordering, please provide as much of the following information as possible to help specify the appropriate valve configuration for your application. If you require assistance, please contact a Deltrol Controls Sales Engineer:

1. What voltage will be supplied to the valve?

- 12VDC • 24VAC 50/60Hz
- 24VDC • 100VAC 50/60Hz
- 36VDC • 110/120VAC 50/60Hz
- 200VAC 50/60Hz
- 220/240VAC 50/60Hz

2. What inlet port option does your application require? (See Port Options on page 2)

3. Will your application require a vent tube? (See Dimensional View on page 2)

4. How should the frame leg be positioned

- Position 1, 2, or 3 (Position 2 Standard)

5. How should the coil terminals be oriented relative to the frame leg.

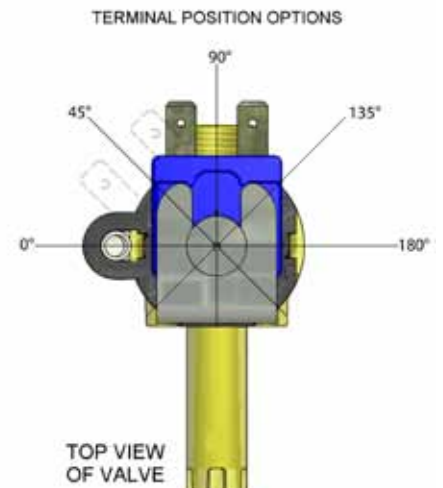
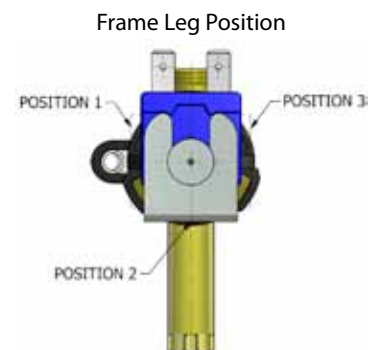
- 0°, 45°, 90°, 135°, 180° (90° standard)

6. What coil spade terminal configuration will your application require?

- Straight, as shown in the Dimensional View on page 2
- Bent up, away from valve body (45° or 90°)
- Bent down, towards valve body (45° or 90°)

7. Do you require a grommet seal? (See Seal Options on page 4)

- Yes - Indicate part number 70127-00, 70127-01, or 70127-02
- No



## Ordering Information - Standard Configurations

The parts listed below are standard configurations that are typically available through distribution. Please contact your nearest Deltrol distributor for small volume pricing.

Part Number	Model	Voltage
73010-80	DSVP15N-24D-AM	24 VDC
73011-80	DSVP15N-120E-AM	110/120 VAC 50/60 HZ
73011-81	DSVP15N-240E-AM	220/240 VAC 50/60 HZ

- COIL TERMINATION: 0.25x0.03 TERMINALS (ORIENTED OPPOSITE INLET PORT)
- ADJUSTABLE FLOW
- INLET PORT: Ø0.50 [12.7] FOR GROMMET SEAL
- OUTLET PORT: Ø0.50 [12.7] BARB

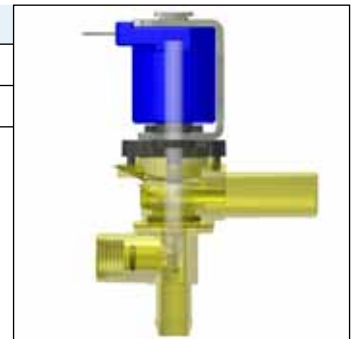
- VALVE BODY MATERIAL: PSU - POLYSULFONE
- DIAPHRAGM MATERIAL: VMQ - SILICONE
- SILICONE VENT TUBE - LEFT OF INLET PORT
- AC COILS ARE INTERNALLY RECTIFIED



Part Number	Model	Voltage
73012-80	DSVP15N-24D-AM	24 VDC
73013-80	DSVP15N-120E-AM	110/120 VAC 50/60 HZ
73013-81	DSVP15N-240E-AM	220/240 VAC 50/60 HZ

- COIL TERMINATION: 0.25x0.03 TERMINALS (ORIENTED OPPOSITE INLET PORT)
- ADJUSTABLE FLOW
- INLET PORT: Ø0.59 [15.0] FOR GROMMET SEAL
- OUTLET PORT: Ø0.50 [12.7] BARB

- VALVE BODY MATERIAL: PSU - POLYSULFONE
- DIAPHRAGM MATERIAL: VMQ - SILICONE
- SILICONE VENT TUBE - LEFT OF INLET PORT
- AC COILS ARE INTERNALLY RECTIFIED



Part Number	Description
73004-00	SILICONE DIAPHRAGM

- SILICONE MATERIAL FOR POTABLE WATER APPLICATIONS

