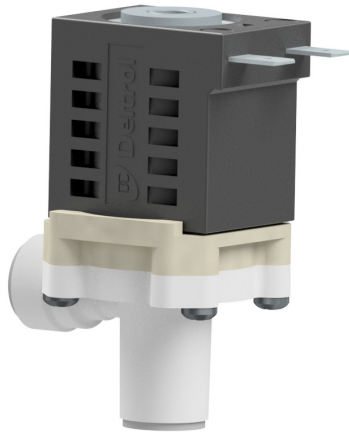


DSVP18N



DSVP18N DISPENSE VALVE

2-Way solenoid valve designed to dispense still or carbonated water 0 to 6 psi and withstand a carbonation pressure up to 150 psi prior to vent and dispense.

Applications

- Control the flow of carbonated water

Features

- Inlet I.D. and orifice are the same diameter
- Uniform internal transitions reduce decarbonization



Electrical Specifications	
Coil Voltages	12, 24 *
Coil Power	16 watts intermittent
Coil Terminals	0.25" x 0.03" spade terminals
Duty Cycle	Intermittent *
Coil Treatment	Polyester encapsulated (Flame retardant grade)
Insulation Class	Class F 311° F [155° C]
Ambient Temperature	30° C max
Mechanical Specifications	
Media	Still or carbonated water up to 30° C
Operating Pressure	0-6 psi (Static pressure up to 150 psi)
Burst Pressure	450 psi
Operating Position	Any
Flow Rate	4 oz/sec @ 5 psi
Mounting	Mounting boss integrated into valve body
Inlet / Outlet Connections	8 mm push-to-connect
Valve Body Material	PA66- Nylon
Seal Material	EPDM Rubber
Product Weight	8.0 oz
Agency Certifications	
	NSF

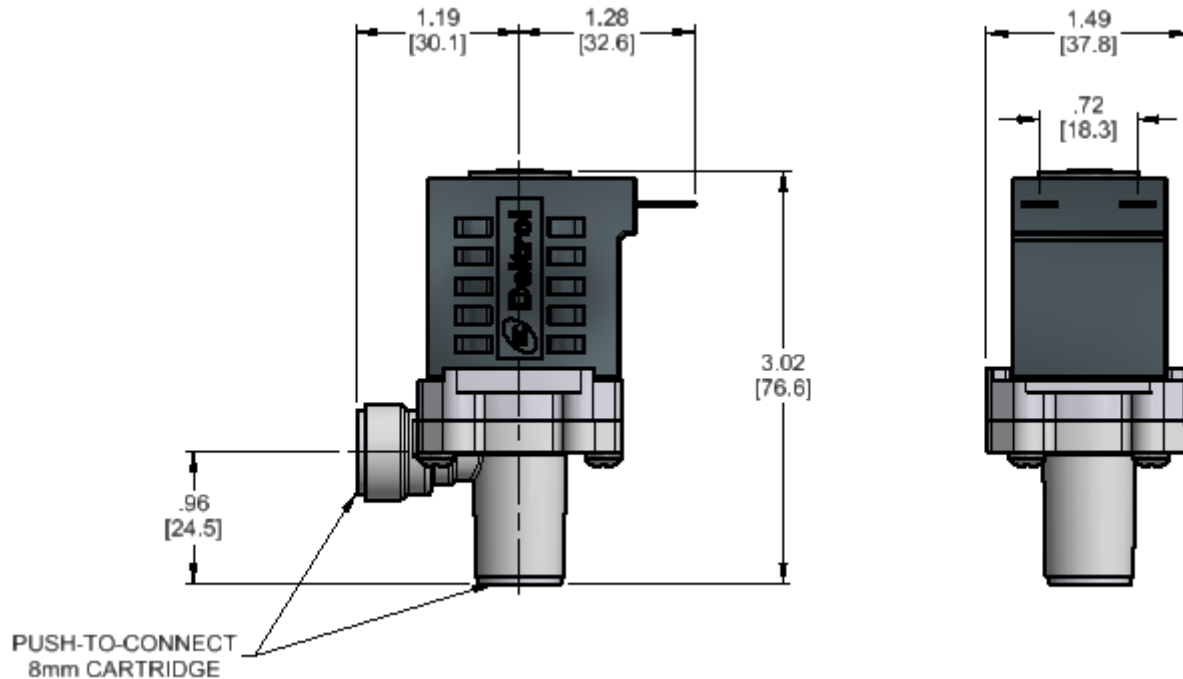
* PWM option to boost pressure performance and improve duty cycle

DSVP18N



Dimensional Drawing

Units: Inches [mm]



Deltrol DSVP18N carbonated water dispensing valve is offered as a standard product with the options listed in this data sheet. If customer technical specifications require different features not offered as a standard, the DSVP18N design allows for customization. Examples include, but are not limited to, different port connections, coil voltages and coil termination. Please contact Deltrol Sales Department for additional information, sample or quote requests.