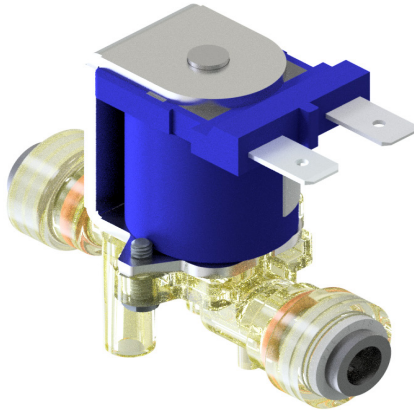


2-WAY SOLENOID STEAM VALVE

2-way normally closed solenoid valve with wet plunger design.



Applications

- Beverage machines
- Vending equipment
- Water purification equipment
- Potable water applications

Features

- Up to 38 psi MOPD
- Push-in or barb fittings
- UL and NSF certified
- PPSU body
- Class H (180°C) construction
- Suitable for water, air & steam

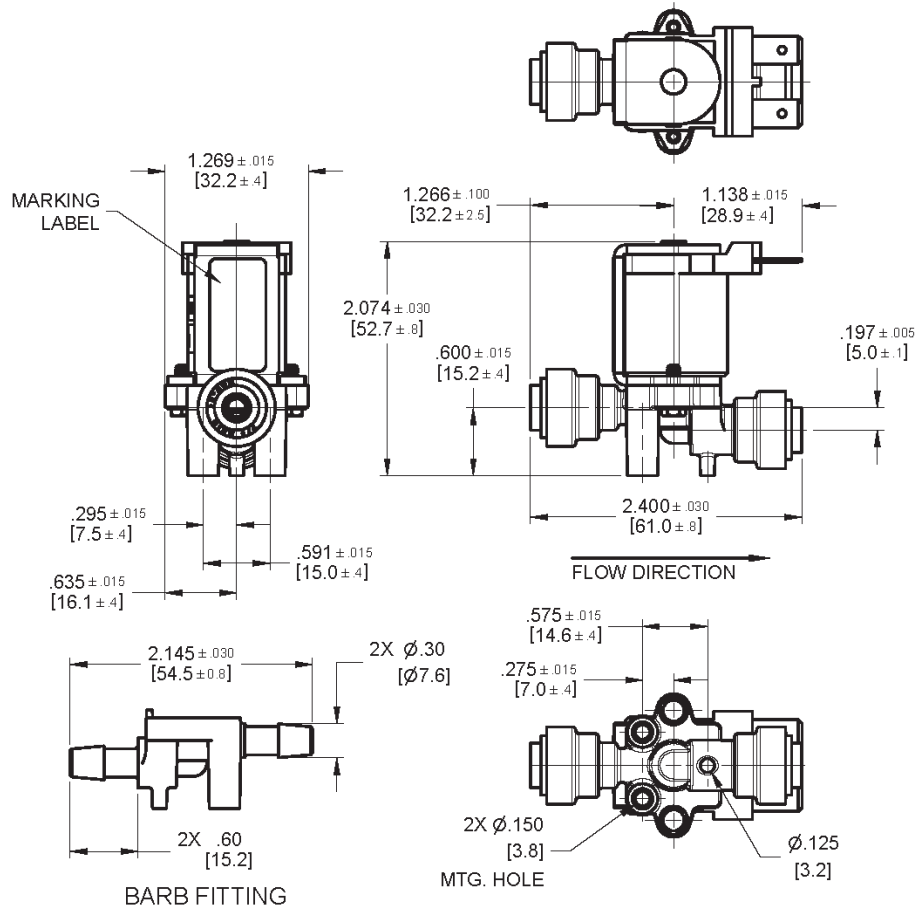
Electrical Specifications	
Coil Voltages	12, 24, 36 VDC
Coil Power	7 watts
Coil Terminals	0.25" Quick connect spade terminals
Duty Cycle	Continuous 100%
Coil Treatment	Polyester encapsulated
Insulation Class	Class H 356° F [180° C]
Ambient Temperature	77° F [25° C]
Mechanical Specifications	
Media	Water, air, steam [1]
Media Temperature	Up to 284° F [140° C] for barbed fittings; 266° F [130° C] for push-in fittings
Operating Pressure	38 psi [2.6 bar] for barbed fittings; 25 psi [1.7 bar] for push-in fittings
Burst Pressure	450 psi
Inlet / Outlet Connections (See page 4 for tube size and assy notes)	0.25" quick connect push-in fittings ¼" barb fittings for ¼" I.D. PTFE tubing
Mounting	2 Ø0.15 [3.8] holes on body for self tapping screw
Valve Body Material	PPSU- Polyphenylsulfone
Seal Material	Fluorocarbon
Product Weight	4 oz
Agency Certifications	
	UR, cUR, NSF

[1] Saturated steam up to 38 psi [2.6 bar], 284° F [140° C] for barbed fittings; 25 psi [1.7 bar], 266° F [130° C] for push-in fittings

DSV28N-NC-S

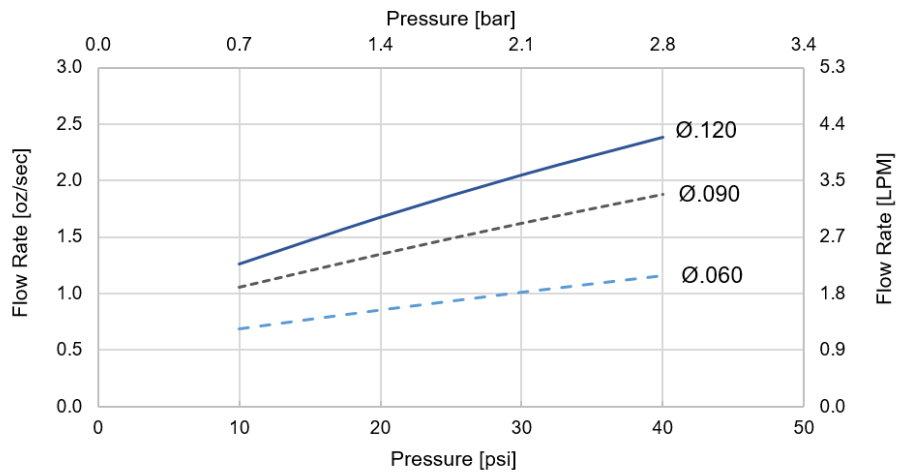
Dimensional Drawing

Units: Inches [mm]



Flow Rate

DSV28 Flow Curves
Wet Plunger - Steam



DSV28N-NC-S



Ordering Information

DSV28N - NC - S- XXXX - XX - XXX

COIL VOLTAGE

12 VDC = 012D
24 VDC = 024D
36 VDC = 036D

PORT FITTINGS

QC 1/4 = Q2
1/4" BARB = B1

VALVE SEAT DIAMETER

Ø0.120 [3.0] = 120
Ø0.088 [2.2] = 088
Ø0.060 [1.5] = 060

DSV28N-NC-S



The cartridges used in these valves are Kynar cartridges.

Operating Temp:

+35° to 210° F, [UP TO 284° F for Steam]

Tube Types:

Plastic Tube - PTFE conforming to the tolerances below.

Metal Tube (soft) - Brass, copper, or mild steel conforming to the tolerance shown below. Recommended for steam. Hard metal tubing is not recommended.

It is essential that the outside diameter is free from score marks and that the tube be deburred before inserting into the cartridges. Small chamfer on outside of tubing is recommended.

Tube Tolerances:

Size: 0.25"

Tolerance: +0.001/-0.004

Cleaners and Sanitizing of Kynar Fittings:

Cartridges incorporate kynar parts. Our advise to customers is to use cleaners and sanitizing agents that are above pH4 and low in hypochlorite level. Kynar fittings and parts that are cleaned and/or sanitized should be rinsed immediately with copious amounts of clean tap water to remove all traces of the cleaners.

Warranty:

While we give a warranty against defects in manufacture or materials, it is the responsibility of the specifier to ensure that fittings and related products are suitable for their application. The installation must be carried out correctly in accordance with our recommendations complying with recognized codes of practice and relevant national standards, and be properly maintained. Please refer to our terms and conditions of sale.

Product Selection:

Due to the wide variety of operating conditions, applications, and uses of our products, it is the user's / specifiers responsibility, through their own testing analysis, to ensure correct product selection for their applications.

Side Loads:

Connections should not be subject to excessive side loads or used as support brackets. Tubing and fittings should be adequately supported to prevent excessive side loading.

Customers are advised to carry out appropriate testing to ensure cartridges are suitable for their application.