

DSVP40-S



DSVP40-S SOLENOID VALVE

Pilot-operated solenoid valve designed to control the flow of water.



Applications

- Coffee machines
- Vending equipment
- Ice maker equipment
- Water purification equipment
- Potable water applications

Features

- UL Certified
- Economical construction
- Encapsulated coil
- Multiple flow washer options



SELECT MODELS

Electrical Specifications

Coil Voltages	24, 120, 240 VAC 50,60 Hz 12, 24 VDC
Coil Power	24 VAC 8W, 120 VAC 9VA, 240 VAC 6 VA 12 VDC 6.9W, 24 VDC 8W
Coil Terminals	0.25" spade terminals
Duty Cycle	Intermittent •10 min on / 5 min off @25° C media / ambient •3 min on / 5 min off @90° C media / ambient
Coil Treatment	Nylon encapsulated
Insulation Class	Class A (105° C)
Ambient Temperature	5-60° C

Mechanical Specifications

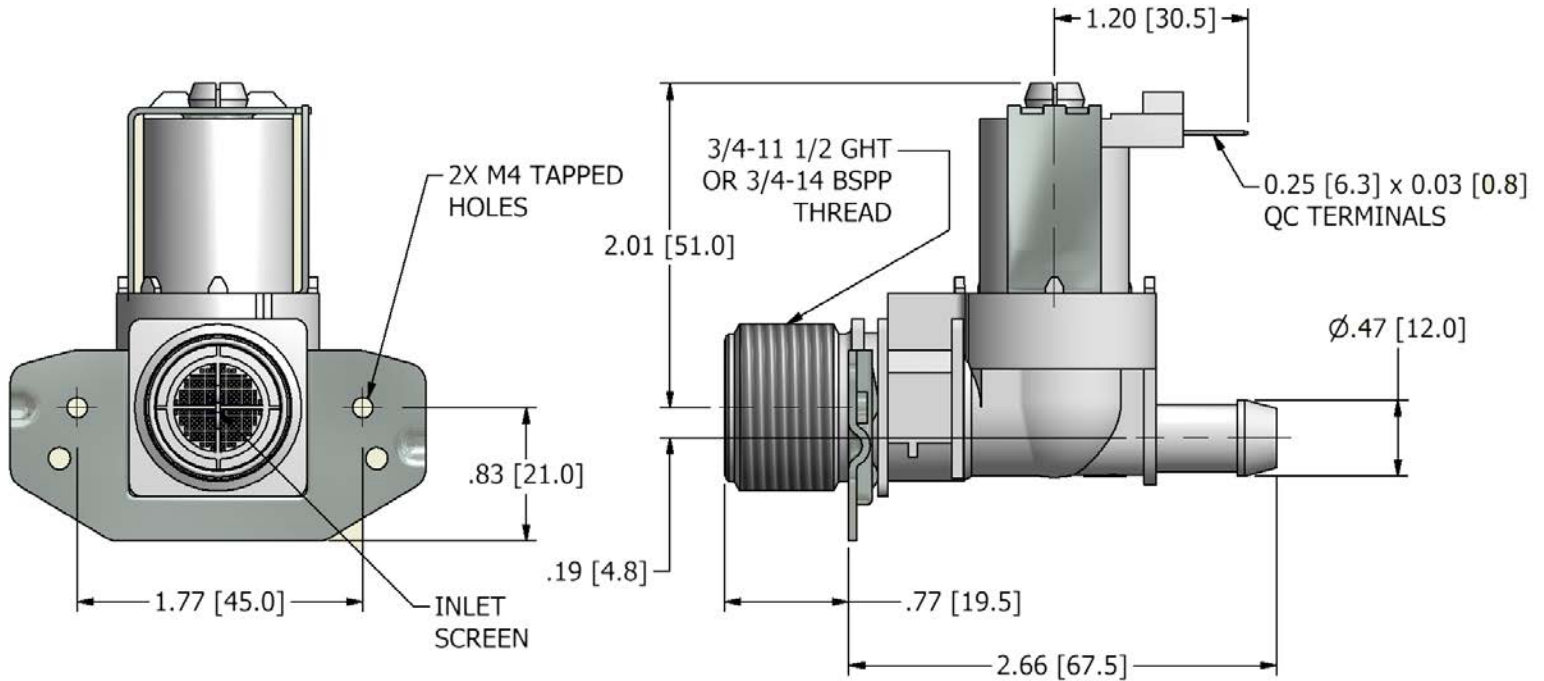
Media	Water
Operating Pressure	5-145 psi
Burst Pressure	870 psi
Flow Regulator Options	0.26, 0.53, 0.8, 1.3, 2.0, 3.7 gpm
Inlet / Outlet Connections	Inlet: 3/4-11 1/2 GHT or 3/4-14 BSPP Outlet: Ø0.47 barb
Mounting	Bracket available in 90° increments
Filter Screen	Removable plastic screen in inlet port
Valve Body Material	Glass filled nylon
Seal Material	EPDM
Product Weight	3.5 oz.

Agency Approvals	UR, cUR, NSF
-------------------------	--------------

DSVP40-S

Dimensional View

Units: Inches [mm]



Ordering Information

DSVP40 - S - 1 - B - 3.7 - 3
1 2 3 4

1. Coil voltage

- 1 = 120 VAC
- 2 = 240 VAC
- 3 = 24 VAC
- 4 = 24 VDC
- 5 = 12 VDC

2. Coil terminal position

- B = Back, opposite inlet port (standard)
- L = Left of inlet port *
- R = Right of inlet port *
- F = Terminals face toward inlet port

3. Flow regulator

- N/A = None
- 0.26 = 0.26 gpm (1.0 lpm)
- 0.53 = 0.53 gpm (2.0 lpm)
- 0.80 = 0.80 gpm (3.0 lpm)
- 1.3 = 1.3 gpm (5.0 lpm)
- 2.0 = 2.0 gpm (7.5 lpm)
- 3.7 = 3.7 gpm (14.0 lpm)

4. Bracket

- 3 = Standard mounting bracket (as shown in drawing)
- X = No bracket

* when viewing valve with inlet facing you

Standard Part Numbers 3/4"-11 1/2 GH Thread

Part Number	Coil Voltage	Water Flow	Model Description
75032-80	110/120 VAC 50/60HZ	0.26 GPM	DSVP40-S-1-B-.26-3
75032-81	110/120 VAC 50/60HZ	0.53 GPM	DSVP40-S-1-B-.53-3
75032-82	110/120 VAC 50/60HZ	0.80 GPM	DSVP40-S-1-B-0.8-3
75032-83	110/120 VAC 50/60HZ	1.32 GPM	DSVP40-S-1-B-1.32-3
75032-85	110/120 VAC 50/60HZ	2.00 GPM	DSVP40-S-1-B-2-3
75032-86	110/120 VAC 50/60HZ	3.70 GPM	DSVP40-S-1-B-3.7-3
75032-90	110/120 VAC 50/60HZ	N/A	DSVP40-S-1-B-N/A-3
75033-80	220/240VAC 50/60HZ	0.26 GPM	DSVP40-S-2-B-.26-3
75033-81	220/240VAC 50/60HZ	0.53 GPM	DSVP40-S-2-B-.53-3
75033-82	220/240VAC 50/60HZ	0.80 GPM	DSVP40-S-2-B-0.8-3
75033-83	220/240VAC 50/60HZ	1.32 GPM	DSVP40-S-2-B-1.32-3
75033-85	220/240VAC 50/60HZ	2.00 GPM	DSVP40-S-2-B-2-3
75033-86	220/240VAC 50/60HZ	3.70 GPM	DSVP40-S-2-B-3.7-3
75033-90	220/240VAC 50/60HZ	N/A	DSVP40-S-2-B-N/A-3
75034-80	24VAC 50/60HZ	0.26 GPM	DSVP40-S-3-B-.26-3
75034-81	24VAC 50/60HZ	0.53 GPM	DSVP40-S-3-B-.53-3
75034-82	24VAC 50/60HZ	0.80 GPM	DSVP40-S-3-B-0.8-3
75034-83	24VAC 50/60HZ	1.32 GPM	DSVP40-S-3-B-1.32-3
75034-85	24VAC 50/60HZ	2.00 GPM	DSVP40-S-3-B-2-3
75034-86	24VAC 50/60HZ	3.70 GPM	DSVP40-S-3-B-3.7-3
75034-90	24VAC 50/60HZ	N/A	DSVP40-S-3-B-N/A-3
75035-80	24VDC	0.26 GPM	DSVP40-S-4-B-.26-3
75035-81	24VDC	0.53 GPM	DSVP40-S-4-B-.53-3
75035-82	24VDC	0.80 GPM	DSVP40-S-4-B-0.8-3
75035-83	24VDC	1.32 GPM	DSVP40-S-4-B-1.32-3
75035-85	24VDC	2.00 GPM	DSVP40-S-4-B-2-3
75035-86	24VDC	3.70 GPM	DSVP40-S-4-B-3.7-3
75035-90	24VDC	N/A	DSVP40-S-4-B-N/A-3

Standard Part Numbers 3/4"-14 BSPP Thread

Part Number	Coil Voltage	Water Flow	Model Description
75016-80	110/120 VAC 50/60HZ	0.26 GPM	DSVP40-S-1-B-.26-3
75016-81	110/120 VAC 50/60HZ	0.53 GPM	DSVP40-S-1-B-.53-3
75016-82	110/120 VAC 50/60HZ	0.80 GPM	DSVP40-S-1-B-0.8-3
75016-83	110/120 VAC 50/60HZ	1.32 GPM	DSVP40-S-1-B-1.32-3
75016-85	110/120 VAC 50/60HZ	2.00 GPM	DSVP40-S-1-B-2-3
75016-86	110/120 VAC 50/60HZ	3.70 GPM	DSVP40-S-1-B-3.7-3
75016-90	110/120 VAC 50/60HZ	N/A	DSVP40-S-1-B-N/A-3
75017-80	220/240VAC 50/60HZ	0.26 GPM	DSVP40-S-2-B-.26-3
75017-81	220/240VAC 50/60HZ	0.53 GPM	DSVP40-S-2-B-.53-3
75017-82	220/240VAC 50/60HZ	0.80 GPM	DSVP40-S-2-B-0.8-3
75017-83	220/240VAC 50/60HZ	1.32 GPM	DSVP40-S-2-B-1.32-3
75017-85	220/240VAC 50/60HZ	2.00 GPM	DSVP40-S-2-B-2-3
75017-86	220/240VAC 50/60HZ	3.70 GPM	DSVP40-S-2-B-3.7-3
75017-90	220/240VAC 50/60HZ	N/A	DSVP40-S-2-B-N/A-3
75018-80	24VAC 50/60HZ	0.26 GPM	DSVP40-S-3-B-.26-3
75018-81	24VAC 50/60HZ	0.53 GPM	DSVP40-S-3-B-.53.3
75018-82	24VAC 50/60HZ	0.80 GPM	DSVP40-S-3-B-0.8-3
75018-83	24VAC 50/60HZ	1.32 GPM	DSVP40-S-3-B-1.32-3
75018-85	24VAC 50/60HZ	2.00 GPM	DSVP40-S-3-B-2-3
75018-86	24VAC 50/60HZ	3.70 GPM	DSVP40-S-3-B-3.7-3
75018-90	24VAC 50/60HZ	N/A	DSVP40-S-3-B-N/A-3
75019-80	24VDC	0.26 GPM	DSVP40-S-4-B-.26-3
75019-81	24VDC	0.53 GPM	DSVP40-S-4-B-.53-3
75019-82	24VDC	0.80 GPM	DSVP40-S-4-B-0.8-3
75019-83	24VDC	1.32 GPM	DSVP40-S-4-B-1.32-3
75019-85	24VDC	2.00 GPM	DSVP40-S-4-B-2-3
75019-86	24VDC	3.70 GPM	DSVP40-S-4-B-3.7-3
75019-90	24VDC	N/A	DSVP40-S-4-B-N/A-3