



DSVP41 SOLENOID VALVE

Pilot-operated solenoid valve designed to control the flow of water.

Applications

- Coffee machines
- Vending equipment
- Ice maker equipment
- Water purification equipment
- Potable water applications

Features

- UL & NSF certified
- Robust mounting bracket and inlet fitting
- Encapsulated coil
- Multiple flow washer options

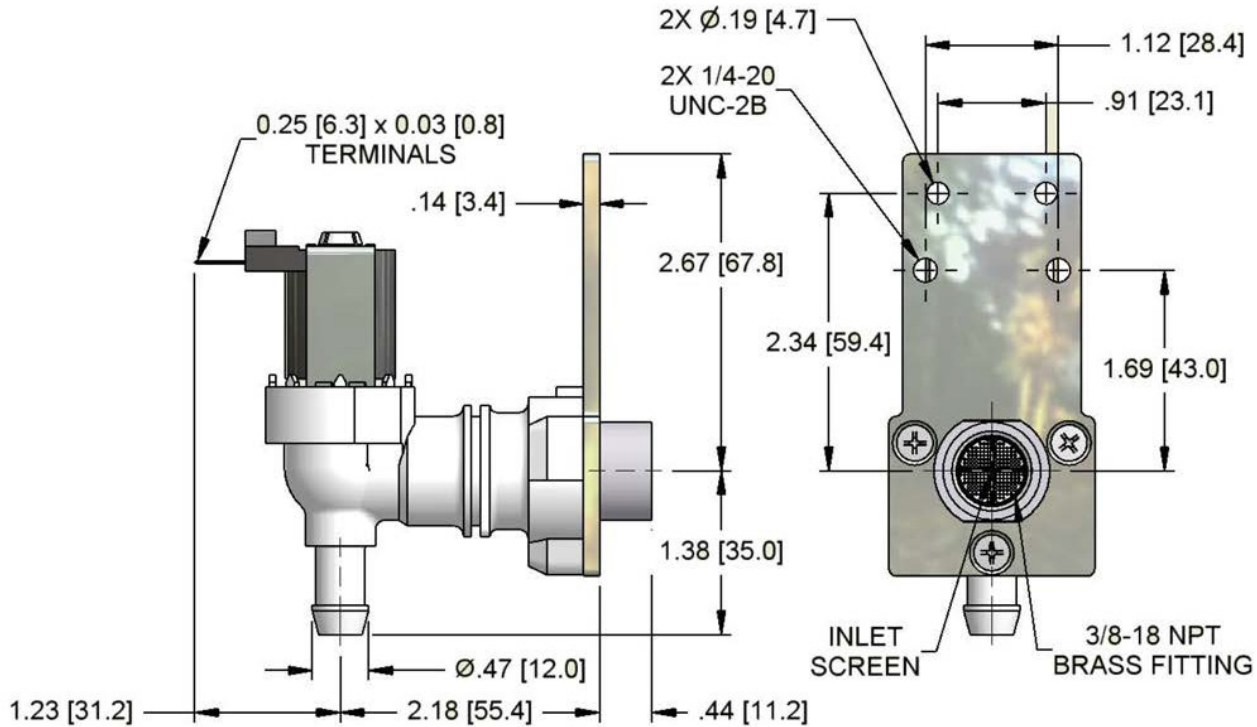


SELECT MODELS

Electrical Specifications	
Coil Voltages	24, 120, 240 VAC 50,60 Hz 12, 24 VDC
Coil Power	24 VAC 8W, 120 VAC 9VA, 240 VAC 6 VA 12 VDC 6.9W, 24 VDC 8W
Coil Terminals	0.25" spade terminals
Duty Cycle	Intermittent <ul style="list-style-type: none"> •10 min on / 5 min off @25° C media / ambient •3 min on / 5 min off @90° C media / ambient
Coil Treatment	Nylon encapsulated
Insulation Class	Class A (105° C)
Ambient Temperature	5-60° C
Mechanical Specifications	
Media	Water
Operating Pressure	5-145 psi
Burst Pressure	870 psi
Flow Regulator Options	0.26, 0.53, 0.8, 1.3, 2.0, 3.7 gpm
Inlet / Outlet Connections	Inlet: 3/8-18 NPT Brass fitting Outlet: Ø0.47 barb
Mounting	Bracket available in 90° increments
Filter Screen	Removable plastic screen in inlet port
Valve Body Material	Glass filled nylon
Seal Material	EPDM
Product Weight	6.3 oz (179 gms)
Agency Approvals	
	UR, cUR, NSF

Dimensional View

Units: Inches [mm]



Ordering Information

DSVP41 - R - 1 - B - 3.7 - 3
 1 2 3 4

1. Coil voltage

- 1 = 120VAC
- 2 = 240VAC
- 3 = 24 VAC
- 4 = 24 VDC
- 5 = 12 VDC

3. Flow regulator

- N/A = None
- 0.26 = 0.26 gpm (1.0 lpm)
- 0.53 = 0.53 gpm (2.0 lpm)
- 0.80 = 0.80 gpm (3.0 lpm)
- 1.3 = 1.3 gpm (5.0 lpm)
- 2.0 = 2.0 gpm (7.5 lpm)
- 3.7 = 3.7 gpm (14.0 lpm)

2. Coil terminal position

- B = Back, opposite inlet port (standard)
- L = Left of inlet port *
- R = Right of inlet port *
- F = Terminals face toward inlet port

4. Bracket

- 2 = Standard mounting bracket (as shown in drawing)
- 1 = No bracket

* when viewing valve with inlet facing you