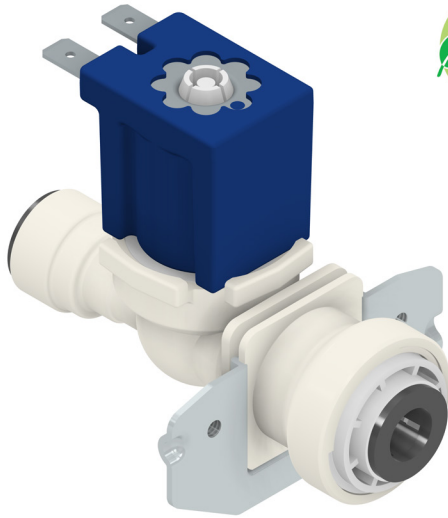


# DSVP45



## DSVP45 SOLENOID VALVE

Direct-acting solenoid valve designed to control the flow of water.

### Applications

- Coffee machines
- Vending equipment
- Ice maker equipment
- Water purification equipment
- Potable water applications

### Features

- UL Certified
- Economical construction
- Encapsulated coil
- Multiple flow washer options



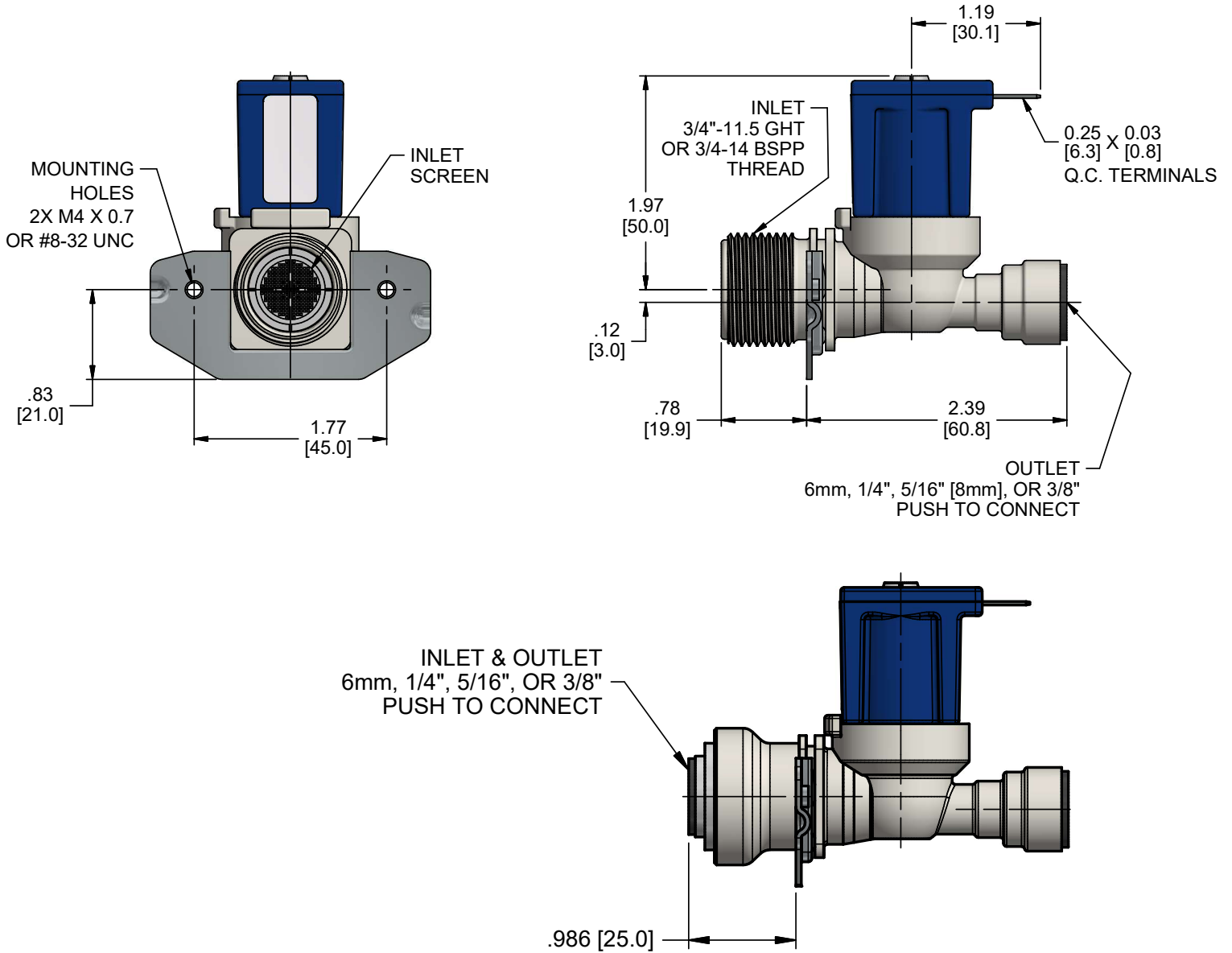
SELECT MODELS

Electrical Specifications	
Coil Voltages	24, 120, 240 VAC 50, 60 Hz   12, 24 VDC
Coil Power	20W
Terminals	1/4" spade terminals
Duty Cycle	Intermittent (25° C Ambient) 3 min ON, 5 min OFF
Coil Treatment	Polyester encapsulated
Insulation Class	Class F (155° C)
Ambient Temperature	25° C max
Mechanical Specifications	
Media	Water
Operating Pressure	0-120 psi
Burst Pressure	725 psi
Flow Regulator Options	0.26, 0.66, 0.79, 0.92, 1.1, 1.25, 1.45, 2.0, 2.64, 3.0, 4.2 GPM
Inlet / Outlet Connections	See dimensional view for options
Mounting	See dimensional view for options
Filter Screen	Removable plastic screen in inlet port
Valve Body Material	Glass filled nylon
Seal Material	EPDM
Product Weight	3.5 oz.
Agency Approvals	
	UR, cUR, NSF

# DSVP45

## Dimensional View

Units: Inches [mm]



## Ordering Information

DSVP45 – S – A – Q4 – 1 – B – 3.7 – 3  
1 2 3 4 5 6

### 1. Inlet Port

- A = 3/4-11.5 GHT (American)
- B = 3/4-14 BSPP (British)
- Q1 = 6mm push-to-connect
- Q2 = 1/4" push-to-connect
- Q3 = 5/16" push-to-connect
- Q4 = 3/8" push-to-connect

### 2. Outlet Port

- Q1 = 6mm push-to-connect
- Q2 = 1/4" push-to-connect
- Q3 = 5/16" push-to-connect
- Q4 = 3/8" push-to-connect

### 3. Coil Voltage

- 1 = 120 VAC
- 2 = 240 VAC
- 3 = 24 VAC
- 4 = 24 VDC
- 5 = 12 VDC

### 4. Coil Terminal Position

- B = back, opposite inlet port
- L = left of inlet port\*
- R = right of inlet port\*
- F = terminals facing toward inlet port

\*when viewing valve with inlet facing you

### 5. Flow Controller: GPM [LPM]

- |              |               |
|--------------|---------------|
| • 0.26 [1.0] | • 1.45 [5.5]  |
| • 0.66 [2.5] | • 2.0 [7.6]   |
| • 0.79 [3.0] | • 2.65 [10.0] |
| • 0.92 [3.5] | • 3.0 [11.4]  |
| • 1.1 [4.0]  | • 3.7 [14.0]  |
| • 1.25 [4.7] | • 4.2 [15.9]  |
| • N/A (none) |               |

### 6. Bracket

- 3 = Standard mounting bracket (see diagram)
- X = No bracket