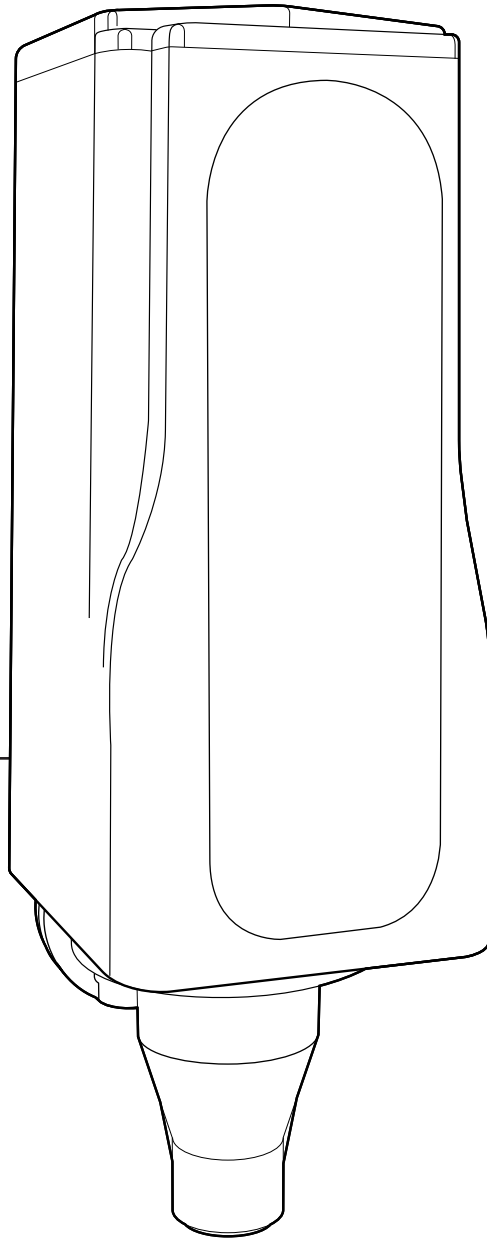


# DTV1

## TOUCHLESS VALVE

---

### PRODUCT MANUAL



©Deltrol Controls - A Division of Deltrol Corp  
2740 South 20th Street | Milwaukee, WI 53215  
P: 414.671.6800 | F: 414.671.6809





# TOUCHLESS VALVE

## BATTERY-OPERATED BEVERAGE DISPENSE VALVE

There are two sensors, two LED indicators, and two switches that will be used for the operation of the dispenser.



1. Top sensor



2. Hidden on/off switch



3. Red LED / battery status



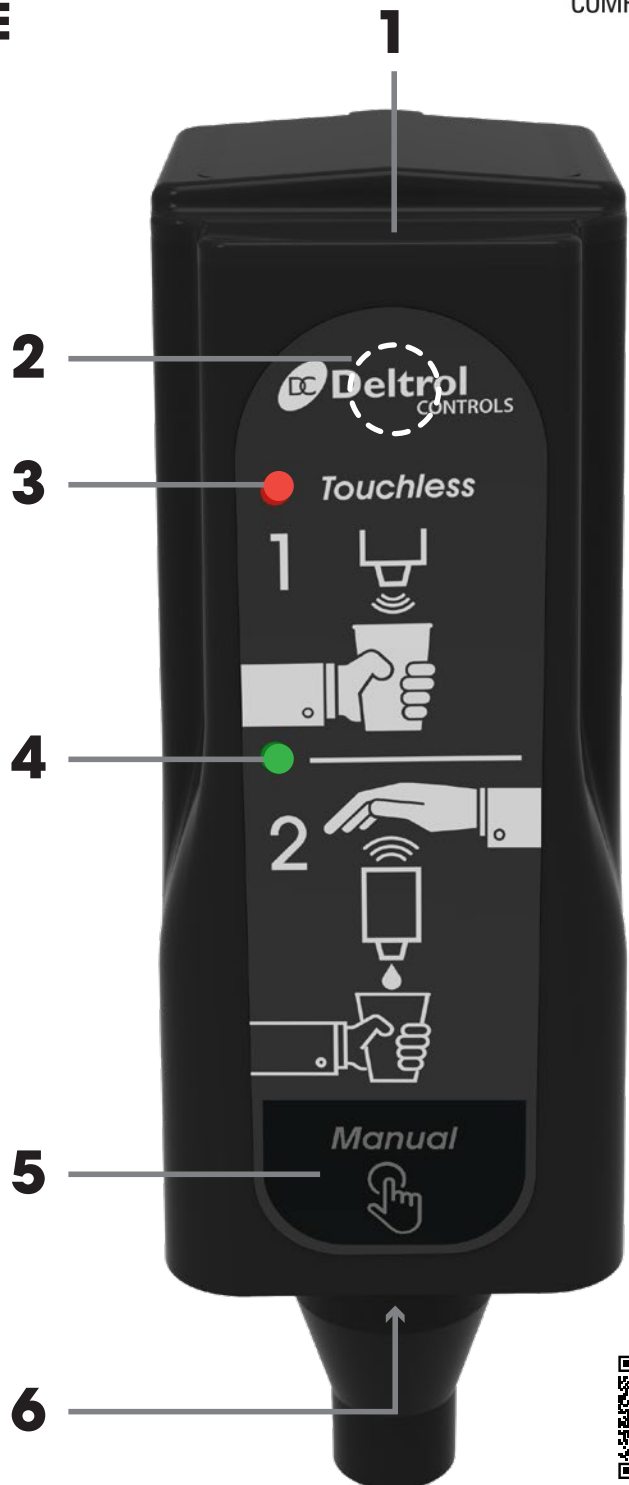
4. Green LED / indicator



5. Manual pour switch



6. Bottom sensor



SCAN QR CODE FOR  
ADDITIONAL GUIDES

# OPERATING THE DEVICE

## GENERAL FUNCTIONS



function	switch	action	response
<b>POWER ON</b>		Depress ON/OFF switch 2-3 seconds	LED solid for 3 second. Sensors inactive for up to 10 seconds after power on.
<b>POWER OFF</b>		Depress switch 2-3 seconds	LED blink for 3 seconds.
<b>BOTTOM SENSOR (CUP)</b>		Sensor is activated by cup	Wake top sensor. User has 5 seconds to begin dispense. LED to blink/flicker while active.
<b>TOP SENSOR (HAND)</b>		Sensor is activated by hand	No LED indication. Continuous flow time limit of 30 seconds. Re-activation of flow allowed within 3 seconds of pause in dispense.
<b>MANUAL POUR</b>		Depress to pour, release to stop	No LED indication. Limit of total dispense time upon continual depress is 30 seconds.
<b>DUMP FUNCTION</b>		Depress manual switch for at least 2 seconds, then press and release on/off switch to open valve	Open valve for 30 seconds.
<b>STOP FUNCTION</b>		Depress either manual switch OR on/off switch to STOP function	End dump.



SCAN QR CODE FOR ADDITIONAL GUIDES

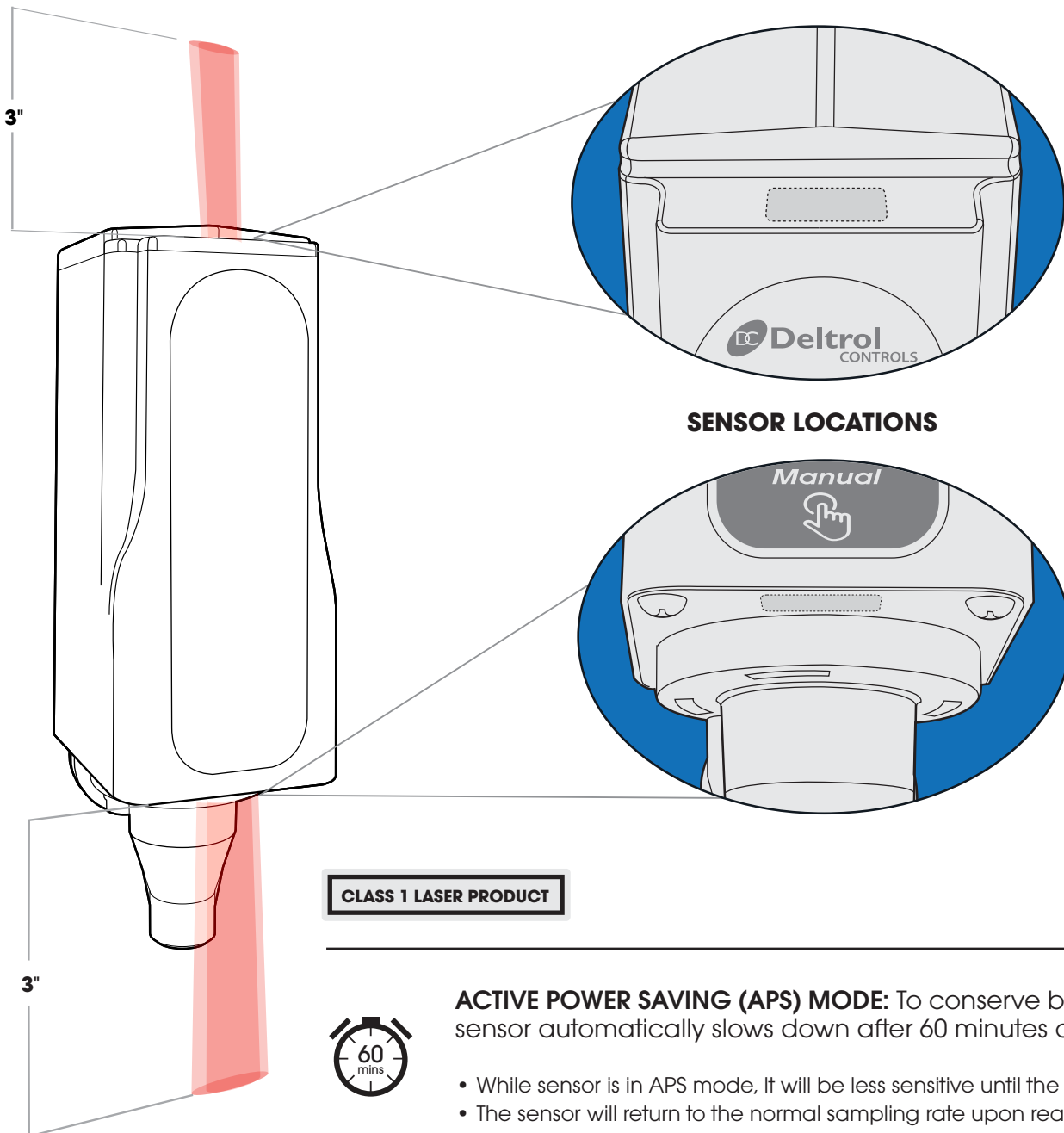
# OPERATING THE DEVICE

## SENSOR LOCATION & ACTIVATION ZONES

1. Place cup beneath bottom sensor.  
*Green LED will flash once cup is recognized.*

2. Place hand within top activation zone  
within 5 seconds to initiate dispense.

Top off: Repeated top-off dispenses are  
allowed with 3 second max pauses.

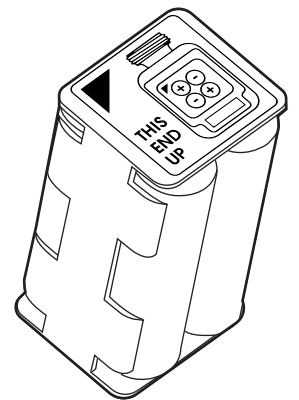
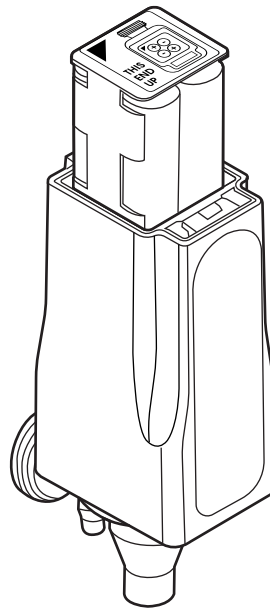
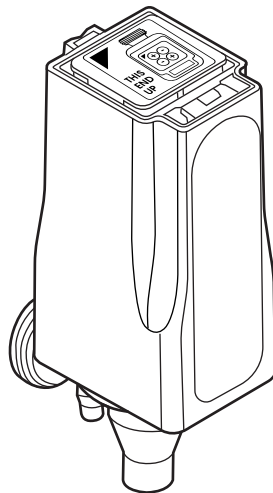
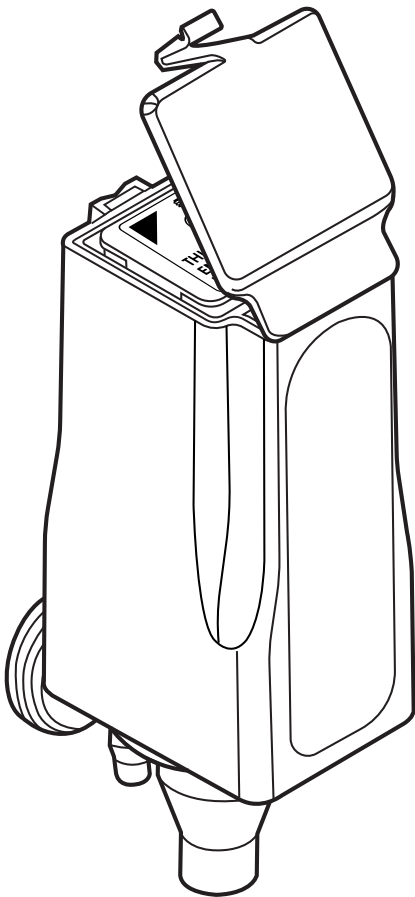


**ACTIVE POWER SAVING (APS) MODE:** To conserve battery life the sensor automatically slows down after 60 minutes of no use.

- While sensor is in APS mode, It will be less sensitive until the next activation.
- The sensor will return to the normal sampling rate upon reactivation.

# OPERATING THE DEVICE

## BATTERY REPLACEMENT




### LOW BATTERY ALERT

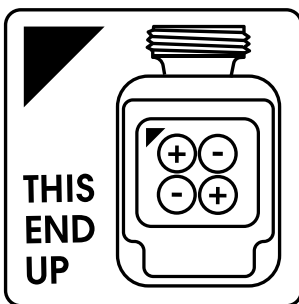
 Blink continuously

Battery voltage approaching minimum operating value and should be replaced.

### BATTERY DEPLETED MODE

 Valve is disabled, red LED blinks slowly

Battery voltage dropped below minimum operating value and must be replaced.



**AA Lithium or Alkaline batteries may be used.**

Typical battery life in the DTV1 is approx. 3 months when cycled 100 times per day and left on for 24 hours per day.

### BATTERY LIFE IS DEPENDENT ON:

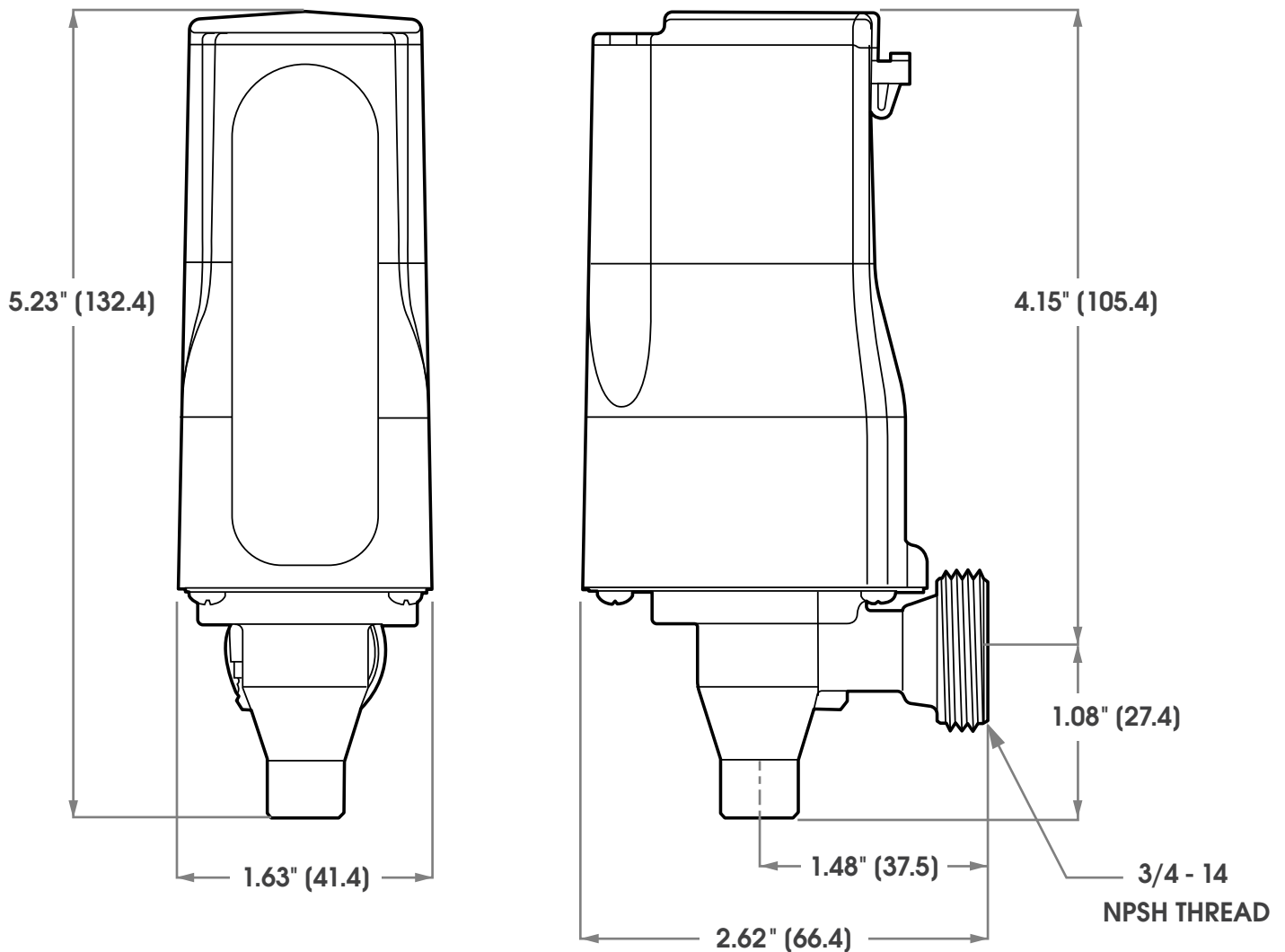
- How often the valve dispenses
- The quality of the batteries used
- If the valve is powered off when not in use



**SCAN QR CODE FOR  
ADDITIONAL GUIDES**

# TOUCHLESS VALVE

## PRODUCT DIMENSIONS AND SPECIFICATIONS



### PRODUCT SPECIFICATIONS:

**Media:** Beverage without particulates up to 98° C (similar viscosity to water)

**Max Operating Pressure:** 60 mbar (24" water column)

**Inlet Connection:** 3/4 - 14 NPSH thread

**Typical Flow Rate:** 60 ml/sec (2 oz/sec) at 15 mbar (6" water column)

**Ambient Temp Range:** 1 - 38° C (34 - 100° F)

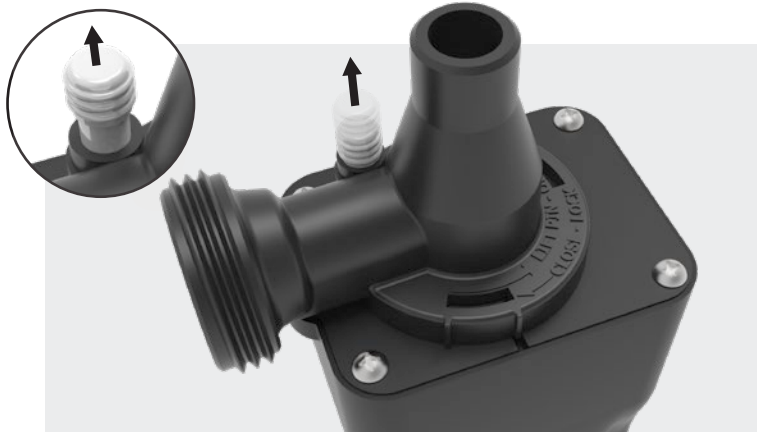
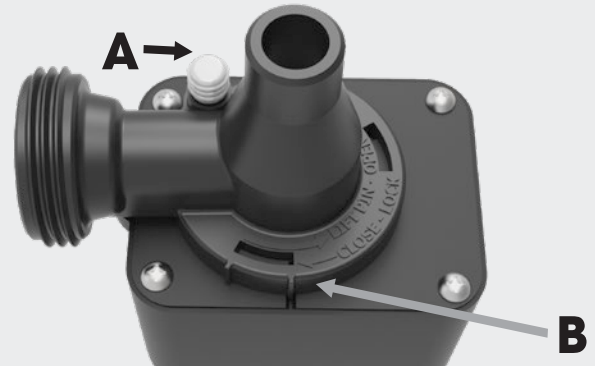


SCAN QR CODE FOR  
ADDITIONAL GUIDES

# DEVICE MAINTENANCE CLEANING INSTRUCTIONS

- Ensure server is empty prior to removing valve.
- Do not disassemble valve while it is attached to server.
- Do not submerge or pour water over electrical housing.

**EXAMINE THE UNDERSIDE OF THE VALVE**  
Note the location of (A) spring loaded pull pin and (B) alignment marks.



**STEP 1: LIFT PIN. WHILE PIN IS HELD UP YOU WILL BE ABLE TO ROTATE VALVE BODY**

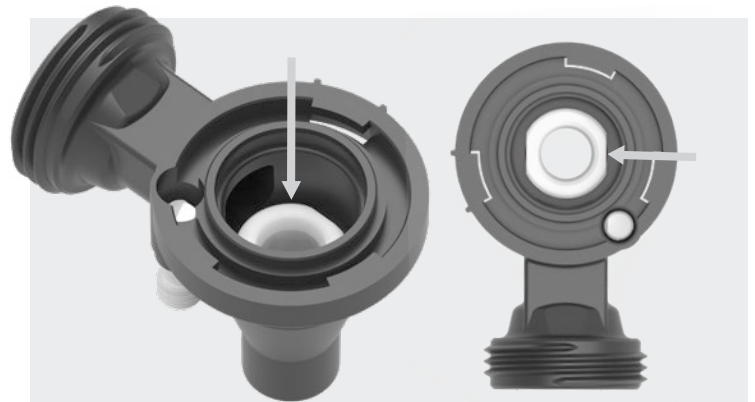


**STEP 2: ROTATE VALVE BODY COUNTER CLOCKWISE TO REMOVE VALVE BODY**



**STEP 3: REMOVE VALVE BODY**  
(Spring pin returns to normal position)

- Valve seal assembly is removable. **Do not** remove spring from stainless steel core.
- Silicone seal can be rinsed clean or replaced if necessary.



**NOTE: CARE MUST BE TAKEN TO NOT DAMAGE VALVE SEAT**  
(Use a soft, non-abrasive cloth to clean)

**PREPARATION TIPS:**

**Prepare** a fresh bleach solution each day in a well-ventilated area that is separate from children.

**Label** bottles of bleach solution with contents, ratio and date mixed.

**Use cool water.** Always add bleach to cool water, **NOT** water to bleach.

**Wear gloves and eye protection.**

**Prepare** solution in an area with an eye wash.



**STEP 4: CLEAN COMPONENTS (EXCLUDING ELECTRICAL HOUSING)**

- Clean the surface with soap and water before disinfecting or sanitizing.
- Rinse with clean water & dry with paper towel.
- Apply chlorine bleach and water solution to the entire area to be disinfected or sanitized.
- Air dry for at least 2 hours.

SANITIZING SOLUTIONS			
WATER	BLEACH STRENGTH*		
	2.75%	5.25-6.25%	8.25%
1 Gallon	1 Tablespoon	2 Teaspoons	1 Teaspoon
1 Quart	1 Teaspoon	1/2 Teaspoon	1/4 Teaspoon

\*Use only plain unscented bleach that lists the percent (%) strength on the manufacturer's label. Read the label on the bleach bottle to determine the bleach strength.



**STEP 5: WIPE DOWN ELECTRICAL HOUSING WITH A WARM, DAMP CLOTH**

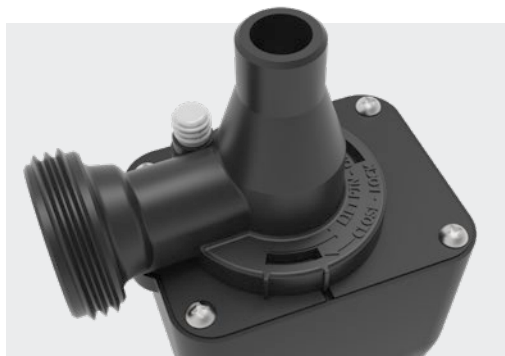


**STEP 6: PLACE SEAL SPRING ASSEMBLY INTO ELECTRICAL HOUSING**



**STEP 7: PLACE VALVE BODY ONTO ELECTRICAL HOUSING, AS SHOWN (spring pin will rise 4mm)**

- Once the valve body is aligned in the correct position, rotate clockwise and the pin will spring back to its original position.



**STEP 8: BEFORE FILLING**

- The valve should be operated at least once to reseal the seal before filling server with liquid. This should be done using normal sensor activation or the manual button after reassembly.



**SCAN QR CODE to learn more or to order replacement parts**

- Remember to inspect/clean regularly to ensure optimal performance.



## DELTRON CONTROLS TERMS AND CONDITIONS FOR DTV1 TOUCHLESS VALVE

---

1. The quantity(ies) and requested delivery time(s) for each release of products will be set forth in customer's purchase order(s) or EDI transaction statements received and agreed to by Deltrol ("Specific Delivery Terms"). Except for the Specific Delivery Terms, no other terms and conditions set forth in any customer purchase order or EDI transaction statement will apply to the sale of products. Orders are firm and not subject to cancellation or revision except with the written consent of Deltrol. Customer is responsible for all reasonable cancellation charges.
2. Unless otherwise expressly agreed in writing, all products are manufactured on a "make and ship" basis. Customer agrees to release for shipment and accept products on this basis. Unless otherwise expressly agreed in writing, customer pays the freight. Delivery term is F.O.B. Deltrol's plant.
3. Customer may inspect all products delivered in a reasonable time, place and manner; provided, however, that inspection for obvious defects must occur within five (5) days of receipt. Customer shall give written notice of rejection within two (2) days after completion of inspection. Acceptance shall be deemed to occur after such two-day period, absent notice of rejection. With respect to any goods properly rejected hereunder, Deltrol shall have a commercially reasonable time thereafter in which to cure by tendering conforming goods. Claims for shortages shall be made upon receipt of products or within three (3) days thereafter.
4. Deltrol reserves the right to pass through extraordinary increases in the direct costs of our products to the customer. Deltrol will give not less than 30 days' prior notice of any product price change. Product prices do not include sales, use or other taxes, tariffs or government charges arising out of or related to the manufacture or sale of the products. All such taxes, tariffs or charges, other than taxes on Deltrol's income, will be paid by customer. Payment terms are net thirty (30) days from the invoice date, subject to credit approval.
5. If customer fails to pay for any shipments on terms or reasonable grounds for insecurity otherwise arise, Deltrol will have the right to revoke any credit customer has and/or suspend further shipments until receipt of adequate assurance of performance from customer. Deltrol reserves the right to assess all amounts not paid on terms with interest at the rate of 1.0% per month, unless this rate exceeds the highest rate permitted by law, in which event the rate shall be the highest rate permitted by law. Customer will pay all invoice amounts without setoff or deduction of any kind. Customer will pay all costs and expenses (including but not limited to reasonable legal fees) incurred by Deltrol to collect late payments or other amounts due from customer.
6. Deltrol's performance will be excused upon and during continuation of any event, condition or occurrence beyond Deltrol's reasonable control, including but not limited to fire, flood, storm, acts of God, war, civil insurrection, epidemic, pandemic, quarantine, government lockdown, acts of terrorism, labor disturbances and lack of transportation services, utilities or supplies.
7. Deltrol warrants that, for 120 days following the date of sale, the products manufactured by Deltrol will (a) conform to all published Deltrol specifications and (b) be free from defects in materials and workmanship. Deltrol will not be liable under any circumstances where the claimed damages result from (1) normal wear and tear items such as seals, valve bodies, etc., (2) use of the products in applications that are not approved by Deltrol or under extreme environmental conditions or without proper physical protection or enclosures, (3) faulty installation or incorrect wiring of the products by anyone other than Deltrol, (4) failure to maintain the products in accordance with Deltrol recommendations, (5) repair or alteration of the products by anyone other than Deltrol or at any location other than a Deltrol facility, (6) any abuse or neglect of the products, or (7) any accident involving the products caused by anyone other than Deltrol. In addition, Deltrol will not be liable under any circumstances where the claimed damages result from customer or a third party failing to store, handle, use or distribute the products in accordance with Deltrol specifications or best practices in the applicable industry. **OTHER THAN THE LIMITED WARRANTY CONTAINED HEREIN, DELTROL MAKES NO WARRANTIES, EXPRESS OR IMPLIED, WITH RESPECT TO THE QUALITY OR PERFORMANCE OF THE PRODUCTS, INCLUDING BUT NOT LIMITED TO THE IMPLIED WARRANTIES OF MERCHANTABILITY AND FITNESS FOR PARTICULAR PURPOSE WHICH ARE HEREBY DISCLAIMED AND EXCLUDED.**
8. Customer will promptly notify Deltrol of any products that do not conform to the limited warranties. Notice of non-conformity must be received by Deltrol within 120 days of sale. Deltrol will have a reasonable opportunity to inspect and test or re-test any such products before return. Products may not be returned to Deltrol without Deltrol's prior approval. Customer's exclusive remedies for non-conformity of any products to such warranties shall be for Deltrol to repair or replace any non-conforming products. Deltrol shall decide whether to repair or replace such products and repairs shall be performed at the location designated by Deltrol. Customer must return the product intact to such location at Customer's expense. If Deltrol is unable or unwilling to repair or replace any non-conforming products within a commercially reasonable time, then Deltrol will provide a refund or credit on account of any non-conforming products in the amount of the purchase price of such products.
9. In no event will Deltrol's obligation or liability for breach of contract or otherwise exceed the purchase price of the product which is the subject of any dispute between the parties or any third party claim or cause of action. **DELTRON SHALL NOT UNDER ANY CIRCUMSTANCES BE LIABLE TO ANYONE FOR CONSEQUENTIAL, SPECIAL, EXEMPLARY OR PUNITIVE DAMAGES.**

**TERMS AND CONDITIONS CONTINUED...**

10. Unless and solely to the extent customer has paid all costs and expenses of any design or development work performed by Deltrol for the customer, all right, title and interest in and to such work shall vest in and remain with Deltrol, and customer hereby assigns (and shall cause its employees or representatives to assign) to Deltrol all of their right, title and interest in and to such work, and Deltrol shall be free to exploit such work on behalf of any customer. Notwithstanding Deltrol's delivery of products to customer, customer agrees that (a) Deltrol is the exclusive owner of and retains all right, title and interest in and to all inventions developed or conceived of by Deltrol (or its employees or affiliates), and all associated patent rights, (b) Deltrol is the exclusive owner of and retains all right, title and interest in and to all other intellectual property rights developed or acquired by Deltrol that relate to the products, and (c) Deltrol has not provided to customer any express or implied license to use any Deltrol trademark, service mark, trade dress, or trade name. Deltrol will have no obligation for any intellectual property infringement claim due to (x) any use of Deltrol products in combination with other products or materials or in a manner not expressly authorized by Deltrol or that involves any modification of Deltrol's products, or (y) any Deltrol products made to customer's specifications or design.
11. Privacy Consent Notice: Deltrol collects and maintains certain personal data in its business-to-business relationships, as needed for the purposes described below, including the customer's representatives' or employees' name, title, email address, phone numbers and mailing address ("Personal Data"). Such Personal Data may be needed in order for Deltrol to be able to communicate with the customer and to manage the sale and supply of products to the customer. Deltrol may share Personal Data with its affiliates in order to support the sale or supply of products and related services. Deltrol and its affiliates will collect and use Personal Data in accordance with applicable privacy and data protection laws, in order to communicate with the customer regarding pending and potential supply activities, for customer management purposes and other legitimate business purposes concerning the customer's and Deltrol's business relationship. It is the customer's responsibility to inform its employees and representatives of the information set out in this clause. It is also customer's responsibility to ensure the security and integrity of the Personal Data when it is in transit from the customer to Deltrol. **CUSTOMER CONSENTS AND WILL SECURE ALL NECESSARY CONSENT AND AUTHORITY OF ITS EMPLOYEES AND REPRESENTATIVES TO AND FOR THE TRANSFER TO AND PROCESSING OF ANY PERSONAL DATA TO DELTROL AND ITS AFFILIATES WHETHER LOCATED IN THE UNITED STATES OR ANY OTHER COUNTRIES FOR THE PURPOSES DESCRIBED IN THIS PARAGRAPH OR FOR ANY OTHER PURPOSE TO WHICH CUSTOMER CONSENTS.** Customer will indemnify, defend and hold harmless Deltrol and its affiliates from and against any claim arising out of or in connection with the customer's failure to comply with this clause or any privacy and data protection laws applicable to the customer.
12. Indemnity: If any products sold to customer are not used by customer in accordance with Deltrol's catalogs, manuals, or specifications, customer agrees to defend, protect and hold Deltrol harmless against all suits at law or in equity and from all costs, expenses, fees, damages, claims and demands arising out of such use by customer.
13. Any notice required herein shall be given in writing and in a manner expressly provided herein. Any such notice shall be effective as follows: (i) if sent via e-mail and mail, when transmission is confirmed and a hard copy has been deposited in the mail; (ii) if sent via overnight courier, on the next business day following deposit with a recognized overnight courier service; (iii) if sent via certified mail, on the third mail day following deposit with the postal service; or, (iv) if delivered by hand, when received by an agent or representative of the recipient. Any such notice must be addressed and sent to an authorized official of the recipient.
14. In the event of a conflict or inconsistency between the quote, order acknowledgement or invoice and these terms and conditions, the quote, order acknowledgement or invoice shall prevail. Deltrol may correct clerical errors in any quote, order acknowledgement or invoice and send customer a corrected version.
15. All offers to purchase, quotations, and contracts of sale are subject to final acceptance by us at our office at Milwaukee, Wisconsin. If customer is a U.S. resident, this agreement will be governed by and construed in accordance with the laws of the State of Wisconsin, without regard to its conflicts of law principles and Deltrol and customer agree that any disputes arising under or in connection with the agreement will be litigated, if at all, solely in the courts of the State of Wisconsin and/or federal courts located in the County of Milwaukee and/or the City of Milwaukee, Wisconsin. If customer is not a U.S. resident, any claim or controversy arising out of or relating to these terms and conditions, including but not limited to its breach, existence, validity or enforceability, will be settled by binding arbitration by a single arbitrator under the Commercial Rules of Arbitration of the American Arbitration Association and conducted in Milwaukee, Wisconsin, U.S.A., and the laws of the State of Wisconsin and the United States will govern these terms and conditions, irrespective of its conflicts of law provisions. The arbitrator's ruling shall be final and may be enforced in any court of competent jurisdiction. The United Nations Convention on Contracts for the International Sale of Goods shall not apply to this Agreement. The language of the agreement is English. Any claim or cause of action for breach of warranty must be made or brought, as the case may be, within one year after the claim or cause of action has accrued.
16. These terms and conditions are (i) a final written expression of all of the terms of the parties' agreement with respect to the subject matter hereof and (ii) a complete and exclusive statement of those terms. These terms may only be amended or supplemented in a writing signed by duly authorized representatives of the parties. This agreement shall be binding upon and inure to the benefit of the parties' respective successors and permitted assigns. Either party may assign the agreement to a buyer of all or substantially all of the assets of such party dedicated to the performance of the agreement.