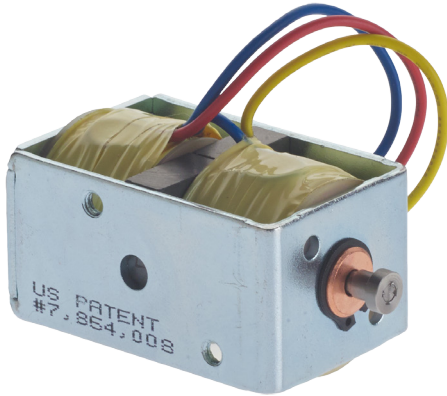




MAGNETIC LATCHING SOLENOID

Bi-stable magnetic latching solenoid with an internal permanent magnet.



Features

- Innovative design provides more pull and hold force than other solenoids of similar size.
- Low power consumption

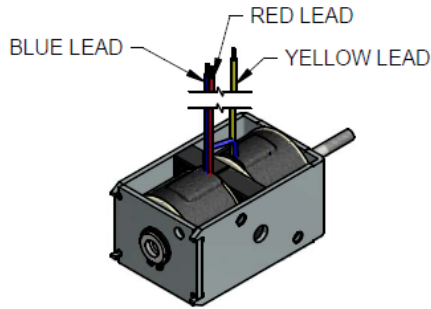
Electrical Specifications	
Coil Voltages	12, 24 VDC
Coil Power	15 Watts Intermittent, 58 Watts Pulse
Coil Termination	Wire leads - 22 AWG (Standard)
Duty Cycle	Intermittent & Pulse Duty
Coil Treatment	Tape wrapped
Insulation Class	Class B Rating - (130° C)
Dielectric Strength	30 Volts and Under: 500 VRMS
Mechanical Specifications	
Size	2.011" [51.1] (L) x 1.000" x [25.4] (W) x 1.218" [30.9] (H) See page 2 for dimensional drawing
Forces	See force curves on page 3
Plunger Diameter	Ø 0.438" [11.1]
Plunger Guide Material	Plastic
Mounting	2X #6-32 UNC-2B Mounting Holes
Weight	Total - 6.3 oz [178.6 gms]
Life Expectancy	250,000 Cycles (Dependent on load conditions)
Agency Approvals	
	UL File No. E74443 For Insulation Systems S130
Patent	
	US Patent #7,854,008

Dimensions: inches [mm]

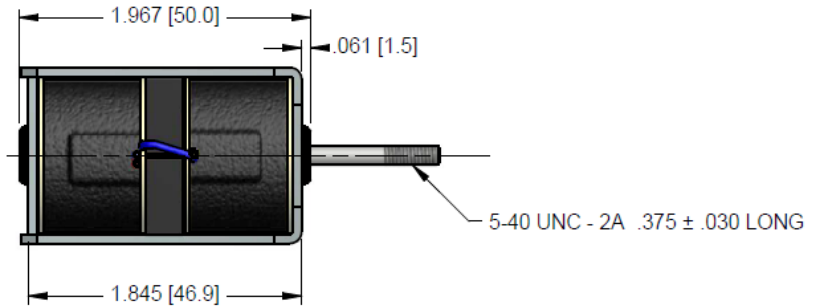
D11-ML

Dimensional View

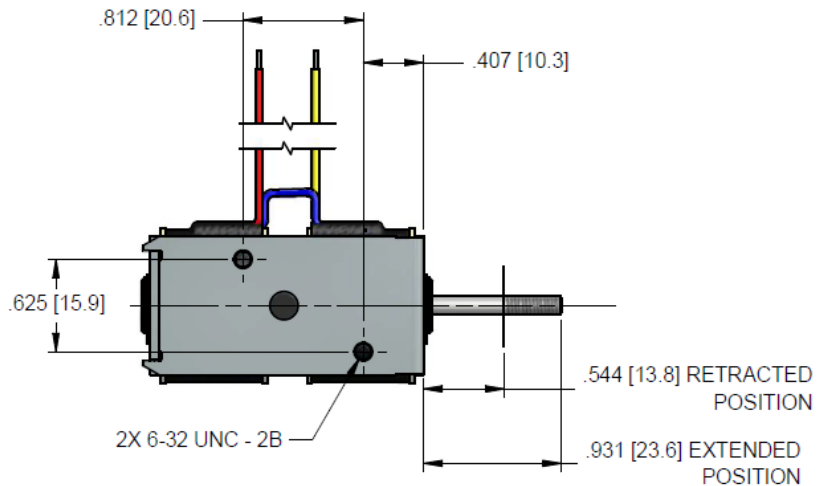
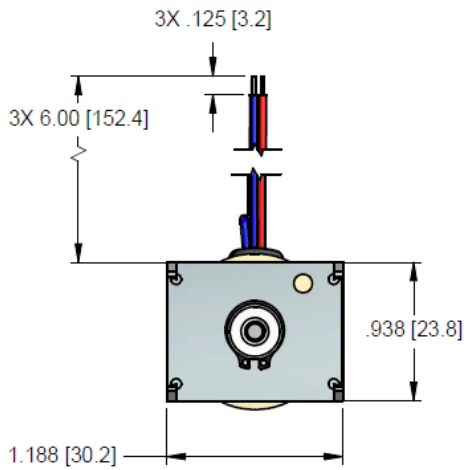
Units: Inches [mm]



SOLENOID OPERATION:
BLUE LEAD TO GROUND (-)
RED LEAD TO (+) XX VDC WILL RETRACT PUSHROD.
YELLOW LEAD TO (+) XX VDC WILL EXTEND PUSHROD.

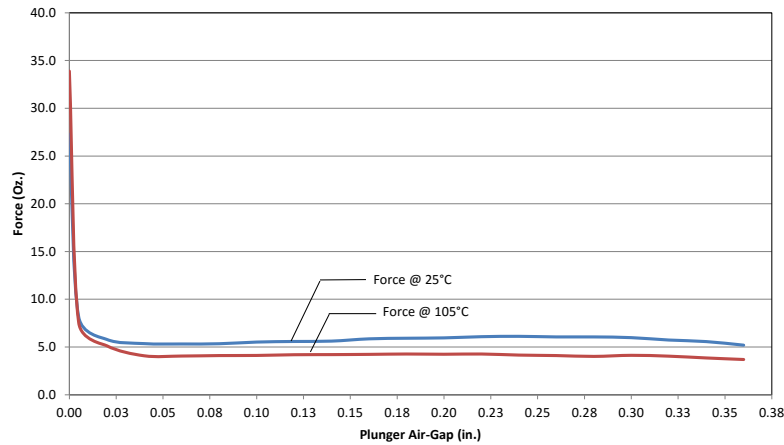


UNLESS OTHERWISE SPECIFIED
INCHES ± .015
(MILLIMETERS 0.38)

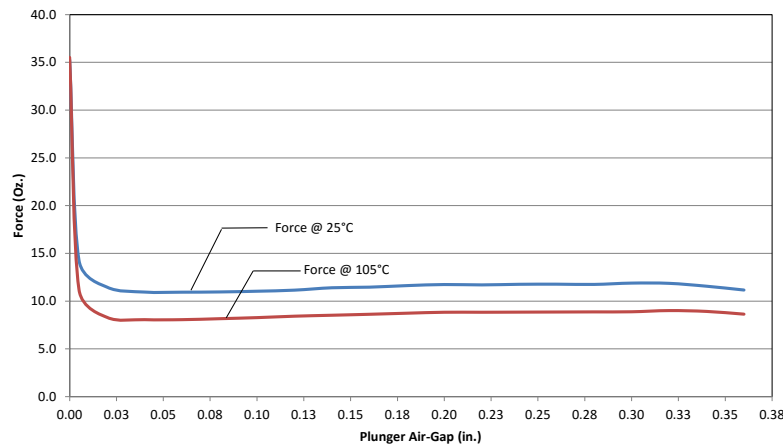


Force Curves

Intermittent Duty Solenoid



Pulse Duty Solenoid



Solenoid Forces apply in both Push/Pull directions

Standard Part Numbers

Parts No.	Voltage	Duty Cycle	Power	Resistance (Ohms)	Operation	Typical Force oz [N] 100% Voltage, 77°F [25°C], Stroke @				
						0.000"	0.100"	0.200"	0.300"	0.380"
53804-87	12 VDC	Intermittent	15W	10	Push/Pull	36	19	19	19	19
53804-88	24 VDC			40		[10]	[5.3]	[5.3]	[5.3]	[5.3]
53804-93	12 VDC	Pulse	58W	2.5		36	39	39	39	39
53804-94	24 VDC			10		[10]	[11]	[11]	[11]	[11]

(*) Normally Stocked
Non stocked items require a minimum order