

# MED 16x2.000



## TUBULAR FRAME SOLENOID

Two position linear solenoid with tubular construction.



### Features

- High performance construction
- DC solenoids applications only
- Standard push and pull versions available
- UL approval on many models



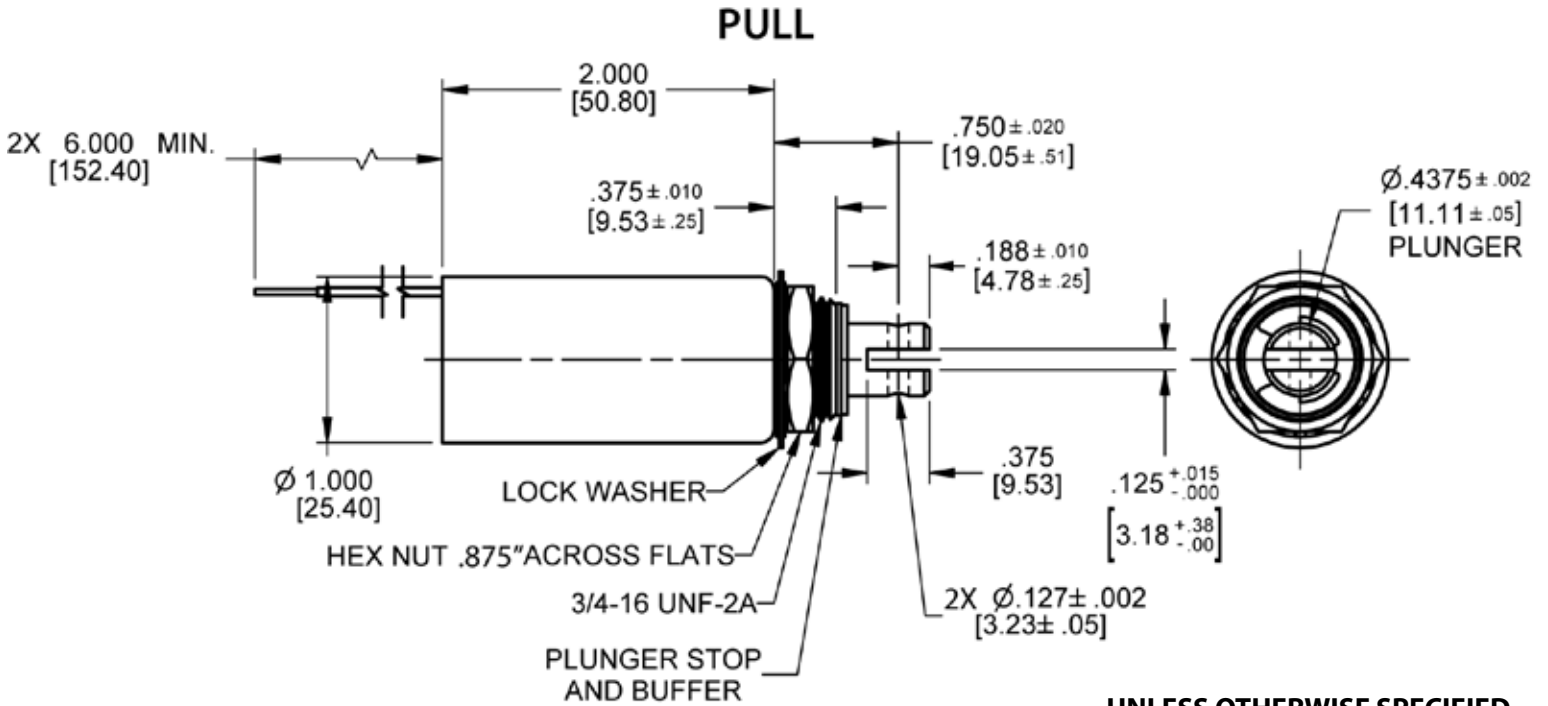
Electrical Specifications	
Coil Voltages	6, 12, 24, 115 VDC
Coil Power	10 Watts Continuous, 24 Watts Intermittent, 96 Watts Pulse
Coil Termination	Wire leads 24 AWG (standard)
Duty Cycle	Continuous, intermittent and pulse (see standard part numbers on page 4)
Coil Treatment	Tape wrapped
Insulation Class	Class A Rating - 105°C (221°F) Max.
Dielectric Strength	30 Volts and Under: 500 VRMS Over 30 Volts: 1000 VRMS plus 2X rated voltage for 1 minute
Mechanical Specifications	
Size	2.000" [50.8] (L) x Ø 1.000" [25.4] (D)
Forces	See force curves on page 3
Plunger Diameter	Ø 0.4375" [11.1]
Plunger Guide Material	Plastic
Mounting	0.875" [22.2] Hex Nut
Weight	Plunger - 1.5 oz [42.5 gms], Total - 6.5 oz [184.3 gms]
Life Expectancy	250,000 Cycles (Dependent on load conditions)
Agency Approvals	
	UL File No. E57982 For Continuous Duty UL File No. E74443 For Insulation Systems S105

Dimensions: inches [mm]

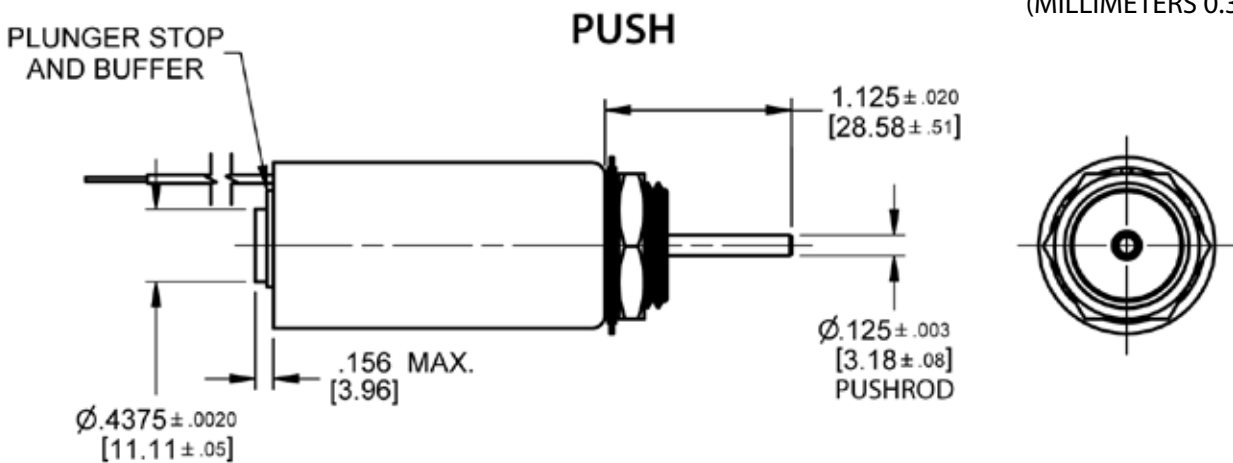
# MED 16x2.000

## Dimensional View

Units: Inches [mm]

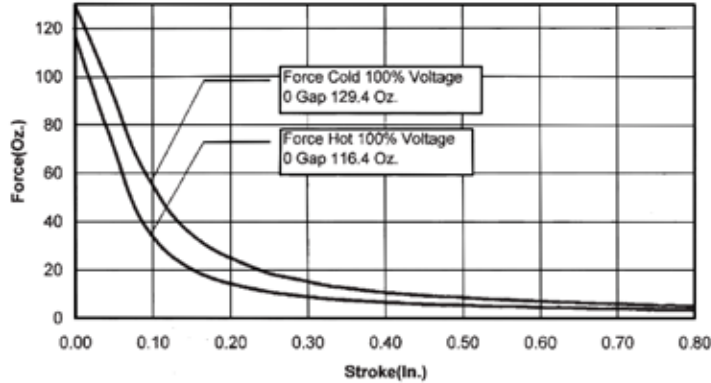


**UNLESS OTHERWISE SPECIFIED**  
INCHES ± .015  
(MILLIMETERS 0.38)

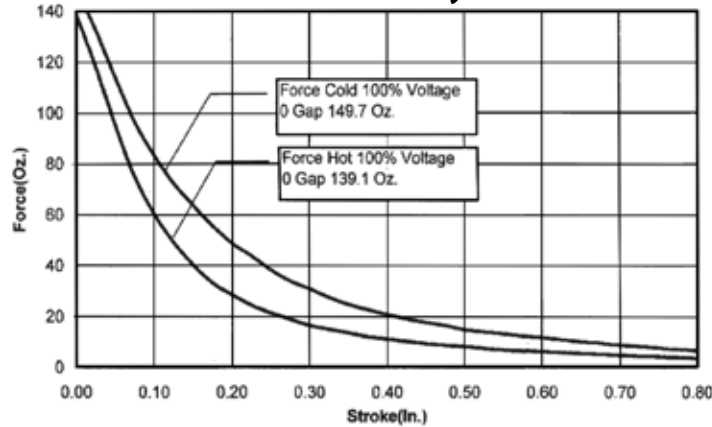


## Force Curves

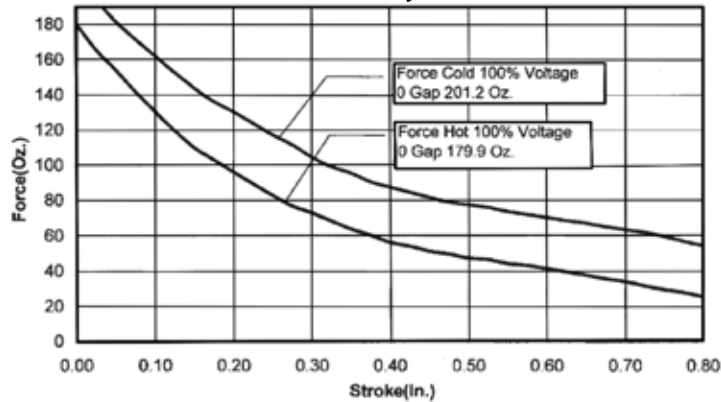
### DC Continuous Duty - 10 Watts



### DC Intermittent Duty - 24 Watts



### DC Pulse Duty - 96 Watts



Standard intermittent duty cycle at nominal voltage is one (1) minute "ON" and three (3) minutes "OFF". Standard pulse duty cycle is 100 milliseconds "ON" and 900 milliseconds "OFF".

Note:

Cold Force @ 25°C (77°F) Cold Temperature

Hot Force @ 130°C (266°F) Coil Temperature

Approx. 36 sq. in. Heat Sink Required

# MED 16x2.000



## Standard Part Numbers

Parts No.	Voltage	Duty Cycle	Power	Resistance (Ohms)	Operation	Typical Force oz [N] 100% Voltage, 77°F [25°C], Stroke @				
						0.000"	0.125"	0.250"	0.500"	0.750"
53753-80	6 VDC	Continuous	10 Watts	3.8	Pull	129 [35.9]	42 [11.7]	18 [5.0]	8 [2.2]	5 [1.4]
53757-80	6 VDC			3.8	Push					
53753-81*	12 VDC			15	Pull					
53757-81*	12 VDC			15	Push					
53753-82*	24 VDC			60	Pull					
53757-82*	24 VDC			60	Push					
53753-84	115 VDC			1500	Pull					
53757-84	115 VDC			1500	Push					
53753-86	6 VDC	Intermittent	24 Watts	1.5	Pull	149 [41.4]	72 [20.0]	36 [10.0]	15 [4.2]	8 [2.2]
53757-86	6 VDC			1.5	Push					
53753-87*	12 VDC			6	Pull					
53757-87*	12 VDC			6	Push					
53753-88*	24 VDC			24	Pull					
53757-88*	24 VDC			24	Push					
53753-90	115 VDC			600	Pull					
53757-90	115 VDC			600	Push					
53753-92	6 VDC	Pulse	96 Watts	0.37	Pull	201 [55.9]	150 [41.7]	115 [32.0]	77 [21.4]	60 [16.7]
53757-92	6 VDC			0.37	Push					
53753-93	12 VDC			1.5	Pull					
53757-93	12 VDC			1.5	Push					
53753-94	24 VDC			6	Pull					
53757-94	24 VDC			6	Push					
53753-96	115 VDC			150	Pull					
53757-96	115 VDC			150	Push					

(\*) Normally Stocked

Non stocked items require a minimum order