

MED 24x2.400

TUBULAR FRAME SOLENOID

Two position linear solenoid with tubular construction.



Features

- High performance construction
- DC solenoids applications only
- Standard push and pull versions available
- UL approval on many models



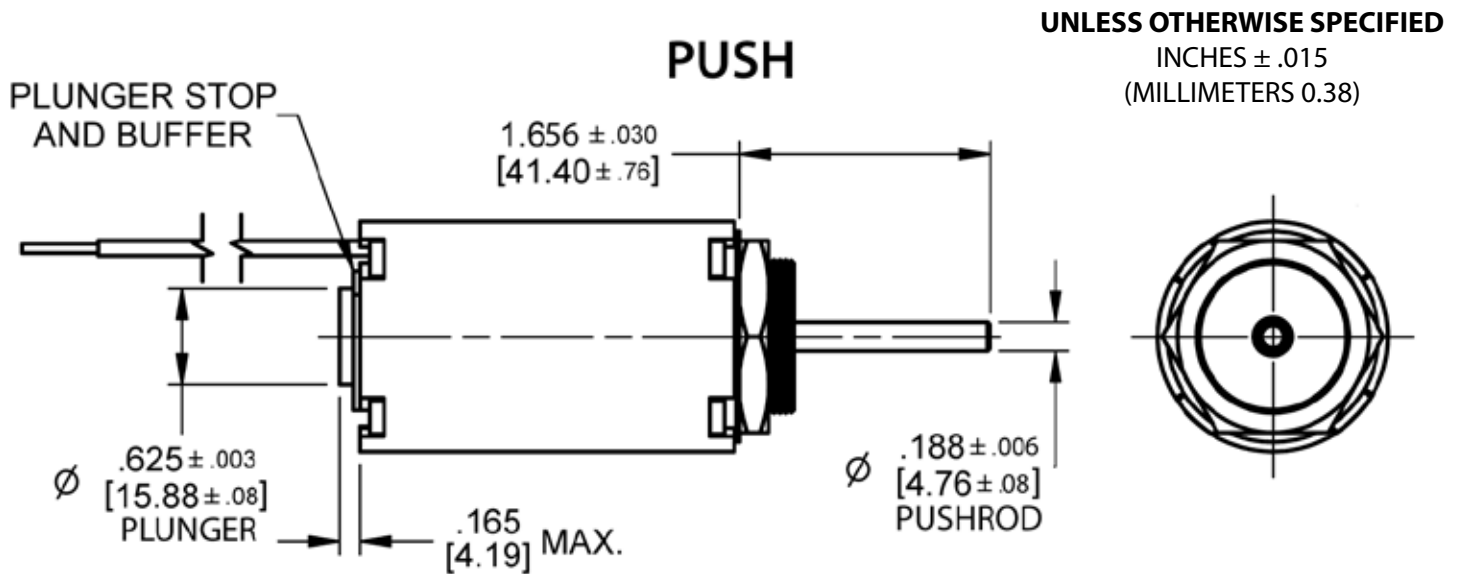
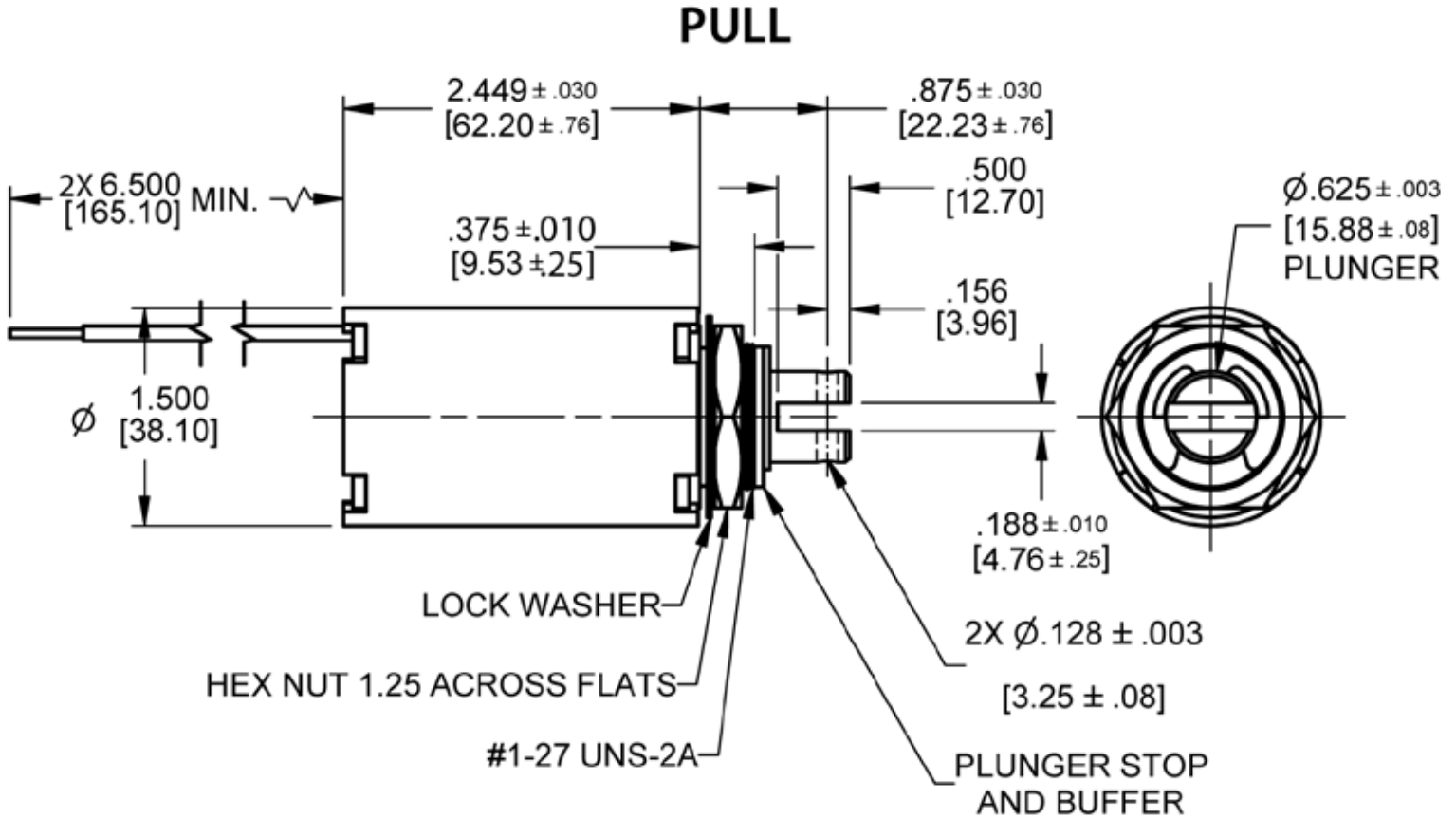
Electrical Specifications	
Coil Voltages	6, 12, 24, 110 VDC
Coil Power	14 Watts Continuous, 40 Watts Intermittent, 140 Watts Pulse
Coil Termination	Wire leads 20 AWG (standard)
Duty Cycle	Continuous, intermittent, pulse (See standard part numbers on page 4)
Coil Treatment	Tape Wrapped
Insulation Class	Class B Rating - 130°C (265°F) Max.
Dielectric Strength	30 Volts and Under: 500 VRMS Over 30 Volts: 1000 VRMS plus 2X rated voltage for 1 minute
Mechanical Specifications	
Size	2.400" [61.0] (L) x Ø 1.500" [38.1] (D)
Forces	See force curves on page 3
Plunger Diameter	Ø 0.625" [15.9]
Plunger Guide Material	Brass
Mounting	1.250" [31.8] Hex Nut
Weight	Plunger - 3.7 oz [104.9 gms], Total - 15.1 oz [428.1 gms]
Life Expectancy	250,000 Cycles (Dependent on load conditions)
Agency Approvals	
	UL File No. E57982 For Continuous Duty UL File No. E74443 For Insulation Systems S130

Dimensions: inches [mm]

MED 24x2.400

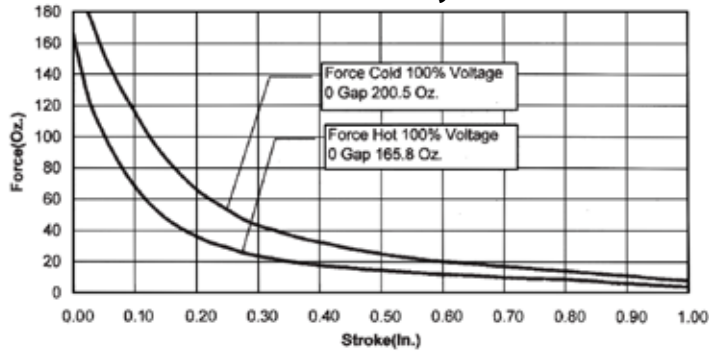
Dimensional View

Units: Inches [mm]

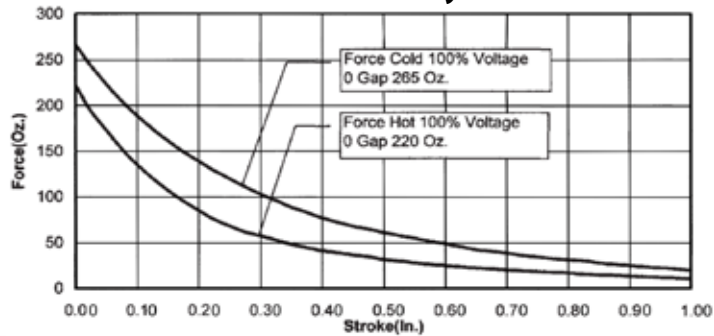


Force Curves

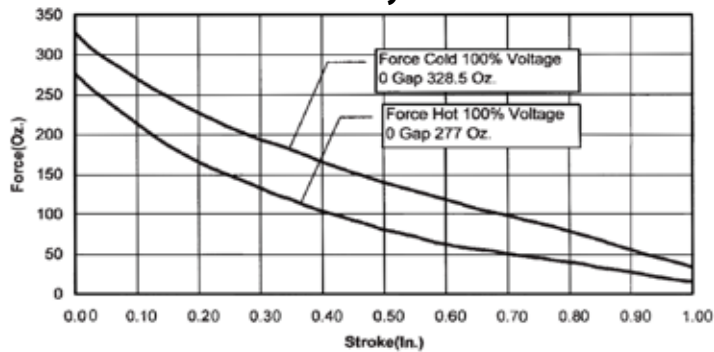
DC Continuous Duty - 14 Watts



DC Intermittent Duty - 40 Watts



DC Pulse Duty - 140 Watts



Standard intermittent duty cycle at nominal voltage is one (1) minute "ON" and three (3) minutes "OFF". Standard pulse duty cycle is 100 milliseconds "ON" and 900 milliseconds "OFF".

Note:

Cold Force @ 25°C (77°F) Cold Temperature

Hot Force @ 130°C (266°F) Coil Temperature

Approx. 36 sq. in. Heat Sink Required

Standard Part Numbers

Parts No.	Voltage	Duty Cycle	Power	Resistance (Ohms)	Operation	Typical Force oz [N] 100% Voltage, 77°F [25°C], Stroke @				
						0.000"	0.125"	0.250"	0.500"	0.750"
53795-80	6 VDC	Continuous	14 Watts	2.57	Pull	200 [55.6]	100 [27.8]	52 [14.5]	25 [7.0]	17 [4.7]
53796-80	6 VDC			2.57	Push					
53795-81*	12 VDC			10.3	Pull					
53796-81	12 VDC			10.3	Push					
53795-82*	24 VDC			41.1	Pull					
53796-82	24 VDC			41.1	Push					
53795-83	110 VDC			864	Pull					
53796-83	110 VDC			864	Push					
53795-84	6 VDC	Intermittent	40 Watts	0.9	Pull	265 [73.7]	175 [48.7]	120 [33.4]	63 [17.5]	35 [9.7]
53796-84	6 VDC			0.9	Push					
53795-85*	12 VDC			3.6	Pull					
53796-85	12 VDC			3.6	Push					
53795-86*	24 VDC			14.4	Pull					
53796-86	24 VDC			14.4	Push					
53795-87	110 VDC			302.5	Pull					
53796-87	110 VDC			302.5	Push					
53795-88	12 VDC	Pulse	140 Watts	1.03	Pull	328 [91.2]	262 [72.8]	210 [58.4]	140 [38.9]	85 [23.6]
53796-88	12 VDC			1.03	Push					
53795-89	24 VDC			4.11	Pull					
53796-89	24 VDC			4.11	Push					
53795-90	110 VDC			86.4	Pull					
53796-90	110 VDC			86.4	Push					

(*) Normally Stocked

Non stocked items require a minimum order