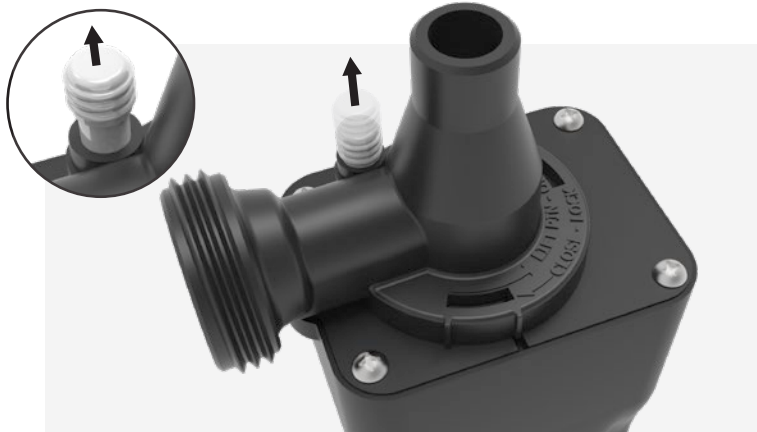
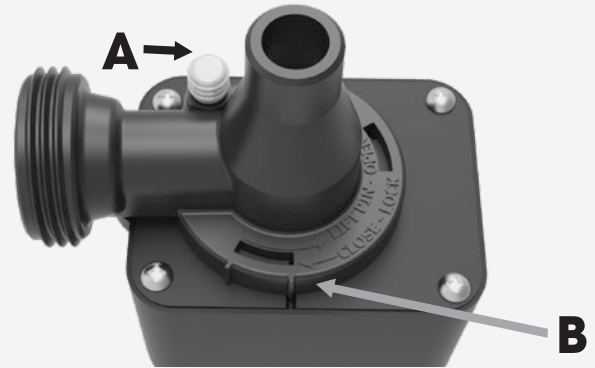


CLEANING THE DEVICE

MAINTENANCE GUIDE

- Ensure server is empty prior to removing valve.
- Do not disassemble valve while it is attached to server.
- Do not submerge or pour water over electrical housing.

EXAMINE THE UNDERSIDE OF THE VALVE
Note the location of (A) spring loaded pull pin and (B) alignment marks.



STEP 1: LIFT PIN. WHILE PIN IS HELD UP YOU WILL BE ABLE TO ROTATE VALVE BODY

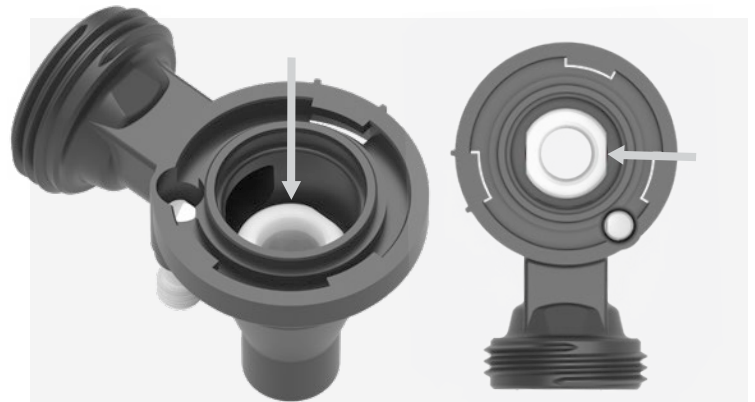


STEP 2: ROTATE VALVE BODY COUNTER CLOCKWISE TO REMOVE VALVE BODY



STEP 3: REMOVE VALVE BODY
(Spring pin returns to normal position)

- Valve seal assembly is removable. **Do not** remove spring from stainless steel core.
- Silicone seal can be rinsed clean or replaced if necessary.



NOTE: CARE MUST BE TAKEN TO NOT DAMAGE VALVE SEAT
(Use a soft, non-abrasive cloth to clean)

PREPARATION TIPS:

Prepare a fresh bleach solution each day in a well-ventilated area that is separate from children.

Label bottles of bleach solution with contents, ratio and date mixed.

Use cool water. Always add bleach to cool water, **NOT** water to bleach.

Wear gloves and eye protection.

Prepare solution in an area with an eye wash.



STEP 4: CLEAN COMPONENTS (EXCLUDING ELECTRICAL HOUSING)

- Clean the surface with soap and water before disinfecting or sanitizing.
- Rinse with clean water & dry with paper towel.
- Apply chlorine bleach and water solution to the entire area to be disinfected or sanitized.
- Air dry for at least 2 hours.

SANITIZING SOLUTIONS			
WATER	BLEACH STRENGTH*		
	2.75%	5.25-6.25%	8.25%
1 Gallon	1 Tablespoon	2 Teaspoons	1 Teaspoon
1 Quart	1 Teaspoon	1/2 Teaspoon	1/4 Teaspoon

*Use only plain unscented bleach that lists the percent (%) strength on the manufacturer's label. Read the label on the bleach bottle to determine the bleach strength.



STEP 5: WIPE DOWN ELECTRICAL HOUSING WITH A WARM, DAMP CLOTH



STEP 6: PLACE SEAL SPRING ASSEMBLY INTO ELECTRICAL HOUSING



STEP 7: PLACE VALVE BODY ONTO ELECTRICAL HOUSING, AS SHOWN (spring pin will rise 4mm)

- Once the valve body is aligned in the correct position, rotate clockwise and the pin will spring back to its original position.



STEP 8: BEFORE FILLING

- The valve should be operated at least once to reseal the seal before filling server with liquid. This should be done using normal sensor activation or the manual button after reassembly.



SCAN QR CODE to learn more or to order replacement parts

- Remember to inspect/clean regularly to ensure optimal performance.