



D-FRAME SOLENOID

Two position linear solenoid with D-frame construction.

Features

- Balance of cost and performance
- DC solenoids available

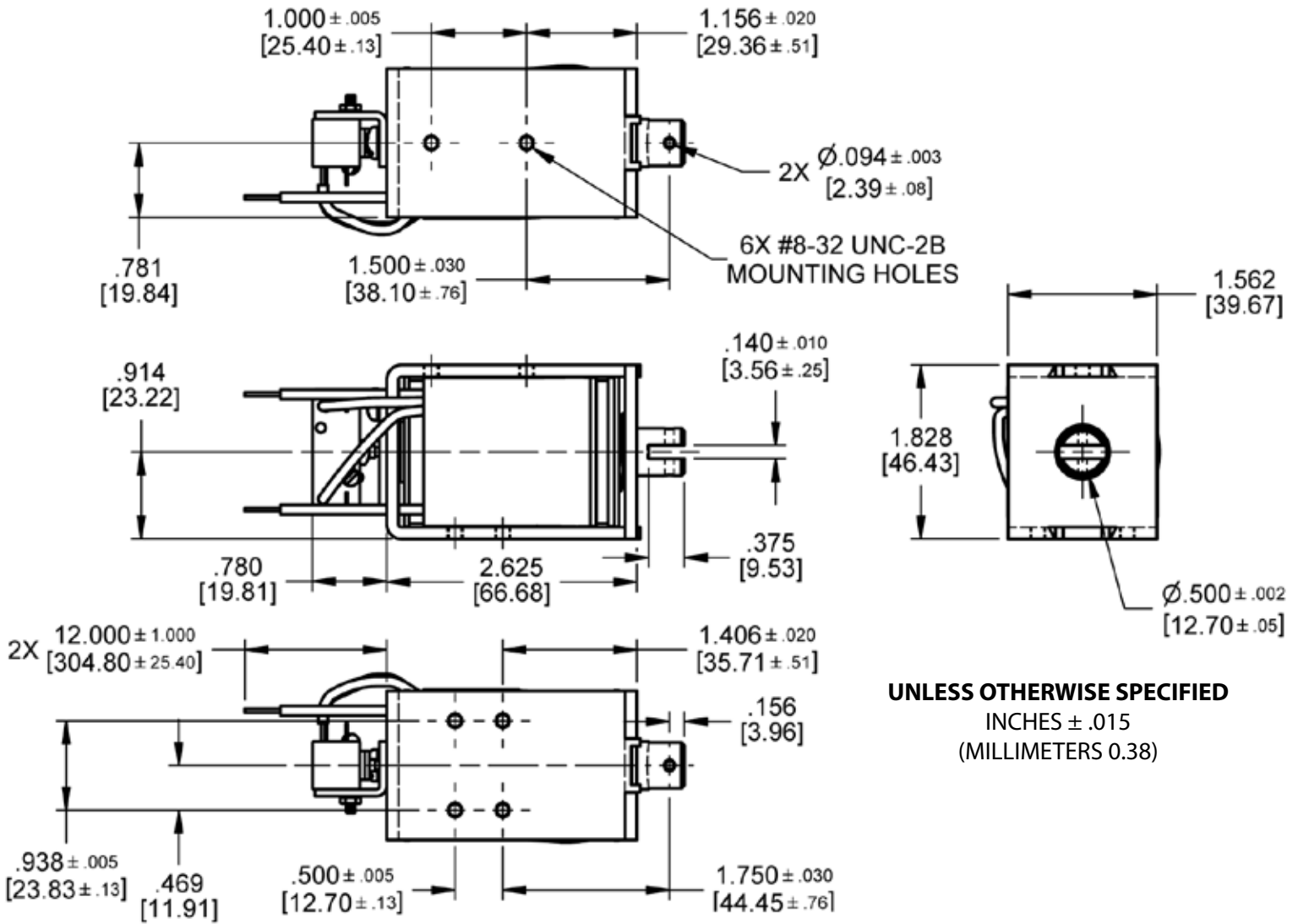
Electrical Specifications	
Coil Voltages	6, 12, 24, 28, 32, 36, 48, 90, 115 VDC
Coil Power	150 Watts Continuous
Coil Termination	Wire leads (standard)
Duty Cycle	Continuous
Coil Treatment	Tape Wrapped
Insulation Class	Class A Rating - 105°C (221°F) Max. (standard)
Dielectric Strength	30 Volts and Under: 500 VRMS Over 30 Volts: 1000 VRMS plus 2X rated voltage for 1 minute
Mechanical Specifications	
Size	2.625" [66.7] (L) x 1.562" [39.7] (W) x 1.828" [46.4] (H) (See page 2 for dimensional drawing)
Forces	See force curves on page 2
Plunger Diameter	Ø 0.500" [12.7]
Plunger Guide Material	Brass
Mounting	6X #8-32 UNC-2B Mount Holes
Weight	Plunger - 1.9 oz [53.9 gms], Total - 19.0 oz [538.7 gms]
Life Expectancy	250,000 Cycles (Dependent on load conditions)
Agency Approval	

Dimensions: inches [mm]

PS-75

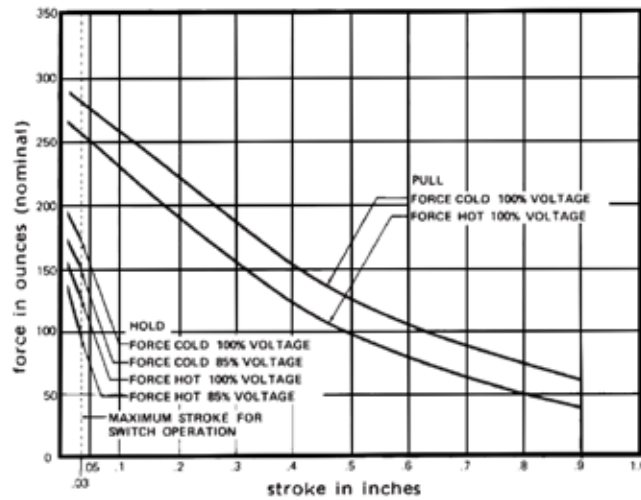
Dimensional View

Units: Inches [mm]



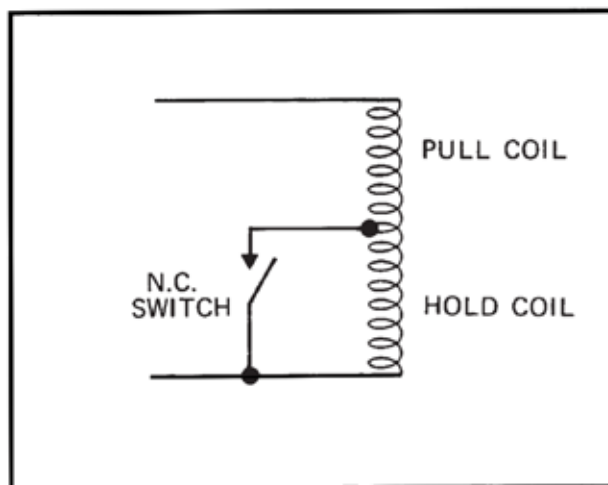
UNLESS OTHERWISE SPECIFIED
INCHES ± .015
(MILLIMETERS 0.38)

Force Curve



Schematic

(With plunger at 0 stroke)



Standard Part Numbers

Parts No.	Voltage	Duty Cycle	Power	Resistance (Ohms)	Operation	Typical Force oz [N] 100% Voltage, 77°F [25°C], Stroke @				
						0.000"	0.125"	0.250"	0.500"	0.750"
51073-80	6 VDC	Continuous	150 Watt	0.24 Pull 2.75 Hold	Pull	200 [55.6]	250 [69.5]	205 [57.0]	125 [34.8]	80 [22.2]
51073-81*	12 VDC			0.96 Pull 11 Hold						
51073-83*	24 VDC			3.84 Pull 44.2 Hold						
51073-85	28 VDC			5.2 Pull 60 Hold						
51073-87	32 VDC			6.8 Pull 78.6 Hold						
51073-88	36 VDC			8.6 Pull 99 Hold						
51073-89	48 VDC			15.4 Pull 176.6 Hold						
51073-90	90 VDC			54 Pull 620 Hold						
51073-93	115 VDC			88 Pull 1020 Hold						

(*) Normally Stocked

Non stocked items require a minimum order